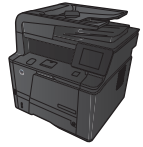


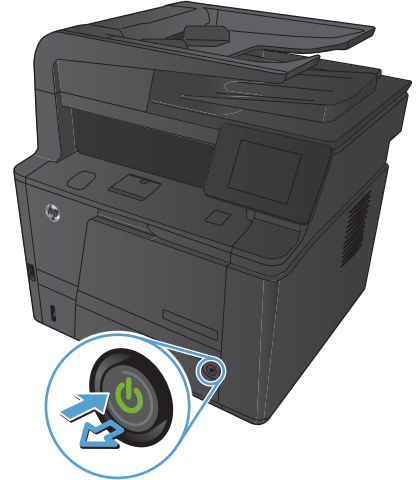


# LASERJET PRO 400 MFP M425 SERIES

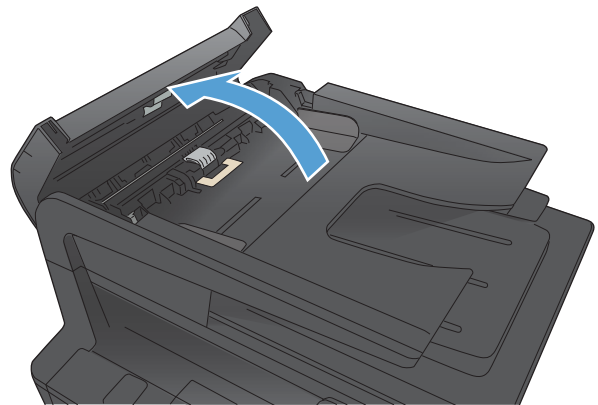


## Clear jams from the document feeder

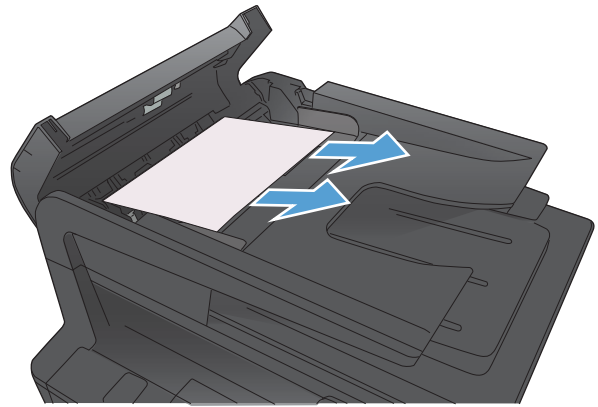
1. Turn the product off.



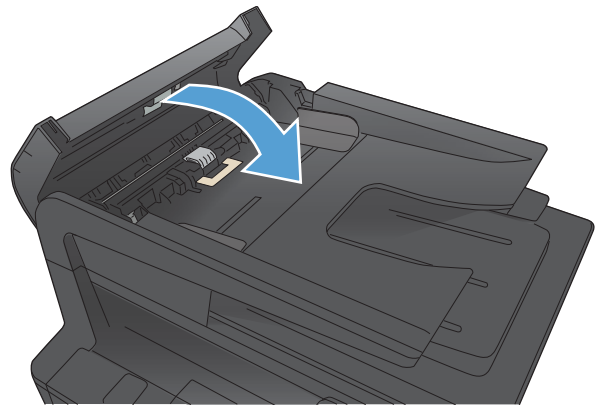
2. Open the document feeder cover.



3. Gently pull the jammed paper out.



4. Close the document feeder roller assembly, and then close the document feeder cover.



5. Open the scanner lid. If paper is jammed in the scanner lid, gently pull it out.

