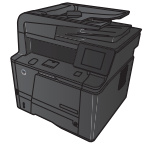




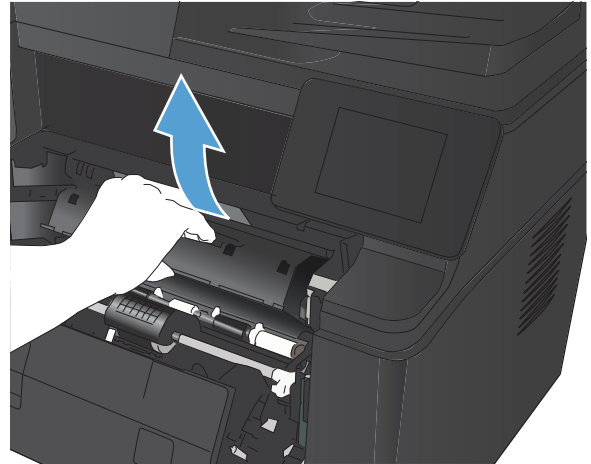
LASERJET PRO 400 MFP M425 SERIES



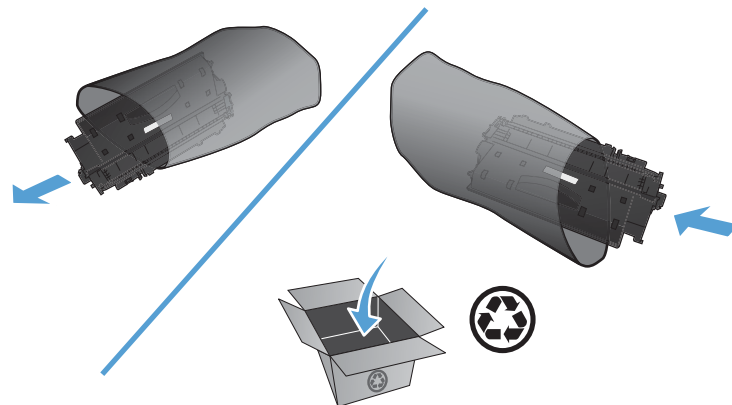
Change the toner cartridge

When a toner cartridge approaches the end of useful life, you are prompted to order a replacement. You can continue printing with the current cartridge until redistributing the toner no longer yields acceptable print quality.

1. Open the toner cartridge door, and then remove the toner cartridge.

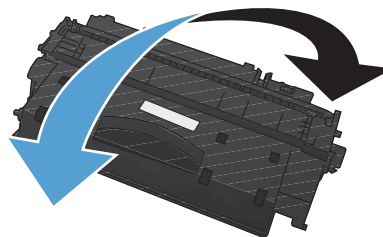


2. Remove the new toner cartridge from the bag. Place the used toner cartridge in the bag for recycling.

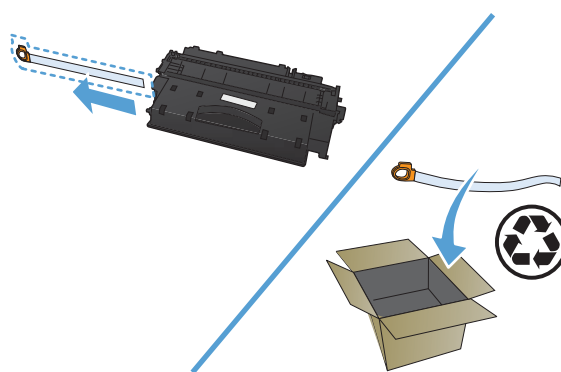


3. Grasp both sides of the toner cartridge and distribute the toner by gently rocking the cartridge.

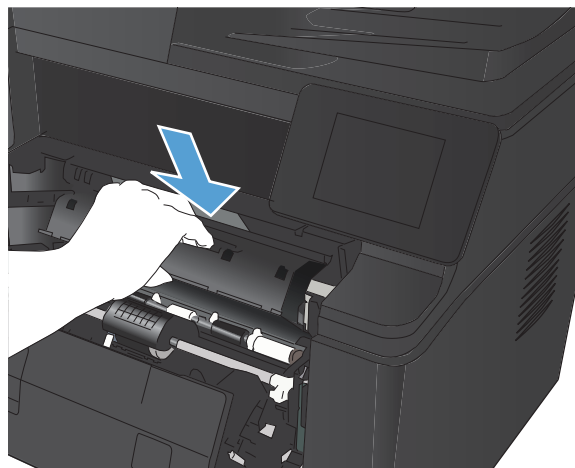
CAUTION: Do not touch the shutter or the surface of the roller.



4. Bend the tab on the left side of the cartridge until the tab breaks loose. Pull the tab until all the tape is removed from the cartridge. Place the tab and tape in the toner cartridge box to return for recycling.



5. Align the toner cartridge with the tracks inside the product, insert the toner cartridge until it is firmly seated, and then close the toner cartridge door.



6. Installation is complete. Place the used toner cartridge in the box in which the new cartridge arrived. See the enclosed recycling guide for recycling instructions.