

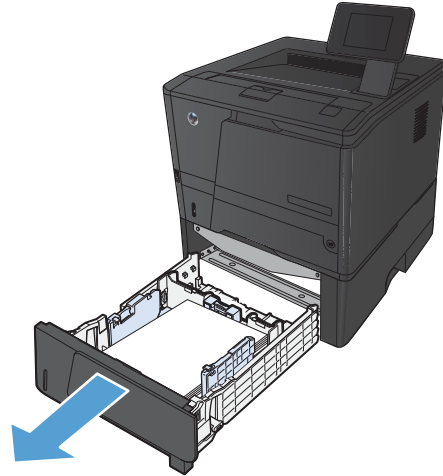


# LASERJET PRO 400 M401 PRINTER SERIES

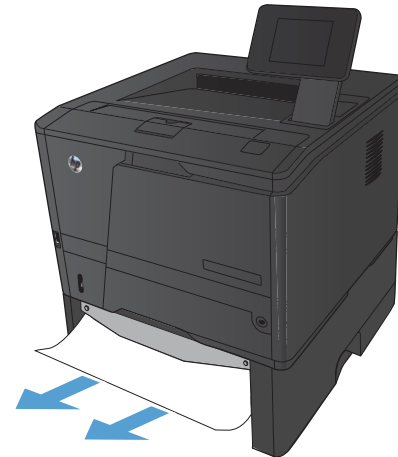


## Clear a jam in optional Tray 3

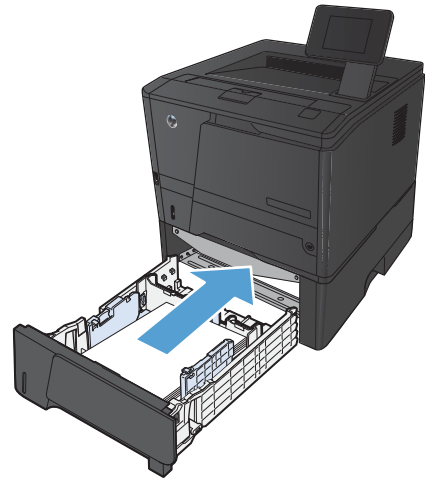
1. Remove the tray from the product.



2. Remove the jammed sheet by pulling it straight out.



3. Replace the tray.



4. Press the OK button to continue printing.