

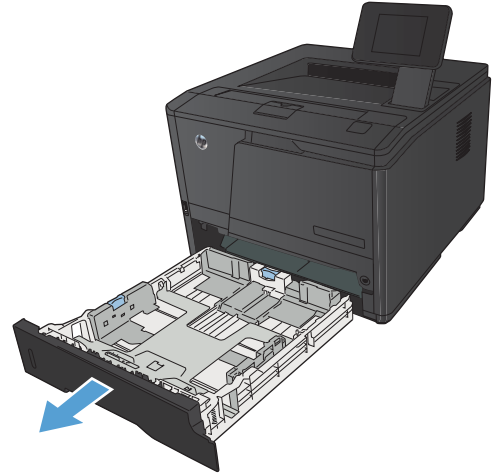


LASERJET PRO 400 M401 PRINTER SERIES

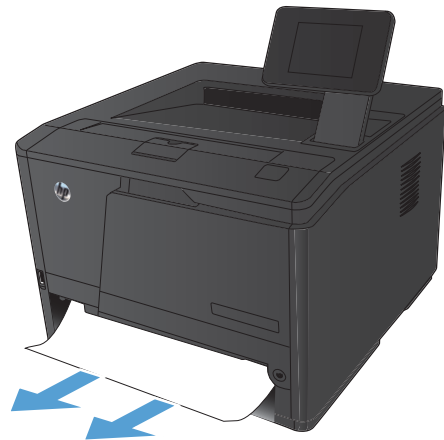


Clear a jam in Tray 2

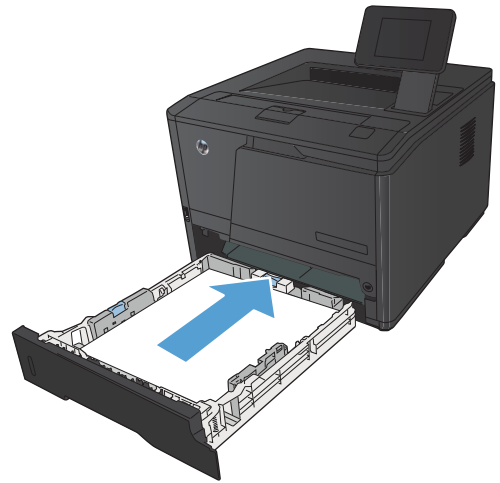
1. Remove the tray from the product.



2. Remove the jammed sheet by pulling it straight out.



3. Replace the tray.



4. Press the **OK** button to continue printing.