




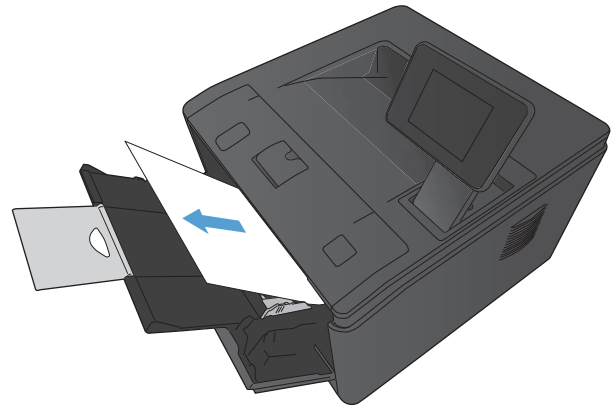
LASERJET PRO 400 M401 PRINTER SERIES



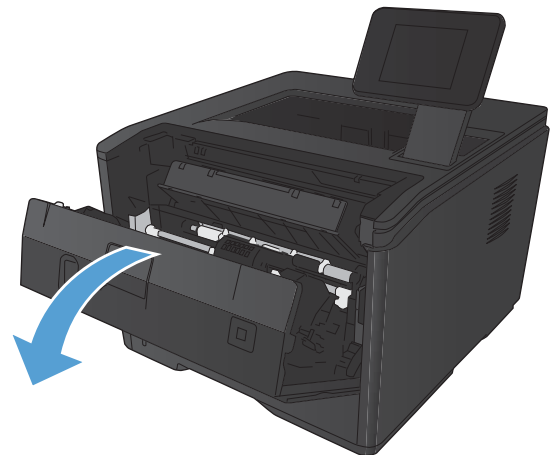
Clear a jam in Tray 1

 **NOTE:** If the sheet tears, remove all fragments before resuming printing.

1. If you can see the jammed sheet, remove the jammed sheet by pulling it straight out.

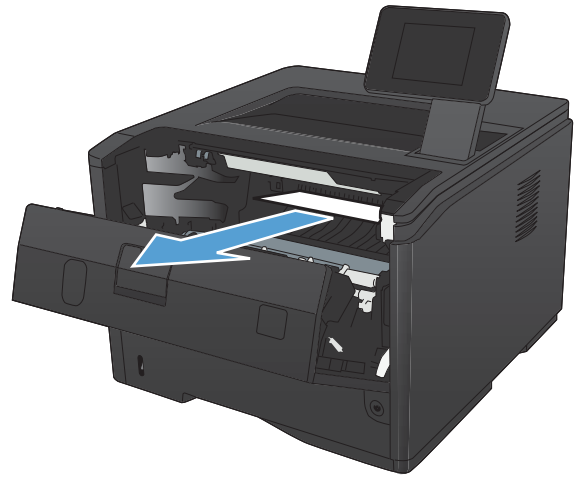


2. If you cannot see the jammed sheet, open the print cartridge door, and then remove the print cartridge.



3. Remove the jammed sheet by pulling it straight out.

CAUTION: Do not pull up on the jammed sheet. Be sure to pull it straight out.



4. Reinstall the print cartridge, and then close the print cartridge door.

