



LaserJet Managed MFP E82540, E82550, E82560

How to replace the toner cartridge

The printer Supplies Status Page indicates when the toner cartridge level is low. The actual cartridge life remaining can vary. The cartridge does not need to be replaced at this time. Consider having a replacement cartridge available to install when print quality is no longer acceptable.

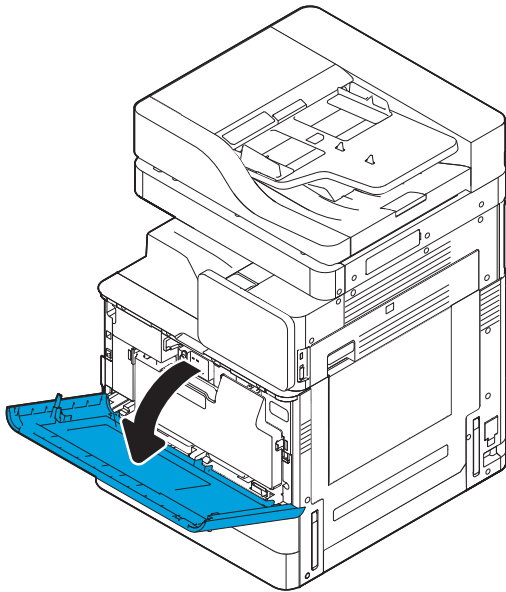
Table 1 Toner cartridge information

| Item | Part number |
|-------------------------------------|-------------|
| HP Black Managed LJ Toner Cartridge | W9014MC |

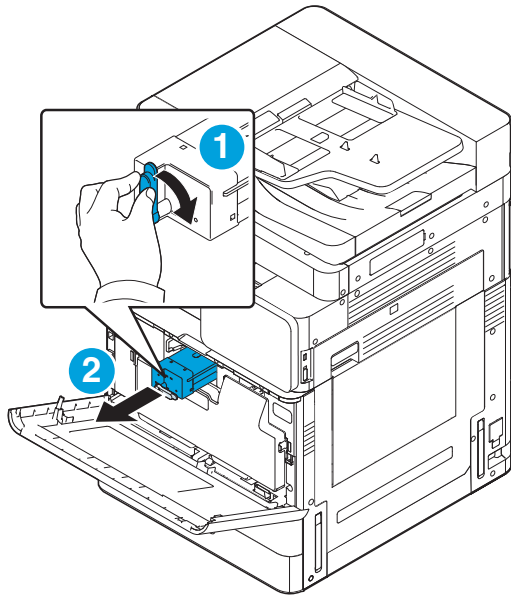
Do not remove the cartridge from its package until you are ready to use it.

 **NOTE:** Information about recycling used toner cartridges is included on the cartridge box and in the recycling guide inside the box.

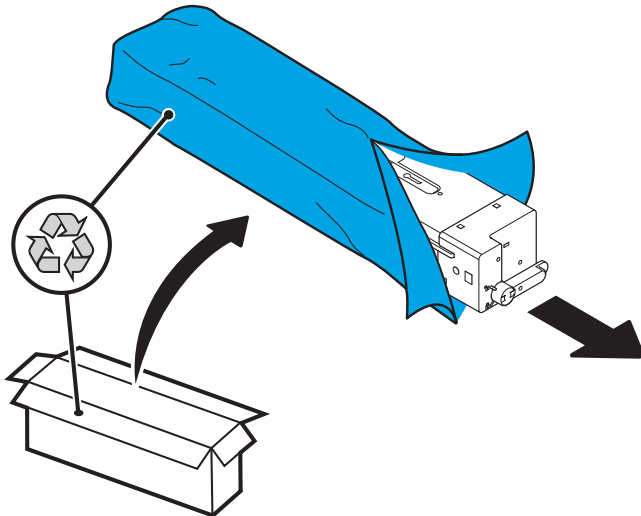
1. Open the front door of the printer.




2. Rotate the cartridge lever down, and then pull the used cartridge straight out to remove it.

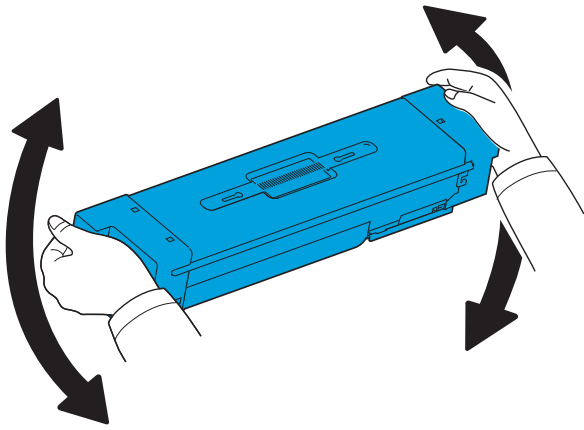


3. Remove the new cartridge from the packaging.

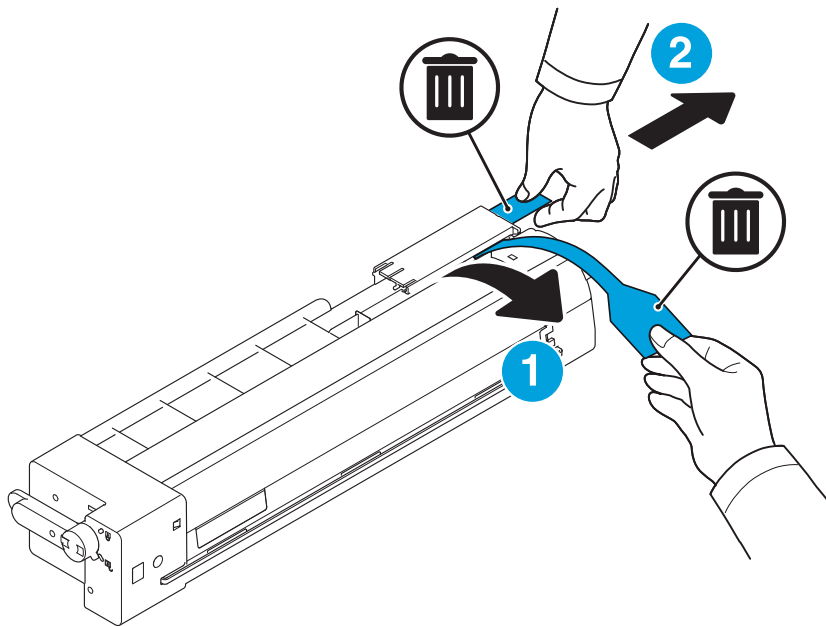


 **NOTE:** Save all packaging for recycling the used cartridge.

4. Hold both ends of the cartridge and rock it 5 or 6 times to evenly distribute the toner that is inside.

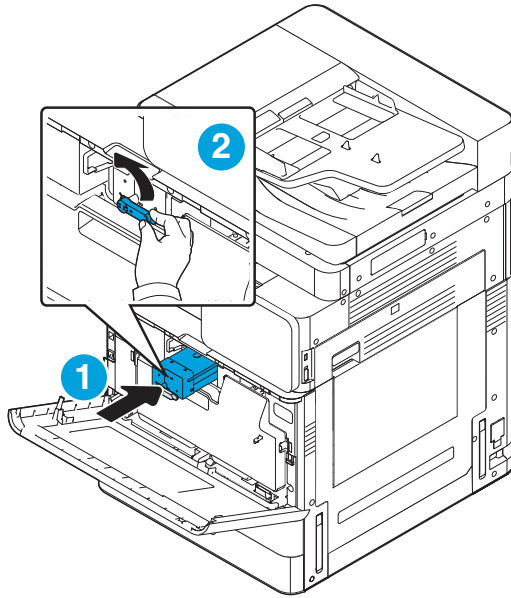


5. Pull the sealing tapes out of the cartridge and discard the tapes.

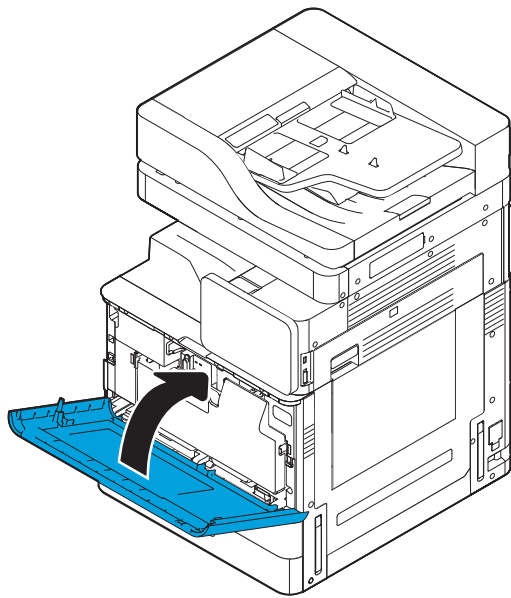


CAUTION: If toner gets on clothing, wipe it off by using a dry cloth and wash the clothes in cold water. Hot water sets toner into fabric.

6. Hold the cartridge and align it with the corresponding slot inside the printer. Insert the cartridge into its slot until it locks in place, and then rotate the cartridge lever up.



7. Close the front door.



 **NOTE:** If the front door is not closed completely, the printer will not operate.