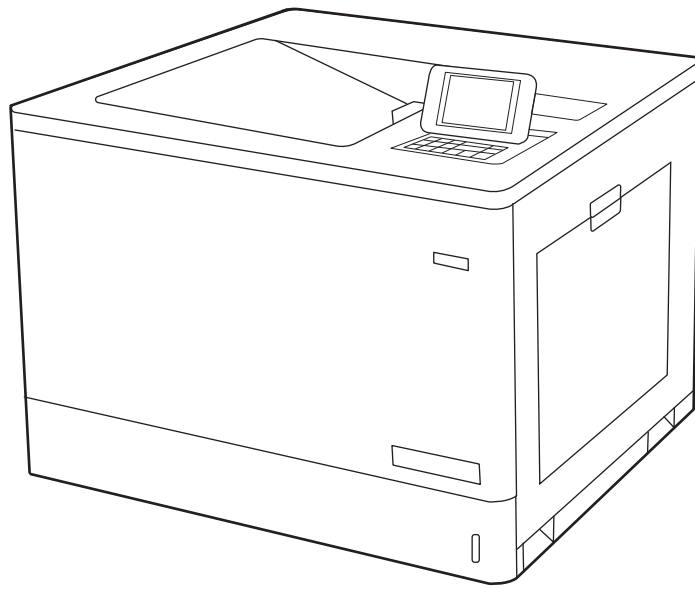




Color LaserJet Managed E75245

User Guide



www.hp.com/videos/LaserJet
www.hp.com/support/colorljE75245



HP Color LaserJet Managed E75245

User Guide

Copyright and License

© Copyright 2019 HP Development Company, L.P.

Reproduction, adaptation, or translation without prior written permission is prohibited, except as allowed under the copyright laws.

The information contained herein is subject to change without notice.

The only warranties for HP products and services are set forth in the express warranty statements accompanying such products and services. Nothing herein should be construed as constituting an additional warranty. HP shall not be liable for technical or editorial errors or omissions contained herein.

Edition 1, 4/2019

Trademark Credits

Adobe®, Adobe Photoshop®, Acrobat®, and PostScript® are trademarks of Adobe Systems Incorporated.

Apple and the Apple logo are trademarks of Apple Inc., registered in the U.S. and other countries.

macOS is a trademark of Apple Inc., registered in the U.S. and other countries.

AirPrint is a trademark of Apple Inc., registered in the U.S. and other countries.

Google™ is a trademark of Google Inc.

Microsoft®, Windows®, Windows® XP, and Windows Vista® are U.S. registered trademarks of Microsoft Corporation.

UNIX® is a registered trademark of The Open Group.

Table of contents

1 Printer overview	1
Warning icons	2
Potential shock hazard	3
Printer views	4
Printer front view	4
Printer back view	5
Interface ports	6
Control-panel view	7
Printer specifications	9
Technical specifications	9
Supported operating systems	11
Printer dimensions	13
Power consumption, electrical specifications, and acoustic emissions	15
Operating-environment range	15
Printer hardware setup and software installation	16
2 Paper trays	17
Introduction	18
Load paper to Tray 1 (multipurpose tray)	18
Introduction	18
Tray 1 paper orientation	20
Use alternative letterhead mode	24
Enable Alternative Letterhead Mode by using the printer control-panel menus	24
Load paper to Tray 2	25
Introduction	25
Tray 2 paper orientation	27
Use Alternative Letterhead Mode	30
Enable Alternative Letterhead Mode by using the printer control-panel menus	30
Load paper to the 550-sheet paper tray	31
Introduction	31
550-sheet paper tray paper orientation	34
Use alternative letterhead mode	37

Enable Alternative Letterhead Mode by using the printer control-panel menus	37
Load paper to the 2 x 550-sheet paper trays	38
Introduction	38
2 x 550-sheet paper tray paper orientation	41
Use alternative letterhead mode	44
Enable Alternative Letterhead Mode by using the printer control-panel menus	44
Load paper to the 2,700-sheet high-capacity input paper trays	45
Introduction	45
2,700-sheet HCI paper tray paper orientation	47
Use alternative letterhead mode	49
Enable Alternative Letterhead Mode by using the printer control-panel menus	49
Load and print envelopes	50
Introduction	50
Print envelopes	50
Envelope orientation	50
Load and print labels	52
Introduction	52
Manually feed labels	52
Label orientation	53
3 Supplies, accessories, and parts	55
Order supplies, accessories, and parts	56
Ordering	56
Replace the toner cartridges	57
Toner-cartridge information	57
Remove and replace the cartridges	58
Replace the toner-collection unit	60
Remove and replace the toner-collection unit	60
4 Print	63
Print tasks (Windows)	64
How to print (Windows)	64
Automatically print on both sides (Windows)	64
Manually print on both sides (Windows)	65
Print multiple pages per sheet (Windows)	65
Select the paper type (Windows)	66
Additional print tasks	67
Print tasks (macOS)	68
How to print (macOS)	68
Automatically print on both sides (macOS)	68
Manually print on both sides (macOS)	68

Print multiple pages per sheet (macOS)	69
Select the paper type (macOS)	69
Additional print tasks	69
Store print jobs on the printer to print later or print privately	71
Introduction	71
Create a stored job (Windows)	71
Create a stored job (macOS)	72
Print a stored job	73
Delete a stored job	73
Delete a job that is stored on the printer	73
Change the job storage limit	73
Information sent to printer for Job Accounting purposes	74
Mobile printing	75
Introduction	75
Wi-Fi, Wi-Fi Direct Print, NFC, and BLE printing	75
HP ePrint via email	76
AirPrint	76
Android embedded printing	77
Print from a USB flash drive	78
Introduction	78
Enable the USB port for printing	78
Print USB documents	79
Print using high-speed USB 2.0 port (wired)	80
Enable the high-speed USB port for printing	80
5 Manage the printer	81
Advanced configuration with the HP Embedded Web Server (EWS)	82
Introduction	82
How to access the HP Embedded Web Server (EWS)	82
HP Embedded Web Server features	83
Information tab	83
General tab	84
Print tab	84
Supplies tab	85
Troubleshooting tab	85
Security tab	86
HP Web Services tab	86
Networking tab	86
Other Links list	88
Configure IP network settings	89
Printer sharing disclaimer	89

View or change network settings	89
Rename the printer on a network	89
Manually configure IPv4 TCP/IP parameters from the control panel	89
Manually configure IPv6 TCP/IP parameters from the control panel	90
Link speed and duplex settings	90
Printer security features	92
Introduction	92
Security statements	92
Assign or change the system password using the HP Embedded Web Server	92
IP Security	93
Encryption support: HP High Performance Secure Hard Disks	93
Lock the formatter	93
Energy-conservation settings	94
Introduction	94
Set the idle settings	94
Set the sleep timer and configure the printer to use 1 watt or less of power	94
Set the sleep schedule	95
HP Web Jetadmin	96
6 Solve problems	97
Customer support	98
Control panel help system	99
Reset factory settings	100
Introduction	100
Method one: Restore factory settings from the printer control panel	100
Method two: Restore factory settings from the HP Embedded Web Server (network-connected printers only)	100
A “Cartridge is low” or “Cartridge is very low” message displays on the printer control panel	101
Printer does not pick up paper or misfeeds	102
Introduction	102
The printer does not pick up paper	102
The printer picks up multiple sheets of paper	104
Clear paper jams	108
Introduction	108
Paper jam locations	108
Auto-navigation for clearing paper jams	109
Experiencing frequent or recurring paper jams?	109
Clear paper jams in Tray 1 (13.A1)	110
Clear paper jams in Tray 2 (13.A2)	114
Clear jams in the fuser (13.B9, 13.B2, 13.FF)	119
Clear paper jams in the output bin (13.E1)	123

Clear jams in the duplex area (13.D3)	123
Clear paper jams in the 550-sheet trays (13.A3, 13.A4)	126
Clear paper jams in the 2 x 550 paper trays (13.A4, 13.A5)	133
Clear paper jams in the 2,700-sheet high-capacity input paper trays (13.A3, 13.A4, 13.A5, 13.A7)	139
Resolve print-quality problems	145
Introduction	145
Troubleshoot print quality	145
Update the printer firmware	145
Print from a different software program	145
Check the paper-type setting for the print job	145
Check the paper type setting on the printer	146
Check the paper type setting (Windows)	146
Check the paper type setting (macOS)	146
Check toner-cartridge status	146
Print a cleaning page	147
Visually inspect the toner cartridge or cartridges	147
Check paper and the printing environment	148
Step one: Use paper that meets HP specifications	148
Step two: Check the environment	148
Step three: Set the individual tray alignment	148
Try a different print driver	149
Solve wired network problems	150
Introduction	150
Poor physical connection	150
The computer is using the incorrect IP address for the printer	150
The computer is unable to communicate with the printer	151
The printer is using incorrect link and duplex settings for the network	151
New software programs might be causing compatibility problems	151
The computer or workstation might be set up incorrectly	151
The printer is disabled, or other network settings are incorrect	151
Index	153

1 Printer overview

- [Warning icons](#)
- [Potential shock hazard](#)
- [Printer views](#)
- [Printer specifications](#)
- [Printer hardware setup and software installation](#)

For more information

The following information is correct at the time of publication.

For video assistance, see www.hp.com/videos/LaserJet.

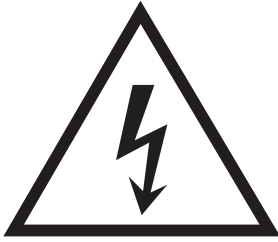
For current information, see www.hp.com/support/colorljE75245.

HP's all-inclusive help for the printer includes the following information:

- Install and configure
- Learn and use
- Solve problems
- Download software and firmware updates
- Join support forums
- Find warranty and regulatory information

Warning icons

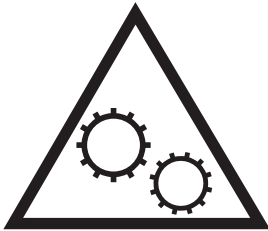
Warning icon definitions: The following warning icons may appear on HP products. Use appropriate caution where applicable.



• Caution: Electric shock



• Caution: Hot surface



• Caution: Keep body parts away from moving parts



• Caution: Sharp edge in close proximity

Potential shock hazard

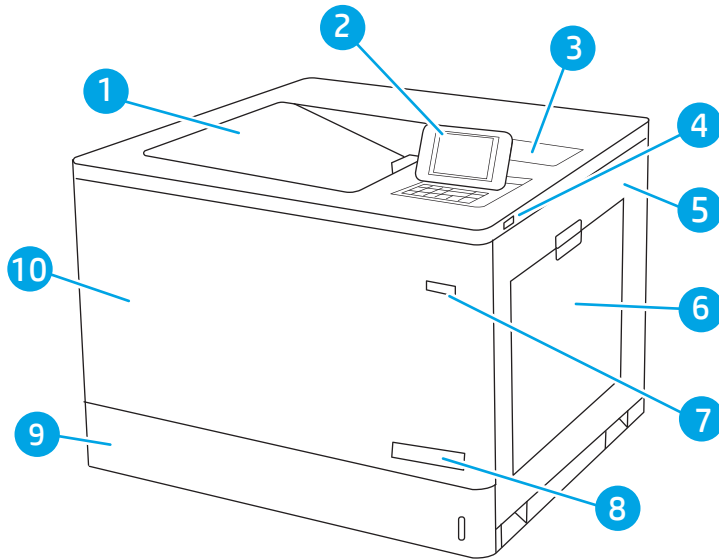
Always follow basic safety precautions when using this product to reduce risk of injury from fire or electric shock.

- Read and understand all instructions in the user guide.
- Observe all warnings and instructions marked on the product.
- Use only a grounded electrical outlet when connecting the product to a power source. If you do not know whether the outlet is grounded, check with a qualified electrician.
- Do not touch the contacts on any of the sockets on the product. Replace damaged cords immediately.
- Unplug this product from wall outlets before cleaning.
- Do not install or use this product near water or when you are wet.
- Install the product securely on a stable surface.
- Install the product in a protected location where no one can step on or trip over the power cord.

Printer views

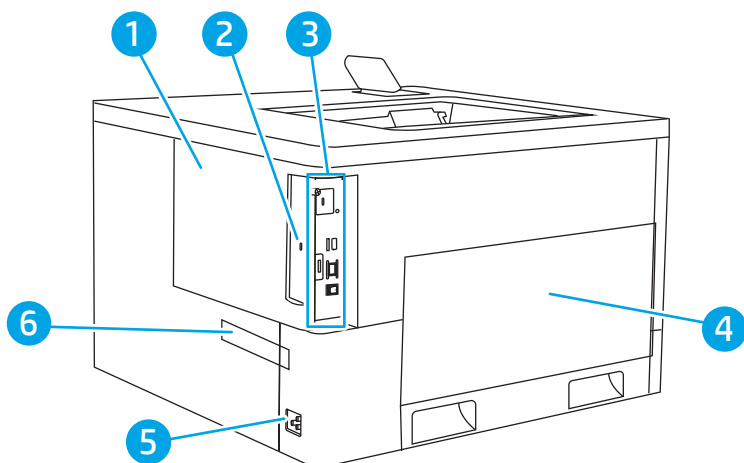
- [Printer front view](#)
- [Printer back view](#)
- [Interface ports](#)
- [Control-panel view](#)

Printer front view



1	Output bin
2	Control panel with color graphical display and keypad
3	Hardware integration pocket for connecting accessory and third-party devices
4	Easy-access USB port Insert a USB flash drive for printing without a computer or to update the printer firmware. NOTE: An administrator must enable this port before use.
5	Right door (access to the fuser and to clear jams)
6	Tray 1
7	On/off button
8	Model name
9	Tray 2
10	Front door (access to the toner cartridges and imaging drums)

Printer back view

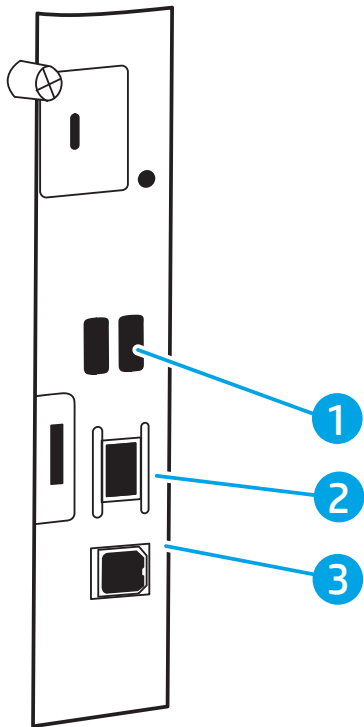


-
- | | |
|---|---|
| 1 | Formatter cover |
| 2 | Slot for a cable-type security lock |
| 3 | Formatter (contains the interface ports) |
| 4 | Left door (access to the toner-collection unit) |
-

NOTE: The front door must be used in order to access the toner-collection unit.

- | | |
|---|--|
| 5 | Power connection |
| 6 | Serial number and product number label |
-

Interface ports



1 USB ports for connecting external USB devices (these ports might be covered)

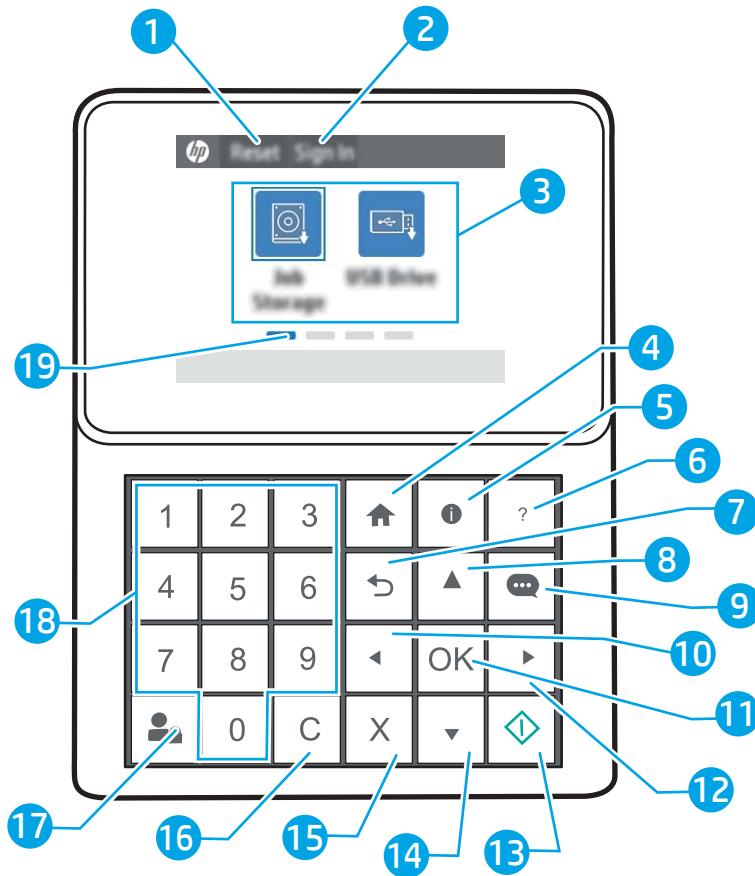
NOTE: For easy-access USB printing, use the USB port near the control panel.


2 Local area network (LAN) Ethernet 10/100/1000 network port



3 Hi-Speed USB 2.0 printing port

Control-panel view

Use the control panel to obtain printer and job status information and to configure the printer. The display on this control panel is not a touchscreen. Use the arrow buttons and the **OK** button to navigate and select menu items.



1	Reset icon	Select the Reset icon to clear changes, release the printer from a paused state, display hidden errors, and restore the default settings (including the language and keyboard layout).
2	Sign In or Sign Out icon	Select the Sign In icon to open the Sign In screen. Select the Sign Out icon to sign out of the printer. The printer restores all options to the default settings.
3	Applications area	Select any of the icons to open the application. NOTE: The available applications vary by printer. The administrator can configure which applications appear and the order in which they appear.
4	Home  button	Returns to the Home screen.

5	Information  button	<p>Press the information button to access several types of printer information. Select the items on the screen for the following information:</p> <ul style="list-style-type: none"> • Display Language: Change the language setting for the current user session. • Sleep Mode: Put the printer into low-power mode. • Wi-Fi Direct: View information for how to connect directly to the printer using a phone, tablet, or other device (only when an optional wireless accessory is installed). • Wireless: View or change wireless connection settings (only when an optional wireless accessory is installed). • Ethernet: View or change Ethernet connection settings. • HP Web Services: View information to connect and print to the printer using HP Web Services.
6	Help  button	Provides a list of help topics or information about a topic when using the Home screen, an app, an option, or a feature.
7	Back  button	Backs up one level in the menu tree.
8	Up arrow  button	Navigates to the previous item or widget in a vertical layout.
9	Message Center  button	Displays the Message Center.
10	Left arrow  button	Navigates to the previous item, widget, or level in a menu tree (but does not exit the app), or decreases the value of numeric items.
11	OK button	Accepts the selected value for an item, activates a focused button, opens the keyboard to edit the focused text field, or performs similar selection actions.
12	Right arrow  button	Navigates to the next item, widget, or level in a menu tree, or increases the value of numeric items.
13	Start  button	Starts the print job.
14	Down arrow  button	Navigates to the next item or widget in a vertical layout.
15	Cancel  button	Pauses the printer and opens Active Jobs . From the Active Jobs screen, the user can cancel the job or resume printing.
16	Clear  button	Clears the entire entry in an input field.
17	Sign In or Sign Out button	<p>Press the Sign In button to open the Sign In screen.</p> <p>Press the Sign Out button to sign out of the printer. The printer restores all options to the default settings.</p>
18	Numeric keypad	Enters numeric values.
19	Home-screen page indicator	Indicates the number of pages on the Home screen or in the Home screen folder. The current page is highlighted. Use the arrow buttons to scroll between pages.

Printer specifications

 **IMPORTANT:** The following specifications are correct at the time of publication, but they are subject to change. For current information, see www.hp.com/support/colorljE75245.

- [Technical specifications](#)
- [Supported operating systems](#)
- [Printer dimensions](#)
- [Power consumption, electrical specifications, and acoustic emissions](#)
- [Operating-environment range](#)

Technical specifications

Model name		E75245dn
Product number		T3U64A
Paper handling	Tray 1 (100-sheet capacity)	Included
	Tray 2 (550-sheet capacity)	Included
	550-sheet paper tray	Optional
	NOTE: The E75245dn model accepts up to two optional 550-sheet trays.	
	2 x 550-sheet paper tray and stand	Optional
	NOTE: The E75245dn model accepts up to two optional 550-sheet trays that may be installed on top of the stand.	
Connectivity	2,700-sheet high-capacity input (HCI) paper tray and stand	Optional
	NOTE: The E75245dn model accepts up to two optional 550-sheet trays that may be installed on top of the stand.	
	Stand	Optional
	NOTE: The E75245dn model accepts up to two optional 550-sheet trays that may be installed on top of the stand.	
	Automatic duplex printing	Included
	10/100/1000 Ethernet LAN connection with IPv4 and IPv6	Included
	Hi-Speed USB 2.0	Included
	Easy-access USB port for printing without a computer and upgrading the firmware	Included
	Hardware Integration Pocket for connecting accessory and third-party devices	Included
	HP Internal USB Ports	Optional

Model name		E75245dn
Product number		T3U64A
	HP Jetdirect 2900nw Print Server accessory for wireless connectivity	Optional
	HP Jetdirect 3100w BLE/NFC/Wireless Accessory for printing from mobile devices	Optional
Memory	1.5 GB base memory	Included
	NOTE: The base memory is expandable to 2.5 GB by adding a SODIMM memory module.	
Mass storage	16 GB embedded Multi-Media Controller (eMMC)	Included
Security	HP Trusted Platform Module for encrypting all data that passes through the printer	Included
Control-panel display and input	2.7-inch color graphics display with 10-key	Included
Print	Prints 45 pages per minute (ppm) on Letter and A4-size paper	Included
	Easy-access USB printing (no computer required)	Included
	Store jobs in the printer memory to print later or print privately	Included

Supported operating systems

Linux: For information and print drivers for Linux, go to www.hp.com/go/linuxprinting.

UNIX: For information and print drivers for UNIX®, go to www.hp.com/go/unixmodelscripts.

The following information applies to the printer-specific Windows HP PCL 6 print drivers, HP print drivers for macOS, and to the software installer.

Windows: Download HP Easy Start from 123.hp.com/LaserJet to install the HP print driver. Or, go to the printer-support website for this printer: www.hp.com/support/colorljE75245 to download the print driver or the software installer to install the HP print driver.

macOS: Mac computers are supported with this printer. Download HP Easy Start either from 123.hp.com/LaserJet or from the Printer Support page, and then use HP Easy Start to install the HP print driver.

1. Go to 123.hp.com/LaserJet.
2. Follow the steps provided to download the printer software.


Table 1-1 Supported operating systems and print drivers

Operating system	Print driver (for Windows, or the installer on the web for macOS)	Notes
Windows 7, 32-bit and 64-bit	The “HP PCL 6” printer-specific print driver is installed for this operating system as part of the software installation.	
Windows 8, 32-bit and 64-bit	The “HP PCL 6” printer-specific print driver is installed for this operating system as part of the software installation.	Windows 8 RT support is provided through Microsoft IN OS Version 4, 32-bit driver.
Windows 8.1, 32-bit and 64-bit	The “HP PCL-6” V4 printer-specific print driver is installed for this operating system as part of the software installation.	Windows 8.1 RT support is provided through Microsoft IN OS Version 4, 32-bit driver.
Windows 10, 32-bit and 64-bit	The “HP PCL-6” V4 printer-specific print driver is installed for this operating system as part of the software installation.	
Windows Server 2008 R2, SP 1, 64-bit	The PCL 6 printer-specific print driver is available for download from the printer-support website. Download the driver, and then use the Microsoft Add Printer tool to install it.	
Windows Server 2012, 64-bit	The PCL 6 printer-specific print driver is available for download from the printer-support website. Download the driver, and then use the Microsoft Add Printer tool to install it.	
Windows Server 2012 R2, 64-bit	The PCL 6 printer-specific print driver is available for download from the printer-support website. Download the driver, and then use the Microsoft Add Printer tool to install it.	

Table 1-1 Supported operating systems and print drivers (continued)

Operating system	Print driver (for Windows, or the installer on the web for macOS)	Notes
Windows Server 2016, 64-bit	The PCL 6 printer-specific print driver is available for download from the printer-support website. Download the driver, and then use the Microsoft Add Printer tool to install it.	
macOS 10.12 Sierra, macOS 10.13 High Sierra	Download HP Easy Start from 123.hp.com/LaserJet , and then use it to install the print driver.	

 **NOTE:** Supported operating systems can change.

 **NOTE:** For a current list of supported operating systems and HP's all-inclusive help for the printer, go to www.hp.com/support/colorljE75245.



 **NOTE:** For details on client and server operating systems and for HP UPD driver support for this printer, go to www.hp.com/go/upd. Under **Additional information**, click **Specifications**.

Table 1-2 Minimum system requirements

Windows	macOS
<ul style="list-style-type: none">• Internet connection• Dedicated USB 1.1 or 2.0 connection or a network connection• 2 GB of available hard-disk space• 1 GB RAM (32-bit) or 2 GB RAM (64-bit)	<ul style="list-style-type: none">• Internet connection• Dedicated USB 1.1 or 2.0 connection or a network connection• 1.5 GB of available hard-disk space

 **NOTE:** The Windows software installer installs the HP Smart Device Agent Base service. The file size is less than 100 kb. Its only function is to check for printers connected via USB hourly. No data is collected. If a USB printer is found, it then tries to locate a JetAdvantage Management Connector (JAMc) instance on the network. If a JAMc is found, the HP Smart Device Agent Base is securely upgraded to a full Smart Device Agent from JAMc, which will then allow printed pages to be accounted for in a Managed Print Services (MPS) account. The driver-only web packs downloaded from www.hp.com for the printer and installed through the Add Printer wizard do not install this service.

To uninstall the service, open the **Control Panel**, select **Programs** or **Programs and Features**, and then select **Add/Remove Programs** or **Uninstall a Program** to remove the service. The file name is **HPSmartDeviceAgentBase**.

Printer dimensions

Table 1-3 Dimensions for the printer

	Printer fully closed	Printer fully opened
Height	398.5 mm (15.7 in)	442.5 mm (17.4 in)
Depth	589 mm (23.2 in)	992 mm (39 in)
Width	556 mm (21.9 in)	1,051 mm (41.4 in)
Weight	45.1 kg (99.4 lb)	

Table 1-4 Dimensions for the 550-sheet paper tray

Height	150 mm (5.9 in)
Depth	Tray closed: 584 mm (23 in) Tray opened: 999 mm (39.3 in)
Width	Door closed: 556 mm (21.9 in) Door opened: 640 mm (25.2 in)
Weight	10.2 kg (22.5 lb)

Table 1-5 Dimensions for the printer with one 550-sheet paper tray

	Printer fully closed	Printer fully opened
Height	524.5 mm (20.6 in)	568.5 mm (22.4 in)
Depth	589 mm (23.2 in)	1,004 mm (39.5 in)
Width	556 mm (21.9 in)	1,051 mm (41.4 in)
Weight	55.3 kg (121.9 lb)	

Table 1-6 Dimensions for the 2 x 550-sheet paper tray and stand

Height	347 mm (13.7 in)
Depth ¹	Tray closed: 659 mm (25.9 in) Tray open: 1,074 mm (42.3 in)
Width ¹	Door closed: 556 mm (21.9 in) Door open: 771 mm (30.4 in)
Weight ¹	22.9 kg (50.5lb)

¹ Does not include stability feet.

Table 1-7 Dimensions for the printer with the 2 x 550-sheet paper tray and stand

	Printer and accessories fully closed	Printer and accessories fully opened
Height	722.5 mm (28.4 in)	766.5 mm (30.2 in)
Depth ¹	659 mm (25.9 in)	1,074 mm (42.3 in)
Width ¹	556 mm (21.9 in)	1,051 mm (41.4 in)
Weight ¹	68.0 kg (149.9 lb)	

¹ Does not include stability feet.

Table 1-8 Dimensions for the high-capacity input paper tray and stand

Height	347 mm (13.7 in)
Depth ¹	Tray closed: 659 mm (25.9 in) Tray open: 1,064 mm (41.9 in)
Width ¹	Door closed: 556 mm (21.9 in) Door open: 771 mm (30.4 in)
Weight ¹	28.2 kg (62.2 lb)

¹ Does not include stability feet.

Table 1-9 Dimensions for the printer with the high-capacity input paper tray and stand

	Printer and accessories fully closed	Printer and accessories fully opened
Height	722.5 mm (28.4 in)	766.5 mm (30.2 in)
Depth ¹	659 mm (25.9 in)	1,064 mm (41.9 in)
Width ¹	556 mm (21.9 in)	1,051 mm (41.4 in)
Weight ¹	73.3 kg (161.6 lb)	

¹ Does not include stability feet.

Table 1-10 Dimensions for the stand

Height	347 mm (13.7 in)
Depth ¹	Door closed: 659 mm (25.9 in) Door opened: 1,185 mm (46.7 in)
Width ¹	Door closed: 556 mm (21.9 in) Door opened: 556 mm (21.9 in)
Weight ¹	15.8 kg (34.9 lb)

¹ Does not include stability feet.

Table 1-11 Dimensions for the printer with the stand

	Printer and accessories fully closed	Printer and accessories fully opened
Height	722.5 mm (28.4 in)	766.5 mm (30.2 in)
Depth ¹	659 mm (25.9 in)	1,185 mm (46.7 in)
Width ¹	556 mm (21.9 in)	1,051 mm (41.4 in)
Weight ¹	61.4 kg (135.4 lb)	

¹ Does not include stability feet.

Power consumption, electrical specifications, and acoustic emissions

See www.hp.com/support/colorljE75245 for current information.

⚠ CAUTION: Power requirements are based on the country/region where the printer is sold. Do not convert operating voltages. This will damage the printer and void the printer warranty.

Operating-environment range

Table 1-12 Operating-environment specifications

Environment	Recommended	Allowed
Temperature	15° to 27°C (59° to 80.6°F)	10° to 30°C (50° to 86°F)
Relative humidity	30% to 70% relative humidity (RH)	10% to 80% RH

Printer hardware setup and software installation

For basic setup instructions, see the Hardware Installation Guide that came with the printer. For additional instructions, go to HP support on the Web.

Go to www.hp.com/support/colorljE75245 for HP's all-inclusive help for the printer. Find the following support:

- Install and configure
- Learn and use
- Solve problems
- Download software and firmware updates
- Join support forums
- Find warranty and regulatory information

2 Paper trays

- [Introduction](#)
- [Load paper to Tray 1 \(multipurpose tray\)](#)
- [Load paper to Tray 2](#)
- [Load paper to the 550-sheet paper tray](#)
- [Load paper to the 2 x 550-sheet paper trays](#)
- [Load paper to the 2,700-sheet high-capacity input paper trays](#)
- [Load and print envelopes](#)
- [Load and print labels](#)

For more information

The following information is correct at the time of publication.

For video assistance, see www.hp.com/videos/LaserJet.

For current information, see www.hp.com/support/colorljE75245.

HP's all-inclusive help for the printer includes the following information:

- Install and configure
- Learn and use
- Solve problems
- Download software and firmware updates
- Join support forums
- Find warranty and regulatory information

Introduction

⚠ CAUTION: Do not extend more than one paper tray at a time.

Do not use paper tray as a step.

Keep hands out of paper trays when closing.

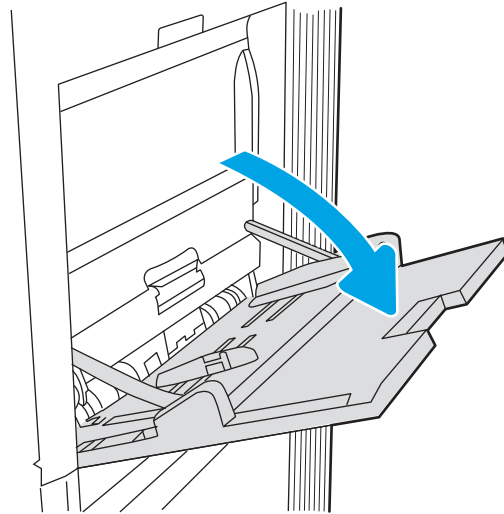
All trays must be closed when moving the printer.

Load paper to Tray 1 (multipurpose tray)

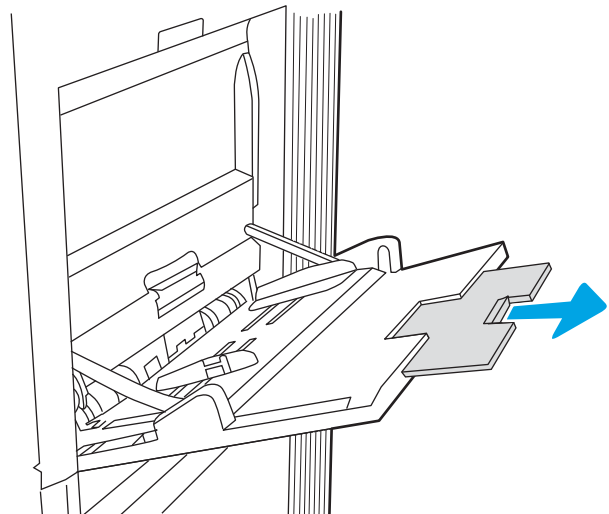
Introduction

The following information describes how to load paper into Tray 1. This tray holds up to 100 sheets of 75 g/m² (20 lb) paper or 10 envelopes.

1. Open Tray 1.



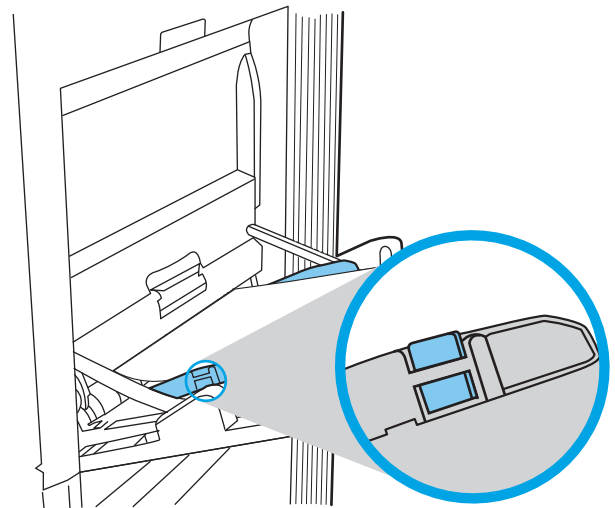
2. Pull out the tray extension to support the paper.



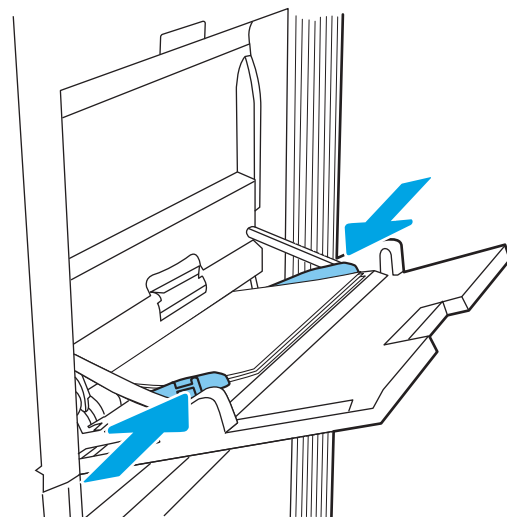
3. Use the blue adjustment latch to spread the paper guides to the correct size, and then load paper in the tray. For information about how to orient the paper, see [Table 2-1 Tray 1 paper orientation on page 20](#).

Make sure that the paper fits under the fill line on the paper guides.

NOTE: The maximum stack height is 10 mm (0.4 in), or approximately 100 sheets of 75 g/m² (20 lb) paper.



4. Using the blue adjustment latch, adjust the side guides so that they lightly touch the paper stack, but do not bend it.



Tray 1 paper orientation

Table 2-1 Tray 1 paper orientation

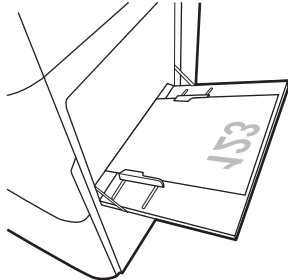
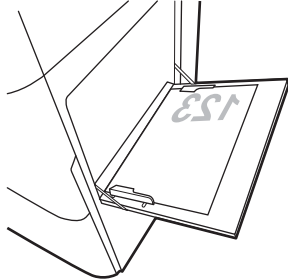
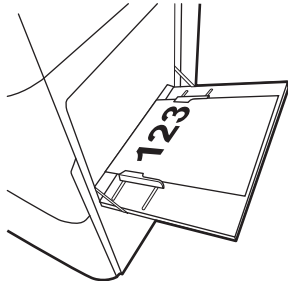
Paper type	Image orientation	Duplex mode	Paper size	How to load paper
Letterhead or preprinted	Portrait	1-sided printing	12x18, 11x17, RA3, SRA3, A3, 8K (273x394 mm), 8K (270x390 mm), 8K (260x368 mm), B4 (JIS), Legal, Oficio (8.5x13), Oficio (216x340 mm), SRA4, RA4, A4, Letter	Face-down Bottom edge leading into the printer
				
			A4, Letter, Executive, A5, 16K (197x273 mm), 16K (195x270 mm), 16K (184x260 mm), B5 (JIS), Double Japan Postcard (148x200 mm)	Face-down Left side of pre-printed image leading into the printer
				
		Automatic 2-sided printing or with Alternative Letterhead Mode enabled	12x18, 11x17, RA3, SRA3, A3, 8K (273x394 mm), 8K (270x390 mm), 8K (260x368 mm), B4 (JIS), Legal, Oficio (8.5x13), Oficio (216x340 mm), SRA4, RA4, A4, Letter	Face-up Top edge leading into the printer
				

Table 2-1 Tray 1 paper orientation (continued)

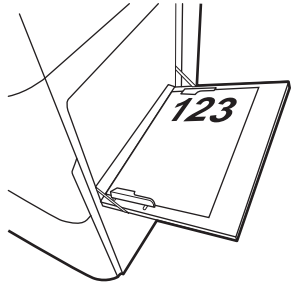
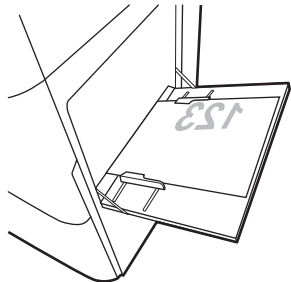
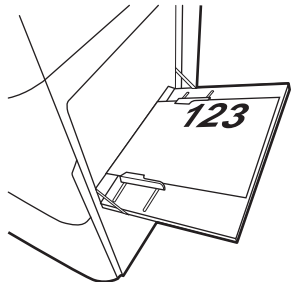
Paper type	Image orientation	Duplex mode	Paper size	How to load paper
Letterhead or preprinted (continued)	Portrait (continued)	Automatic 2-sided printing or with Alternative Letterhead Mode enabled (continued)	A4, Letter, Executive, A5, 16K (197x273 mm) 16K (195x270 mm), 16K (184x260 mm), B5 (JIS), Double Japan Postcard (148x200 mm)	Face-up Right side of pre-printed image leading into the printer
				
	Landscape	1-sided printing	12x18, 11x17, RA3, SRA3, A3, 8K (273x394 mm), 8K (270x390 mm), 8K (260x368 mm), B4 (JIS), Legal, Oficio (8.5x13), Oficio (216x340 mm), SRA4, RA4, A4, Letter	Face-down Left side of pre-printed image leading into the printer
				
		Automatic 2-sided printing or with Alternative Letterhead Mode enabled	12x18, 11x17, RA3, SRA3, A3, 8K (273x394 mm), 8K (270x390 mm), 8K (260x368 mm), B4 (JIS), Legal, Oficio (8.5x13), Oficio (216x340 mm), SRA4, RA4, A4, Letter	Face-up Right side of the pre-printed image leading into the printer
				

Table 2-1 Tray 1 paper orientation (continued)

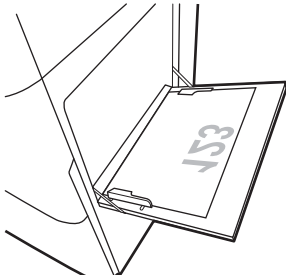
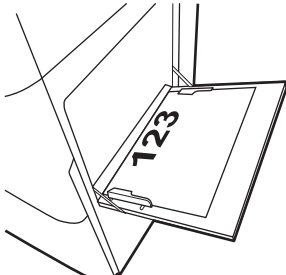
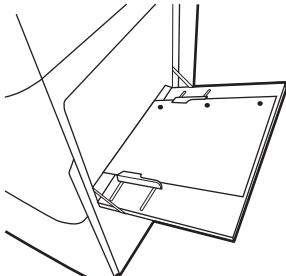
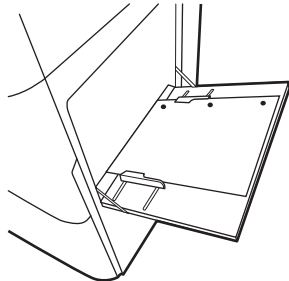
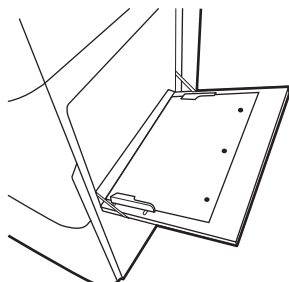
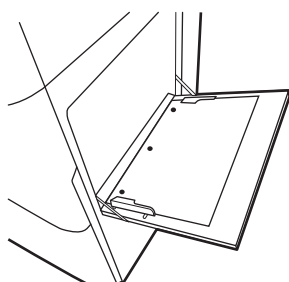
Paper type	Image orientation	Duplex mode	Paper size	How to load paper
Letterhead or preprinted (continued)	Landscape (continued)	1-sided printing	A4, Letter, Executive, A5, 16K (197x273 mm) 16K (195x270 mm), 16K (184x260 mm), B5 (JIS), Double Japan Postcard (148x200 mm)	Face-down Bottom edge leading into the printer 
		Automatic 2-sided printing or with Alternative Letterhead Mode enabled	A4, Letter, Executive, A5, 16K (197x273 mm) 16K (195x270 mm), 16K (184x260 mm), B5 (JIS), Double Japan Postcard (148x200 mm)	Face-up Top edge leading into the printer 
Prepunched	Portrait	1-sided printing	12x18, 11x17, RA3, SRA3, A3, 8K (273x394 mm), 8K (270x390 mm), 8K (260x368 mm), B4 (JIS), Legal, Oficio (8.5x13), Oficio (216x340 mm), SRA4, RA4, A4, Letter	Face-down Holes toward the back of the printer 

Table 2-1 Tray 1 paper orientation (continued)

Paper type	Image orientation	Duplex mode	Paper size	How to load paper
Prepunched (continued)	Portrait (continued)	Automatic 2-sided printing or with Alternative Letterhead Mode enabled	12x18, 11x17, RA3, SRA3, A3, 8K (273x394 mm), 8K (270x390 mm), 8K (260x368 mm), B4 (JIS), Legal, Oficio (8.5x13), Oficio (216x340 mm), SRA4, RA4, A4, Letter	Face-up Holes toward the back of the printer
				
	Landscape	1-sided printing	A4, Letter, Executive, A5, 16K (197x273 mm) 16K (195x270 mm), 16K (184x260 mm), B5 (JIS), Double Japan Postcard (148x200 mm)	Face-down Holes away from the printer
				
		Automatic 2-sided printing or with Alternative Letterhead Mode enabled	A4, Letter, Executive, A5, 16K (197x273 mm) 16K (195x270 mm), 16K (184x260 mm), B5 (JIS), Double Japan Postcard (148x200 mm)	Face-up Holes towards the printer
				

Use alternative letterhead mode

Use the [Alternative Letterhead Mode](#) feature to load letterhead or preprinted paper into the tray the same way for all jobs, whether printing to one side of the sheet of paper or to both sides. When using this mode, load paper as for automatic duplex printing.

To use the feature, enable it by using the printer control-panel menus.

Enable Alternative Letterhead Mode by using the printer control-panel menus


1. From the Home screen on the printer control panel, open the [Settings](#) menu.
2. Open the following menus:
 - [Print](#)
 - [Manage Trays](#)
 - [Alternative Letterhead Mode](#)
3. Select [On](#), and then press the [OK](#) button.

Load paper to Tray 2

Introduction

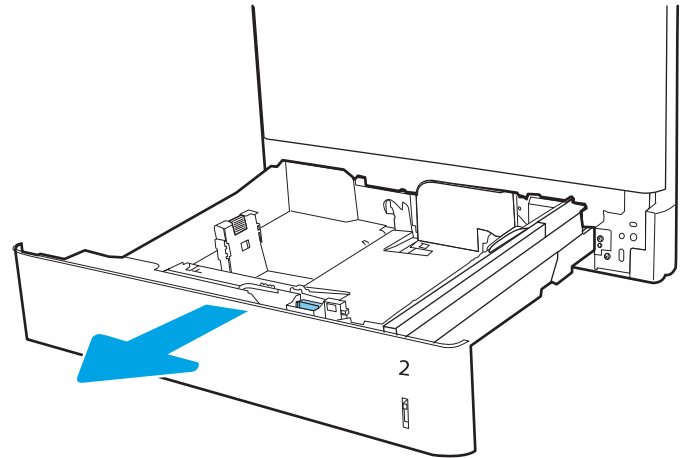
The following information describes how to load paper into Tray 2. The tray holds up to 550 sheets of 75 g/m² (20 lb) paper.

 **NOTE:** The paper guides may be locked before use and may not be adjustable.

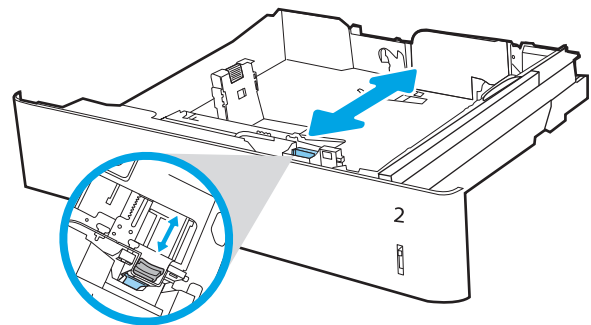
 **CAUTION:** Do not extend more than one paper tray at a time.

1. Open the tray.

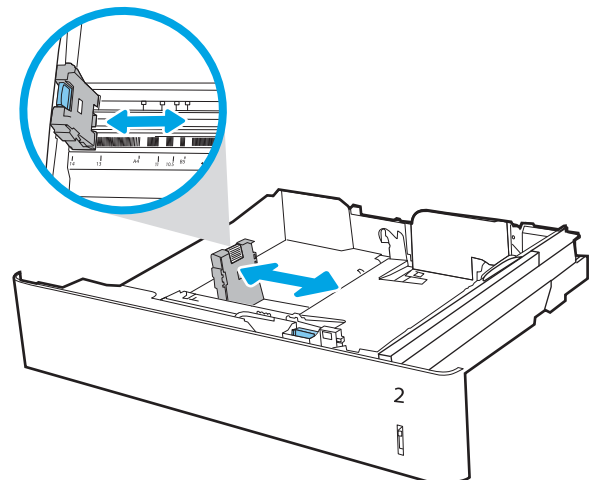
NOTE: Do not open this tray while the printer is printing.



2. Before loading paper, adjust the paper-width guides by squeezing the blue adjustment latches and sliding the guides to the size of the paper being used.

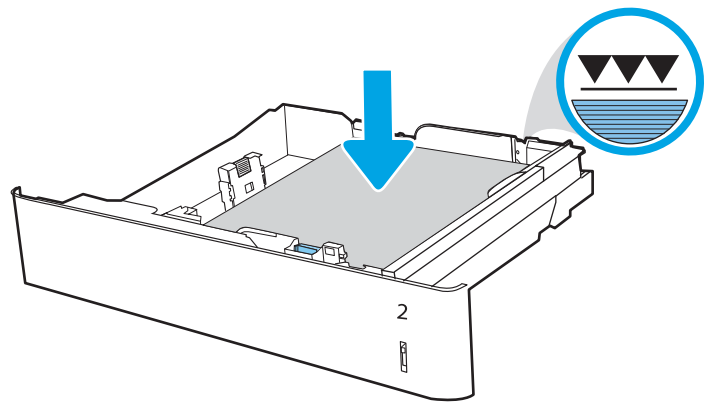


3. Adjust the paper-length guide by squeezing the adjustment latch and sliding the guide to the size of the paper being used.



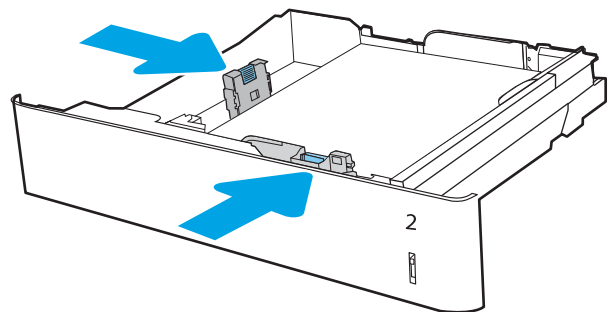
4. Load paper into the tray. For information about how to orient the paper, see [Table 2-2 Tray 2 paper orientation on page 27](#).

NOTE: To prevent jams, do not overfill the tray. Be sure that the top of the stack is below the tray full indicator.

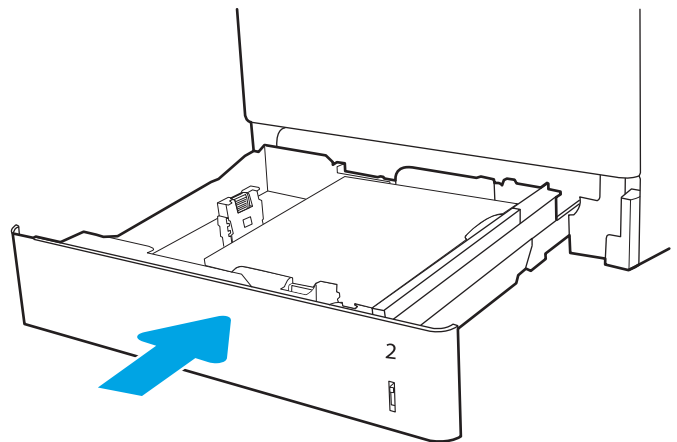


5. Check the paper to verify the guides lightly touch the stack, but do not bend it.

NOTE: Do not adjust the paper guides tightly against the paper stack. Adjust them to the indentations or markings in the tray.

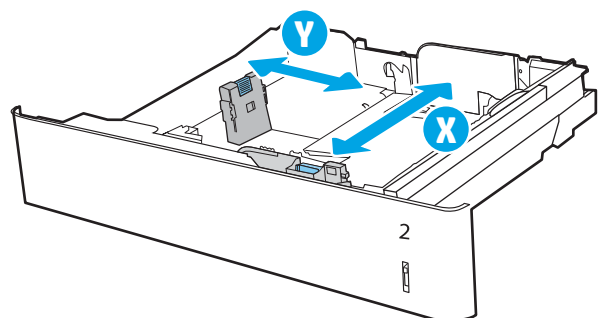


6. Close the tray.



7. The tray configuration message displays on the printer control panel.
8. Press the **OK** button to accept the detected type and size, or select **Modify** to choose a different paper size or type.

For custom-size paper, specify the **X** and **Y** dimensions for the paper when the prompt displays on the printer control panel.



Tray 2 paper orientation

Table 2-2 Tray 2 paper orientation

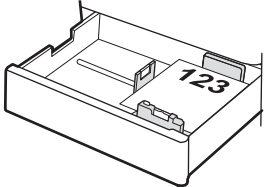
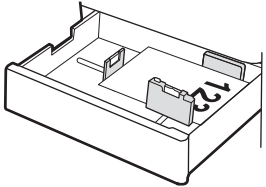
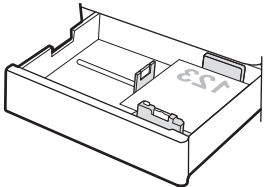
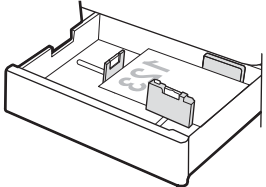
Paper type	Image orientation	Duplex mode	Paper size	How to load paper
Letterhead or preprinted	Portrait	1-sided printing	A4, Letter, 16K (197x273 mm) 16K (195x270 mm), Executive, A5, 16K (184x260 mm), B5 (JIS), Double Japan Postcard (148x200 mm)	<p>Face-up</p> <p>Top edge at the back of the tray</p> <p>NOTE: This is the preferred orientation when printing on A4 or Letter.</p> 
			11x17, A3, 8K (273x397 mm), 8K (270x390 mm), 8K (260x368 mm), B4 (JIS), Legal, Oficio (8.5x13), Oficio (216x340 mm), SRA4, RA4, A4, Letter	<p>Face-up</p> <p>Top edge at the right side of the tray</p> 
		Automatic 2-sided printing or with Alternative Letterhead Mode enabled	A4, Letter, 16K (197x273 mm) 16K (195x270 mm), Executive, A5, 16K (184x260 mm), B5 (JIS), Double Japan Postcard (148x200 mm)	<p>Face-down</p> <p>Top edge at the back of the tray</p> <p>NOTE: This is the preferred orientation when printing on A4 or Letter.</p> 
			11x17, A3, 8K (273x397 mm), 8K (270x390 mm), 8K (260x368 mm), B4 (JIS), Legal, Oficio (8.5x13), Oficio (216x340 mm), SRA4, RA4, A4, Letter	<p>Face-down</p> <p>Top edge at the left side of the tray</p> 

Table 2-2 Tray 2 paper orientation (continued)

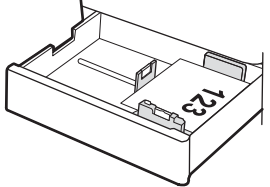
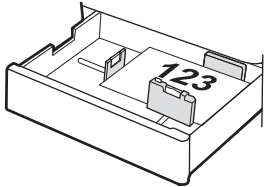
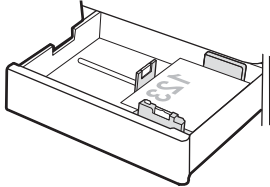
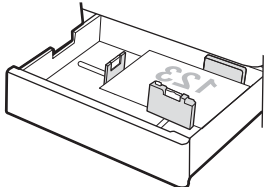
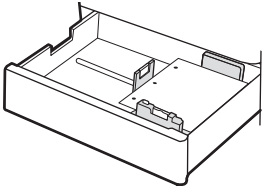
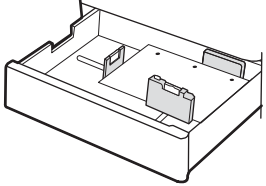
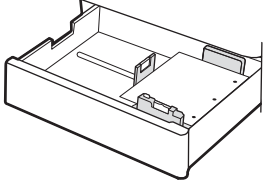
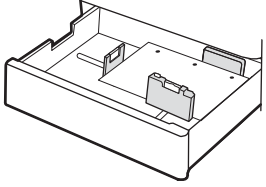
Paper type	Image orientation	Duplex mode	Paper size	How to load paper
Letterhead or preprinted (continued)	Landscape	1-sided printing	A4, Letter, 16K (197x273 mm) 16K (195x270 mm), Executive, A5, 16K (184x260 mm), B5 (JIS), Double Japan Postcard (148x200 mm)	Face-up Top edge at the right side of the tray NOTE: This is the preferred orientation when printing on A4 or Letter.
				
			11x17, A3, 8K (273x397 mm), 8K (270x390 mm), 8K (260x368 mm), B4 (JIS), Legal, Oficio (8.5x13), Oficio (216x340 mm), SRA4, RA4, A4, Letter	Face-up Top edge at the back of the tray
				
		Automatic 2-sided printing or with Alternative Letterhead Mode enabled	A4, Letter, 16K (197x273 mm) 16K (195x270 mm), Executive, A5, 16K (184x260 mm), B5 (JIS), Double Japan Postcard (148x200 mm)	Face-down Top edge at the left side of the tray NOTE: This is the preferred orientation when printing on A4 or Letter.
				
			11x17, A3, 8K (273x397 mm), 8K (270x390 mm), 8K (260x368 mm), B4 (JIS), Legal, Oficio (8.5x13), Oficio (216x340 mm), SRA4, RA4, A4, Letter	Face-down Top edge at the back of the tray
				

Table 2-2 Tray 2 paper orientation (continued)

Paper type	Image orientation	Duplex mode	Paper size	How to load paper
Prepunched	Portrait	1-sided printing	A4, Letter, 16K (197x273 mm) 16K (195x270 mm), Executive, A5, 16K (184x260 mm), B5 (JIS), Double Japan Postcard (148x200 mm)	<p>Face-up</p> <p>Holes at the left side of the tray, with the top of the form at the rear of the printer</p> <p>NOTE: This is the preferred orientation when printing on A4 or Letter.</p> 
			11x17, A3, 8K (273x397 mm), 8K (270x390 mm), 8K (260x368 mm), B4 (JIS), Legal, Oficio (8.5x13), Oficio (216x340 mm), SRA4, RA4, A4, Letter	<p>Face-up</p> <p>Holes at the back of the tray</p> 
		Automatic 2-sided printing or with Alternative Letterhead Mode enabled	A4, Letter, 16K (197x273 mm) 16K (195x270 mm), Executive, A5, 16K (184x260 mm), B5 (JIS), Double Japan Postcard (148x200 mm)	<p>Face-down</p> <p>Holes at the right side of the tray</p> <p>NOTE: This is the preferred orientation when printing on A4 or Letter.</p> 
			11x17, A3, 8K (273x397 mm), 8K (270x390 mm), 8K (260x368 mm), B4 (JIS), Legal, Oficio (8.5x13), Oficio (216x340 mm), SRA4, RA4, A4, Letter	<p>Face-down</p> <p>Holes at the back of the tray</p> 

Use Alternative Letterhead Mode

Use the [Alternative Letterhead Mode](#) feature to load letterhead or preprinted paper into the tray the same way for all jobs, whether printing to one side of the sheet of paper or to both sides. When using this mode, load paper as for automatic duplex printing.

To use the feature, enable it by using the printer control-panel menus.

Enable Alternative Letterhead Mode by using the printer control-panel menus


1. From the Home screen on the printer control panel, open the [Settings](#) menu.
2. Open the following menus:
 - [Print](#)
 - [Manage Trays](#)
 - [Alternative Letterhead Mode](#)
3. Select [On](#), and then press the [OK](#) button.

Load paper to the 550-sheet paper tray

Introduction

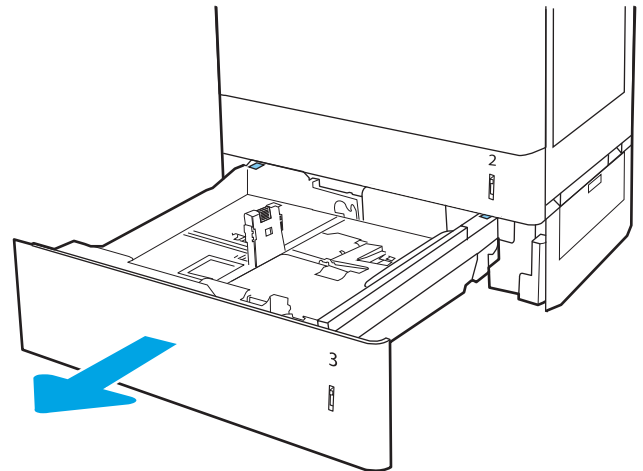
The following information describes how to load paper into the optional 550-sheet tray. This tray holds up to 550 sheets of 75 g/m² (20 lb) paper.

 **NOTE:** The paper guides may be locked before use and may not be adjustable.

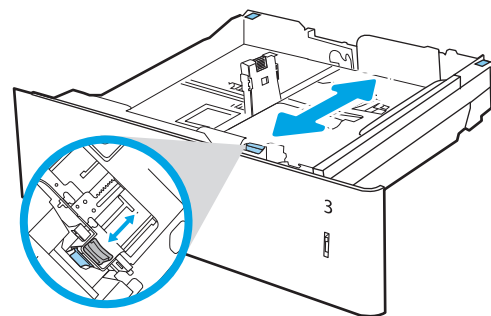
 **CAUTION:** Do not extend more than one paper tray at a time.

1. Open the tray.

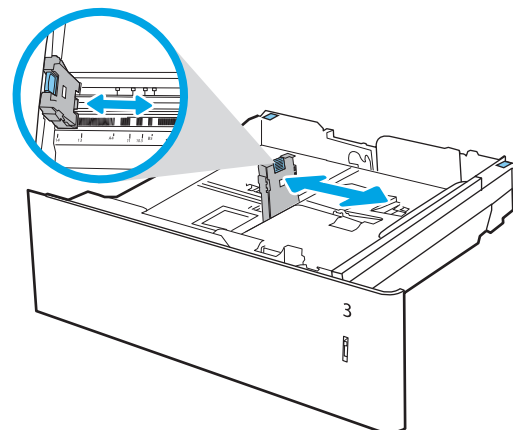
NOTE: Do not open this tray while the printer is printing.



2. Before loading paper, adjust the paper-width guides by squeezing the blue adjustment latches and sliding the guides to the size of the paper being used.

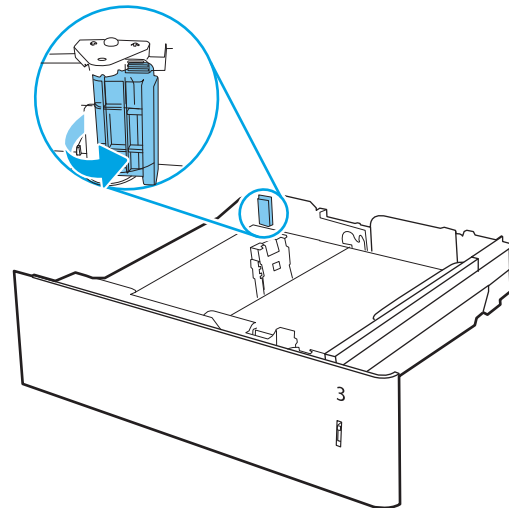


3. Adjust the paper-length guide by squeezing the adjustment latch and sliding the guide to the size of the paper being used.



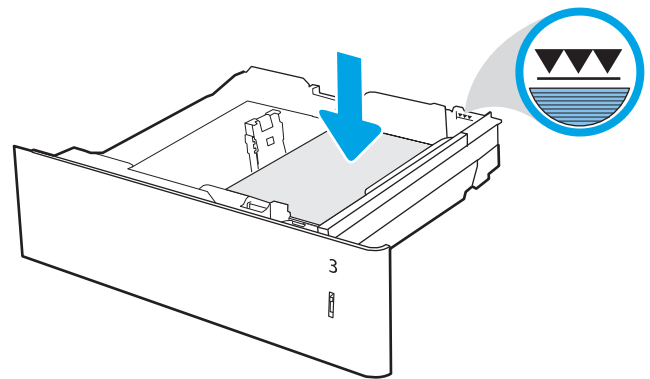
4. For any of the following paper sizes, also adjust the blue paper-stop lever in the left rear corner of the tray to the correct position, as indicated by the label in the tray:

- 12 x 18
- RA3
- 11 x 17
- A3
- SRA3



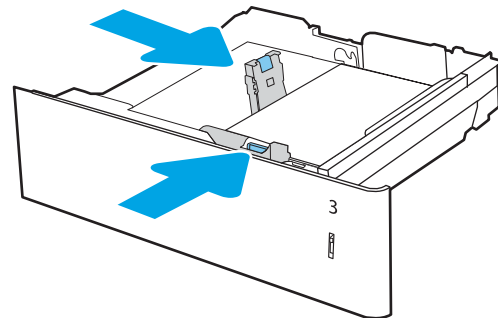
5. Load paper into the tray. For information about how to orient the paper, see [Table 2-3 550-sheet tray paper orientation on page 34](#).

NOTE: To prevent jams, do not overfill the tray. Be sure that the top of the stack is below the tray full indicator.

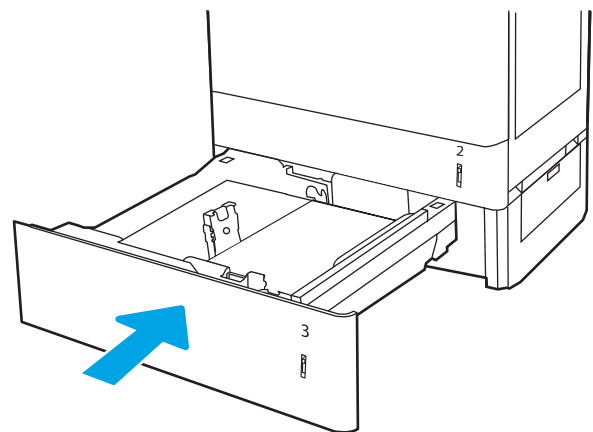


6. Check the paper to verify the guides lightly touch the stack, but do not bend it.

NOTE: Do not adjust the paper guides tightly against the paper stack. Adjust them to the indentations or markings in the tray.

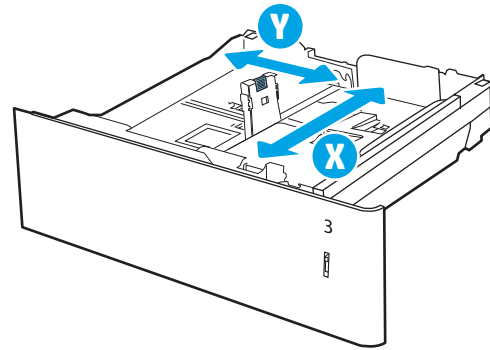


7. Close the tray.



8. The tray configuration message displays on the printer control panel.
9. Press the **OK** button to accept the detected type and size, or select **Modify** to choose a different paper size or type.

For custom-size paper, specify the **X** and **Y** dimensions for the paper when the prompt displays on the printer control panel.



550-sheet paper tray paper orientation

Table 2-3 550-sheet tray paper orientation

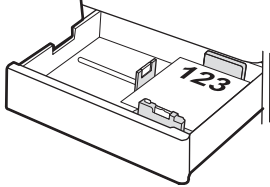
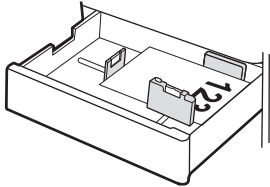
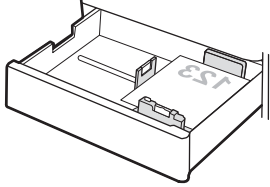
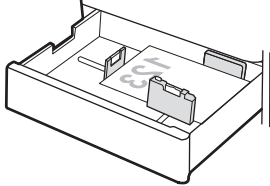
Paper type	Image orientation	Duplex mode	Paper size	How to load paper
Letterhead or preprinted	Portrait	1-sided printing	A4, Letter, 16K (197x273 mm) 16K (195x270 mm), Executive, A5, 16K (184x260 mm), B5 (JIS), Double Japan Postcard (148x200 mm)	<p>Face-up</p> <p>Top edge at the back of the tray</p> <p>NOTE: This is the preferred orientation when printing on A4 or Letter.</p> 
			12x18, 11x17, A3, 8K (273x397 mm), 8K (270x390 mm), 8K (260x368 mm), B4 (JIS), Legal, Oficio (8.5x13), Oficio (216x340 mm), SRA3, RA3, SRA4, RA4, A4, Letter	<p>Face-up</p> <p>Top edge at the right side of the tray</p> 
		Automatic 2-sided printing or with Alternative Letterhead Mode enabled	A4, Letter, 16K (197x273 mm) 16K (195x270 mm), Executive, A5, 16K (184x260 mm), B5 (JIS), Double Japan Postcard (148x200 mm)	<p>Face-down</p> <p>Top edge at the back of the tray</p> <p>NOTE: This is the preferred orientation when printing on A4 or Letter.</p> 
			12x18, 11x17, A3, 8K (273x397 mm), 8K (270x390 mm), 8K (260x368 mm), B4 (JIS), Legal, Oficio (8.5x13), Oficio (216x340 mm), SRA3, RA3, SRA4, RA4, A4, Letter	<p>Face-down</p> <p>Top edge at the left side of the tray</p> 

Table 2-3 550-sheet tray paper orientation (continued)

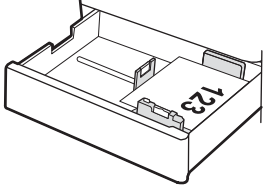
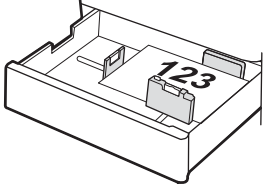
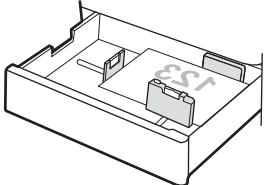
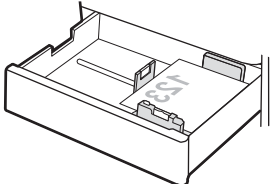
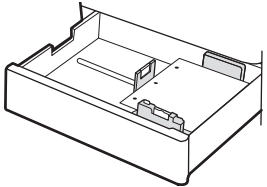
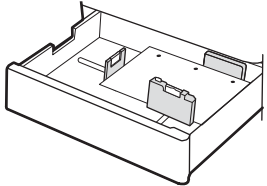
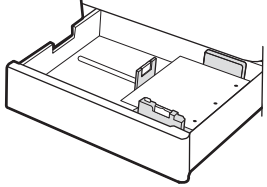
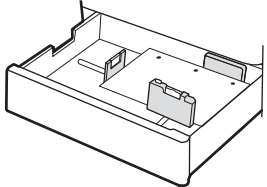
Paper type	Image orientation	Duplex mode	Paper size	How to load paper
Letterhead or preprinted (continued)	Landscape	1-sided printing	A4, Letter, 16K (197x273 mm) 16K (195x270 mm), Executive, A5, 16K (184x260 mm), B5 (JIS), Double Japan Postcard (148x200 mm)	Face-up Top edge at the right side of the tray NOTE: This is the preferred orientation when printing on A4 or Letter.
				
			12x18, 11x17, A3, 8K (273x397 mm), 8K (270x390 mm), 8K (260x368 mm), B4 (JIS), Legal, Oficio (8.5x13), Oficio (216x340 mm), SRA3, RA3, SRA4, RA4, A4, Letter	Face-up Top edge at the back of the tray
				
		Automatic 2-sided printing or with Alternative Letterhead Mode enabled	12x18, 11x17, A3, 8K (273x397 mm), 8K (270x390 mm), 8K (260x368 mm), B4 (JIS), Legal, Oficio (8.5x13), Oficio (216x340 mm), SRA3, RA3, SRA4, RA4, A4, Letter	Face-down Top edge at the back of the tray
				
			A4, Letter, 16K (197x273 mm) 16K (195x270 mm), Executive, A5, 16K (184x260 mm), B5 (JIS), Double Japan Postcard (148x200 mm)	Face-down Top edge at the left side of the tray NOTE: This is the preferred orientation when printing on A4 or Letter.
				

Table 2-3 550-sheet tray paper orientation (continued)

Paper type	Image orientation	Duplex mode	Paper size	How to load paper
Prepunched	Portrait	1-sided printing	A4, Letter, 16K (197x273 mm) 16K (195x270 mm), Executive, A5, 16K (184x260 mm), B5 (JIS), Double Japan Postcard (148x200 mm)	<p>Face-up</p> <p>Holes at the left side of the tray, with the top of the form at the rear of the printer</p> <p>NOTE: This is the preferred orientation when printing on A4 or Letter.</p> 
			12x18, 11x17, A3, 8K (273x397 mm), 8K (270x390 mm), 8K (260x368 mm), B4 (JIS), Legal, Oficio (8.5x13), Oficio (216x340 mm), SRA3, RA3, SRA4, RA4, A4, Letter	<p>Face-up</p> <p>Holes at the back of the tray</p> 
		Automatic 2-sided printing or with Alternative Letterhead Mode enabled	A4, Letter, 16K (197x273 mm) 16K (195x270 mm), Executive, A5, 16K (184x260 mm), B5 (JIS), Double Japan Postcard (148x200 mm)	<p>Face-down</p> <p>Holes at the right side of the tray</p> <p>NOTE: This is the preferred orientation when printing on A4 or Letter.</p> 
			12x18, 11x17, A3, 8K (273x397 mm), 8K (270x390 mm), 8K (260x368 mm), B4 (JIS), Legal, Oficio (8.5x13), Oficio (216x340 mm), SRA3, RA3, SRA4, RA4, A4, Letter	<p>Face-down</p> <p>Holes at the back of the tray</p> 

Use alternative letterhead mode

Use the [Alternative Letterhead Mode](#) feature to load letterhead or preprinted paper into the tray the same way for all jobs, whether printing to one side of the sheet of paper or to both sides. When using this mode, load paper as for automatic duplex printing.

To use the feature, enable it by using the printer control-panel menus.


Enable Alternative Letterhead Mode by using the printer control-panel menus

1. From the Home screen on the printer control panel, open the [Settings](#) menu.
2. Open the following menus:
 - [Print](#)
 - [Manage Trays](#)
 - [Alternative Letterhead Mode](#)
3. Select [On](#), and then press the [OK](#) button.


Load paper to the 2 x 550-sheet paper trays

Introduction

The following information describes how to load paper into the optional 2 x 550-sheet paper trays. These trays hold up to 550 sheets of 75 g/m² (20 lb) paper.

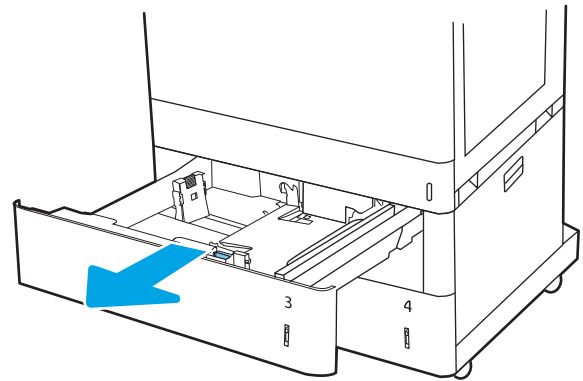
 **NOTE:** The procedure to load paper for Tray 4 is the same as for Tray 3. Only Tray 3 is shown here.

 **NOTE:** The paper guides may be locked before use and may not be adjustable.

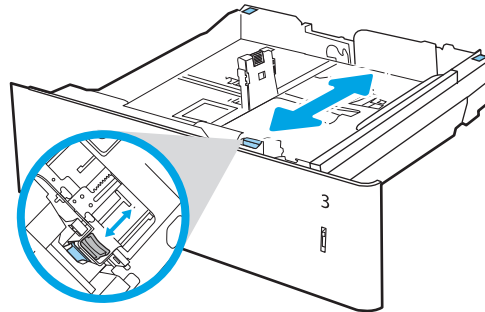
 **CAUTION:** Do not extend more than one paper tray at a time.

1. Open the tray.

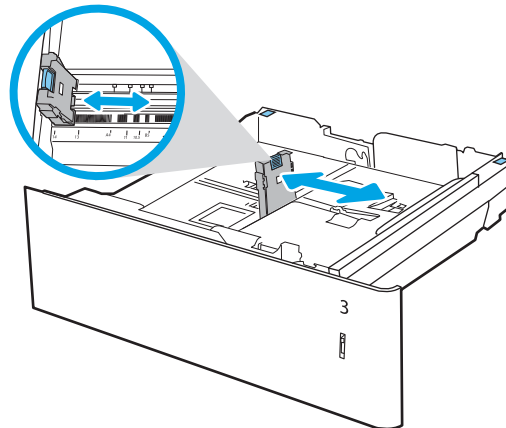
NOTE: Do not open this tray while the printer is printing.



2. Before loading paper, adjust the paper-width guides by squeezing the blue adjustment latches and sliding the guides to the size of the paper being used.

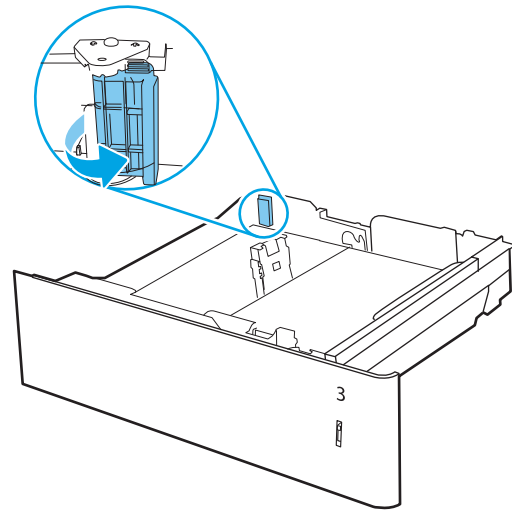


3. Adjust the paper-length guide by squeezing the adjustment latch and sliding the guide to the size of the paper being used.



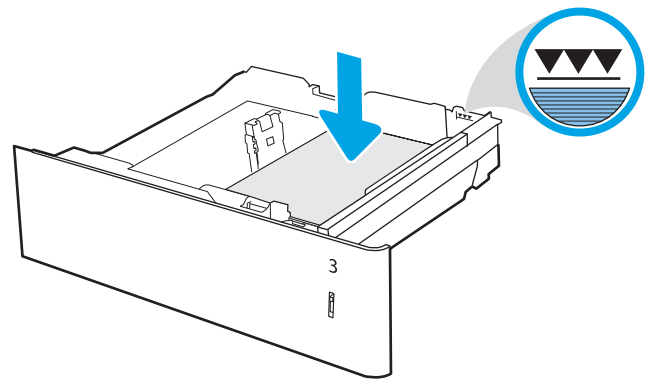
4. For any of the following paper sizes, also adjust the blue paper-stop lever in the left rear corner of the tray to the correct position, as indicated by the label in the tray:

- 12 x 18
- RA3
- 11 x 17
- A3
- SRA3



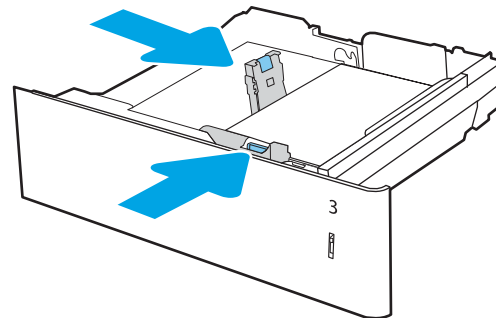
5. Load paper into the tray. For information about how to orient the paper, see [Table 2-4 2 x 550-sheet tray paper orientation on page 41](#).

NOTE: To prevent jams, do not overfill the tray. Be sure that the top of the stack is below the tray full indicator.

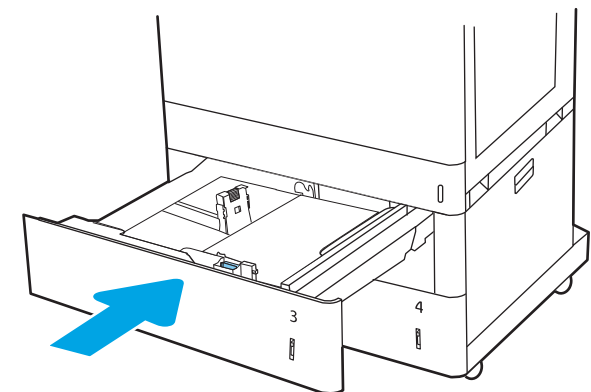


6. Check the paper to verify the guides lightly touch the stack, but do not bend it.

NOTE: Do not adjust the paper guides tightly against the paper stack. Adjust them to the indentations or markings in the tray.

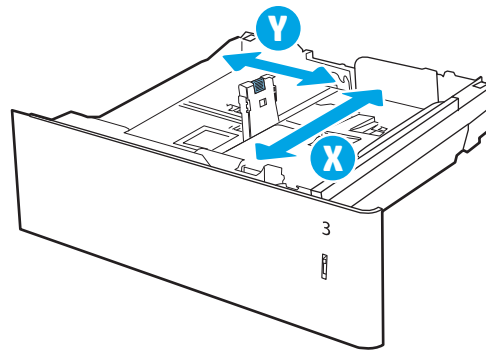


7. Close the tray.



8. The tray configuration message displays on the printer control panel.
9. Press the **OK** button to accept the detected type and size, or select **Modify** to choose a different paper size or type.

For custom-size paper, specify the **X** and **Y** dimensions for the paper when the prompt displays on the printer control panel.



2 x 550-sheet paper tray paper orientation

Table 2-4 2 x 550-sheet tray paper orientation

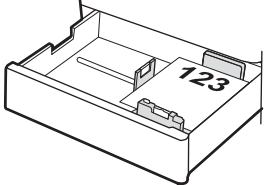
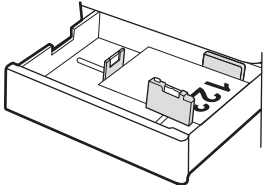
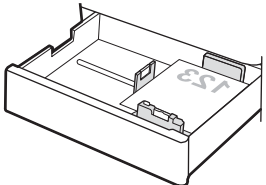
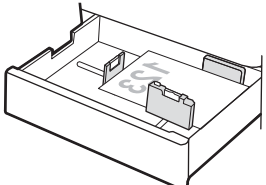
Paper type	Image orientation	Duplex mode	Paper size	How to load paper
Letterhead or preprinted	Portrait	1-sided printing	A4, Letter, 16K (197x273 mm) 16K (195x270 mm), Executive, A5, 16K (184x260 mm), B5 (JIS), Double Japan Postcard (148x200 mm)	<p>Face-up</p> <p>Top edge at the back of the tray</p> <p>NOTE: This is the preferred orientation when printing on A4 or Letter.</p> 
			12x18, 11x17, A3, 8K (273x397 mm), 8K (270x390 mm), 8K (260x368 mm), B4 (JIS), Legal, Oficio (8.5x13), Oficio (216x340 mm), SRA3, RA3, SRA4, RA4, A4, Letter	<p>Face-up</p> <p>Top edge at the right side of the tray</p> 
		Automatic 2-sided printing or with Alternative Letterhead Mode enabled	A4, Letter, 16K (197x273 mm) 16K (195x270 mm), Executive, A5, 16K (184x260 mm), B5 (JIS), Double Japan Postcard (148x200 mm)	<p>Face-down</p> <p>Top edge at the back of the tray</p> <p>NOTE: This is the preferred orientation when printing on A4 or Letter.</p> 
			12x18, 11x17, A3, 8K (273x397 mm), 8K (270x390 mm), 8K (260x368 mm), B4 (JIS), Legal, Oficio (8.5x13), Oficio (216x340 mm), SRA3, RA3, SRA4, RA4, A4, Letter	<p>Face-down</p> <p>Top edge at the left side of the tray</p> 

Table 2-4 2 x 550-sheet tray paper orientation (continued)

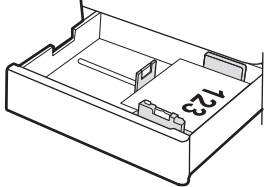
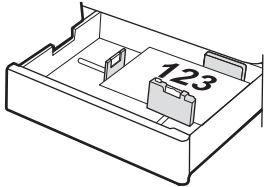
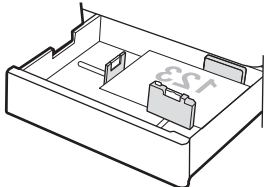
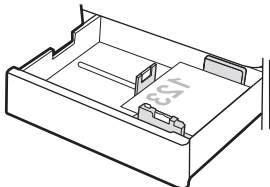
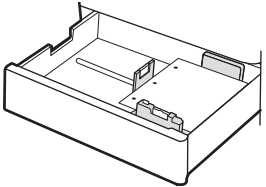
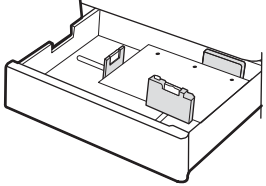
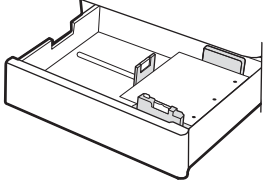
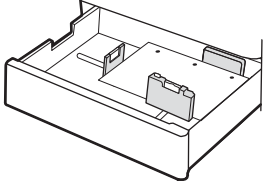
Paper type	Image orientation	Duplex mode	Paper size	How to load paper
Letterhead or preprinted (continued)	Landscape	1-sided printing	A4, Letter, 16K (197x273 mm) 16K (195x270 mm), Executive, A5, 16K (184x260 mm), B5 (JIS), Double Japan Postcard (148x200 mm)	Face-up Top edge at the right side of the tray NOTE: This is the preferred orientation when printing on A4 or Letter.
				
			12x18, 11x17, A3, 8K (273x397 mm), 8K (270x390 mm), 8K (260x368 mm), B4 (JIS), Legal, Oficio (8.5x13), Oficio (216x340 mm), SRA3, RA3, SRA4, RA4, A4, Letter	Face-up Top edge at the back of the tray
				
		Automatic 2-sided printing or with Alternative Letterhead Mode enabled	12x18, 11x17, A3, 8K (273x397 mm), 8K (270x390 mm), 8K (260x368 mm), B4 (JIS), Legal, Oficio (8.5x13), Oficio (216x340 mm), SRA3, RA3, SRA4, RA4, A4, Letter	Face-down Top edge at the back of the tray
				
			A4, Letter, 16K (197x273 mm) 16K (195x270 mm), Executive, A5, 16K (184x260 mm), B5 (JIS), Double Japan Postcard (148x200 mm)	Face-down Top edge at the left side of the tray NOTE: This is the preferred orientation when printing on A4 or Letter.
				

Table 2-4 2 x 550-sheet tray paper orientation (continued)

Paper type	Image orientation	Duplex mode	Paper size	How to load paper
Prepunched	Portrait	1-sided printing	A4, Letter, 16K (197x273 mm) 16K (195x270 mm), Executive, A5, 16K (184x260 mm), B5 (JIS), Double Japan Postcard (148x200 mm)	<p>Face-up</p> <p>Holes at the left side of the tray, with the top of the form at the rear of the printer</p> <p>NOTE: This is the preferred orientation when printing on A4 or Letter.</p> 
			12x18, 11x17, A3, 8K (273x397 mm), 8K (270x390 mm), 8K (260x368 mm), B4 (JIS), Legal, Oficio (8.5x13), Oficio (216x340 mm), SRA3, RA3, SRA4, RA4, A4, Letter	<p>Face-up</p> <p>Holes at the back of the tray</p> 
		Automatic 2-sided printing or with Alternative Letterhead Mode enabled	A4, Letter, 16K (197x273 mm) 16K (195x270 mm), Executive, A5, 16K (184x260 mm), B5 (JIS), Double Japan Postcard (148x200 mm)	<p>Face-down</p> <p>Holes at the right side of the tray</p> <p>NOTE: This is the preferred orientation when printing on A4 or Letter.</p> 
			12x18, 11x17, A3, 8K (273x397 mm), 8K (270x390 mm), 8K (260x368 mm), B4 (JIS), Legal, Oficio (8.5x13), Oficio (216x340 mm), SRA3, RA3, SRA4, RA4, A4, Letter	<p>Face-down</p> <p>Holes at the back of the tray</p> 

Use alternative letterhead mode

Use the [Alternative Letterhead Mode](#) feature to load letterhead or preprinted paper into the tray the same way for all jobs, whether printing to one side of the sheet of paper or to both sides. When using this mode, load paper as for automatic duplex printing.

To use the feature, enable it by using the printer control-panel menus.

Enable Alternative Letterhead Mode by using the printer control-panel menus

1. From the Home screen on the printer control panel, open the [Settings](#) menu.
2. Open the following menus:
 - [Print](#)
 - [Manage Trays](#)
 - [Alternative Letterhead Mode](#)
3. Select [On](#), and then press the [OK](#) button.

Load paper to the 2,700-sheet high-capacity input paper trays

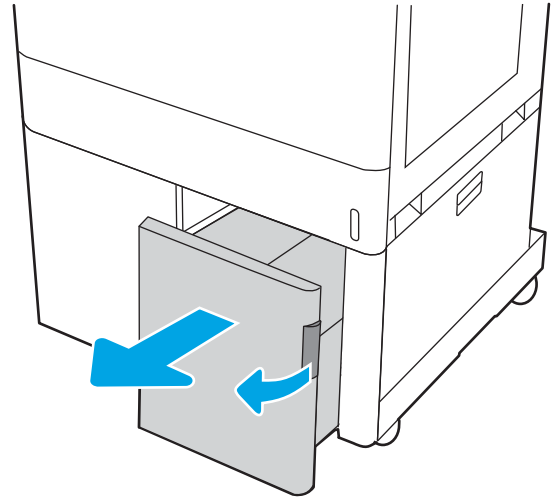
Introduction

The following information describes how to load paper into the high-capacity input (HCI) paper tray. This tray holds up to 2,700 sheets of 75 g/m² (20 lb) paper.

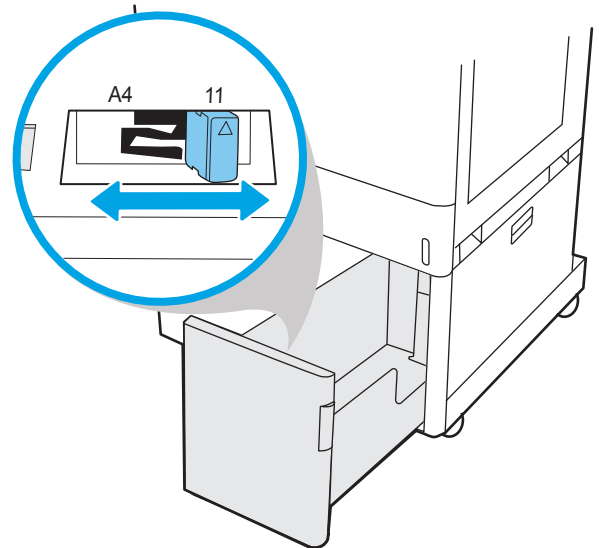
CAUTION: Do not extend more than one paper tray at a time.

1. Release the tray latch, and then slide the tray away from the printer to open it.

NOTE: Do not open this tray while the printer is printing.



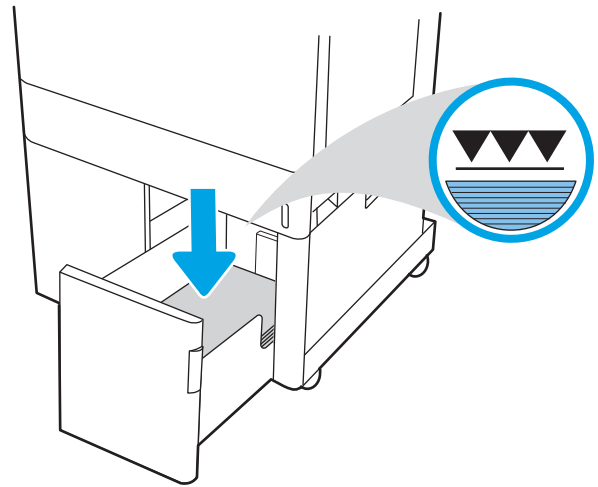
2. Adjust the paper-size guide to the correct position for the paper.



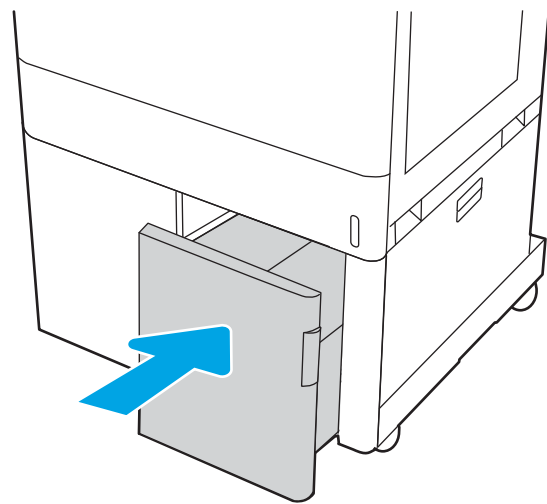
3. Load paper into the tray. Check the paper to verify the guides lightly touch the stack, but do not bend it. For information about how to orient the paper, see [Table 2-5 2,700-sheet HCl paper tray paper orientation on page 47](#).

NOTE: To prevent jams, do not overfill the tray. Be sure that the top of the stack is below the tray full indicator.

NOTE: If the tray is not adjusted correctly, an error message might appear during printing or the paper might jam.



4. Close the tray.



5. The tray configuration message displays on the printer control panel.
6. Press the **OK** button to accept the detected type and size, or select **Modify** to choose a different paper size or type.

2,700-sheet HCI paper tray paper orientation

Table 2-5 2,700-sheet HCI paper tray paper orientation

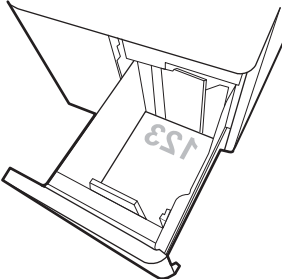
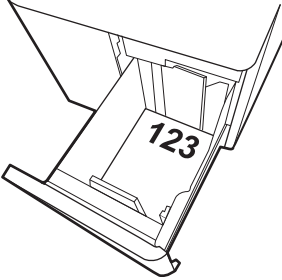
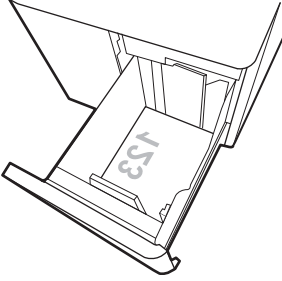
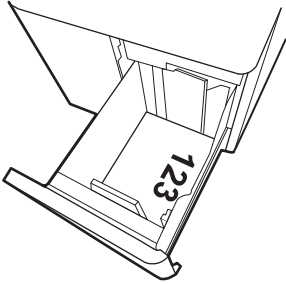
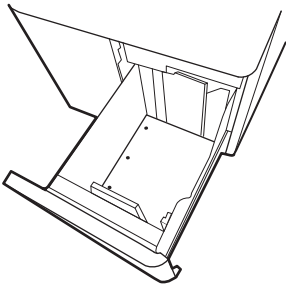
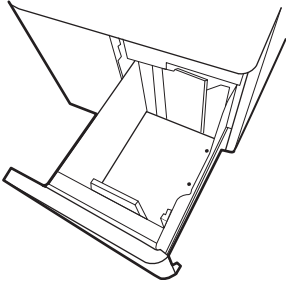
Paper type	Image orientation	Duplex mode	Paper size	How to load paper
Letterhead or preprinted	Portrait	1-sided printing	A4, Letter	Face-down Top edge at the back of the tray
				
		Automatic 2-sided printing or with Alternative Letterhead Mode enabled	A4, Letter	Face-up Top edge at the back of the tray
				
	Landscape	1-sided printing	A4, Letter	Face-down Top edge at the left side of the tray
				

Table 2-5 2,700-sheet HCI paper tray paper orientation (continued)

Paper type	Image orientation	Duplex mode	Paper size	How to load paper
Letterhead or preprinted (continued)	Landscape (continued)	Automatic 2-sided printing or with Alternative Letterhead Mode enabled	A4, Letter	Face-up Top edge at the right side of the tray
				
Prepunched	Landscape	1-sided printing	A4, Letter	Face-down Holes at the left side of the tray
				
		Automatic 2-sided printing or with Alternative Letterhead Mode enabled	A4, Letter	Face-up Holes at the right side of the tray, with the top of the form to the right side
				

Use alternative letterhead mode

Use the [Alternative Letterhead Mode](#) feature to load letterhead or preprinted paper into the tray the same way for all jobs, whether printing to one side of the sheet of paper or to both sides. When using this mode, load paper as for automatic duplex printing.

To use the feature, enable it by using the printer control-panel menus.

Enable Alternative Letterhead Mode by using the printer control-panel menus

1. From the Home screen on the printer control panel, open the [Settings](#) menu.
2. Open the following menus:
 - [Print](#)
 - [Manage Trays](#)
 - [Alternative Letterhead Mode](#)
3. Select [On](#), and then press the [OK](#) button.

Load and print envelopes

Introduction


The following information describes how to print and load envelopes. Use only Tray 1 to print on envelopes. Tray 1 holds up to 10 envelopes.

To print envelopes using the manual feed option, follow these steps to select the correct settings in the print driver, and then load the envelopes into the tray after sending the print job to the printer.

Print envelopes

1. From the software program, select the **Print** option.
2. Select the printer from the list of printers, and then click the **Properties** or **Preferences** button to open the print driver.

 **NOTE:** The name of the button varies for different software programs.

 **NOTE:** To access these features from a Windows 8 or 8.1 Start screen app, select **Devices**, select **Print**, and then select the printer.

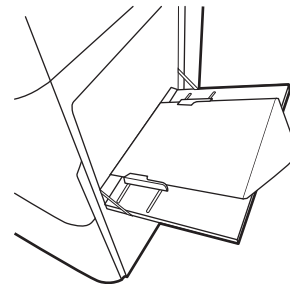
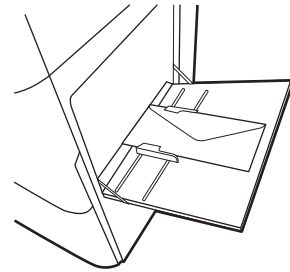
 **NOTE:** To access these features from Windows 10, select **Print**, and then select the printer.

3. Click the **Paper/Quality** tab.
4. In the **Paper size** drop-down list, select the correct size for the envelopes.
5. In the **Paper type** drop-down list, select **Envelope**.
6. In the **Paper source** drop-down list, select **Manual feed**.
7. Click the **OK** button to close the **Document Properties** dialog box.
8. In the **Print** dialog box, click the **OK** button to print the job.

Envelope orientation

 **NOTE:** The printer does not support duplex printing on envelopes.

Tray	Envelope size	How to load
Tray 1	Envelope #9, Envelope #10, Envelope Monarch, Envelope DL, Envelope B5, Envelope C5 (wallet), Envelope C6	Face-down Top edge toward the back of the printer
	Envelope B5, Envelope C5 (pocket)	Face-down Bottom edge leading into the printer; top flap open



Load and print labels

Introduction


The following information describes how to print and load labels.

To print labels using the manual feed option, follow these steps to select the correct settings in the print driver, and then load the labels into the tray after sending the print job to the printer. When using manual feed, the printer waits to print the job until it detects that the tray has been opened.

Manually feed labels


1. From the software program, select the **Print** option.
2. Select the printer from the list of printers, and then click the **Properties** or **Preferences** button to open the print driver.

 **NOTE:** The name of the button varies for different software programs.

 **NOTE:** To access these features from a Windows 8 or 8.1 Start screen app, select **Devices**, select **Print**, and then select the printer.

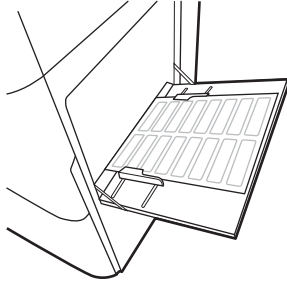
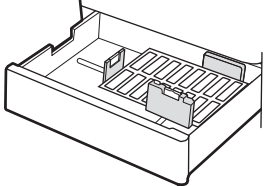
 **NOTE:** To access these features from Windows 10, select **Print**, and then select the printer.

3. Click the **Paper/Quality** tab.
4. In the **Paper size** drop-down list, select the correct size for the sheets of labels.
5. In the **Paper type** drop-down list, select **Labels**.
6. In the **Paper source** drop-down list, select **Manual feed**.

 **NOTE:** When using manual feed, the printer prints from the lowest-numbered tray that is configured for the correct size of paper, so it is not necessary to specify a particular tray. For example, if Tray 2 is configured for labels, the printer will print from Tray 2. If Tray 3 is installed and configured for labels, but Tray 2 is not configured for labels, the printer will print from Tray 3.

7. Click the **OK** button to close the **Document Properties** dialog box.
8. In the **Print** dialog box, click the **Print** button to print the job.

Label orientation

Tray	How to load labels
Tray 1	Face-down Bottom edge leading into the printer 
550-sheet trays	Face-up Top edge at the left side of the tray 

3 Supplies, accessories, and parts

- [Order supplies, accessories, and parts](#)
- [Replace the toner cartridges](#)
- [Replace the toner-collection unit](#)

For more information

The following information is correct at the time of publication.

For video assistance, see www.hp.com/videos/LaserJet.

For current information, see www.hp.com/support/colorljE75245.

HP's all-inclusive help for the printer includes the following information:

- Install and configure
- Learn and use
- Solve problems
- Download software and firmware updates
- Join support forums
- Find warranty and regulatory information

Order supplies, accessories, and parts

Ordering

Contact your managed service representative. Make sure that you know your product model number, which appears on the product label on the back of the printer.

Replace the toner cartridges

Toner-cartridge information

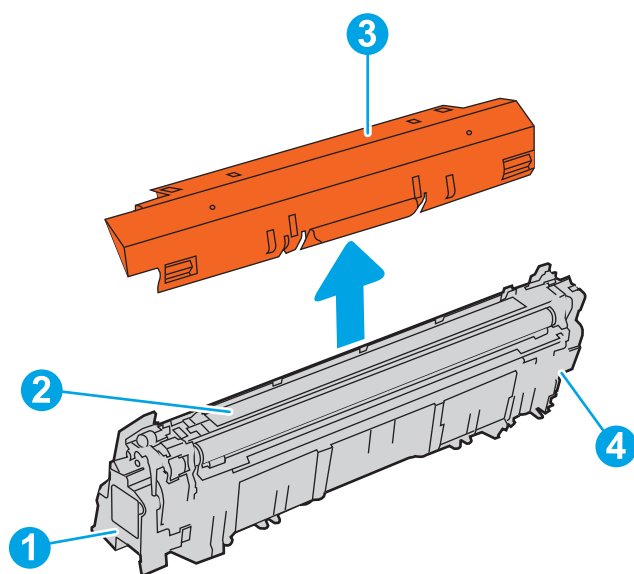
This printer indicates when the toner-cartridge level is low and very low. The actual toner-cartridge life remaining can vary. Consider having a replacement cartridge available to install when print quality is no longer acceptable.

The printer uses four colors and has a different toner cartridge for each color: yellow (Y), magenta (M), cyan (C), and black (K). The toner cartridges are inside the front door.

Do not remove the toner cartridge from its package until it is time to replace it.

⚠ CAUTION: Do not touch the developer roller. Fingerprints on the developer roller can cause print-quality problems.

The following illustration shows the toner-cartridge components.



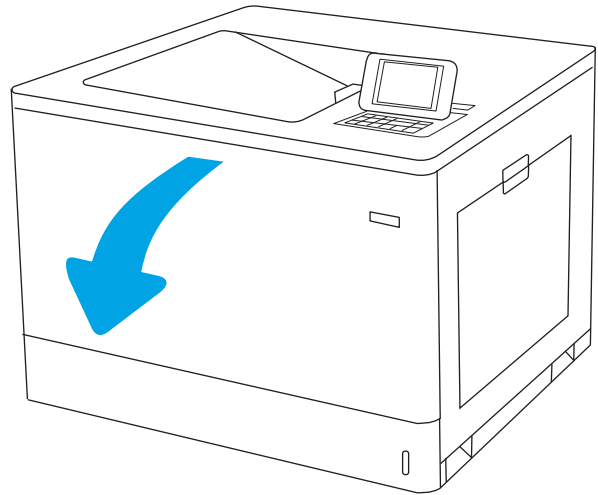
1	Handle
2	Developer roller
3	Protective shield
4	Memory chip

⚠ CAUTION: If toner gets on clothing, wipe it off by using a dry cloth and wash the clothes in cold water. Hot water sets toner into fabric.

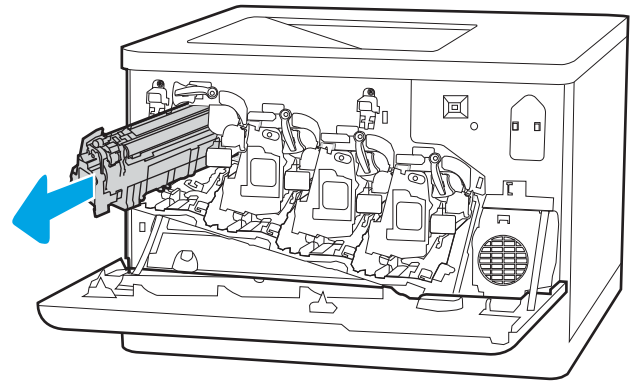
📄 NOTE: Information about recycling used toner cartridges is in the toner-cartridge box.

Remove and replace the cartridges

1. Open the front door.

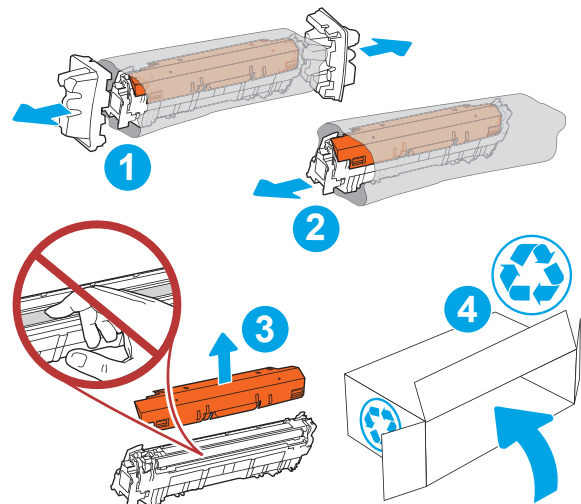


2. Grasp the handle of the used toner cartridge and pull out to remove it.

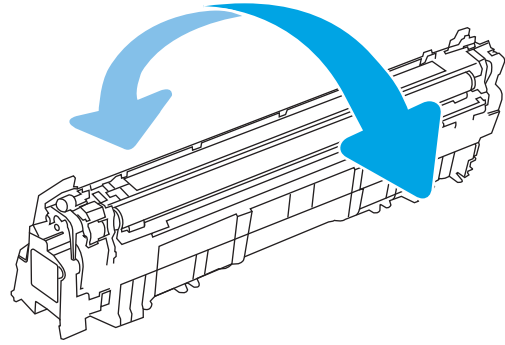


3. Remove the new toner cartridge from its packaging by removing the end caps, removing the cartridge from the plastic bag, and then removing the orange protective shield. Save all packaging for recycling the used toner cartridge.

NOTE: Do not touch the developer roller. Fingerprints on the developer roller can cause print-quality problems.

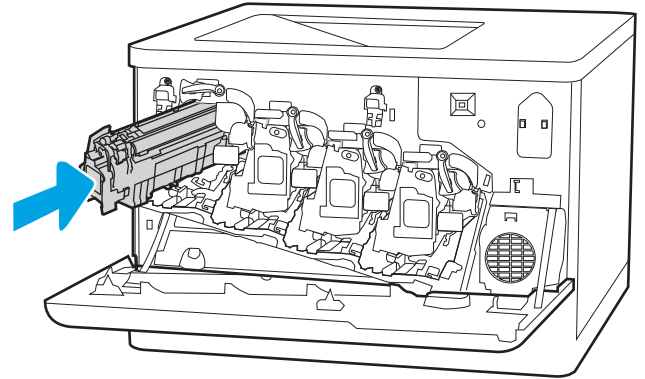


4. Hold both ends of the toner cartridge and rock it 5-6 times.

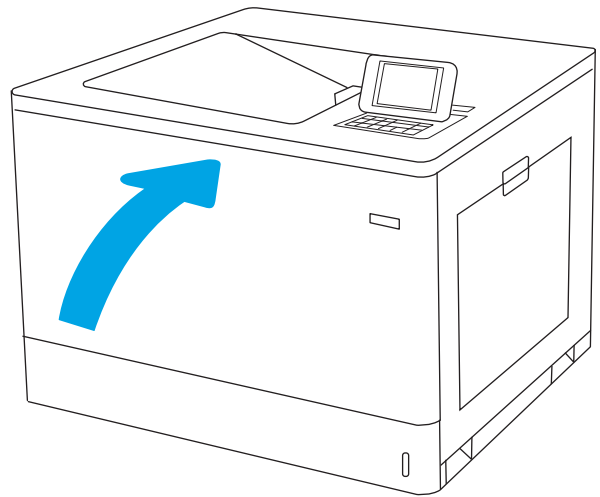


5. Support the toner cartridge underneath with one hand while holding the cartridge handle with the other. Align the toner cartridge with its slot on the shelf, and then insert the toner cartridge into the printer.

NOTE: Avoid touching the developer roller. Fingerprints on the developer roller can cause print defects.



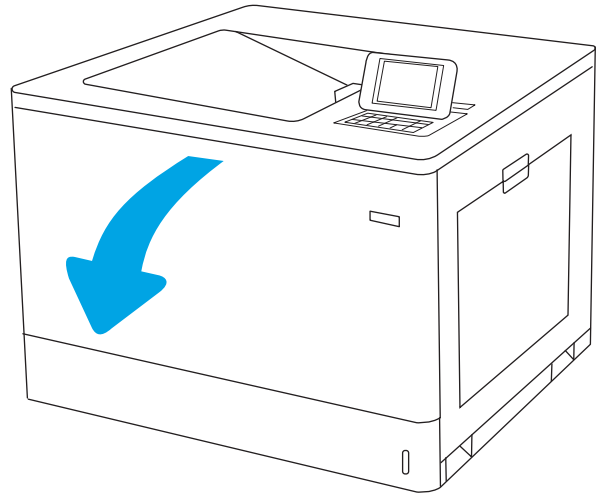
6. Close the front door.



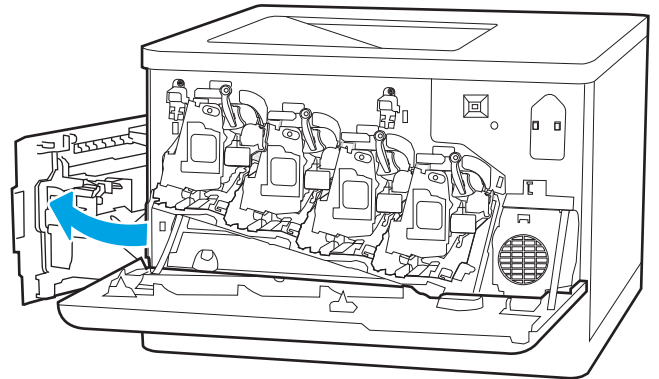
Replace the toner-collection unit

Remove and replace the toner-collection unit

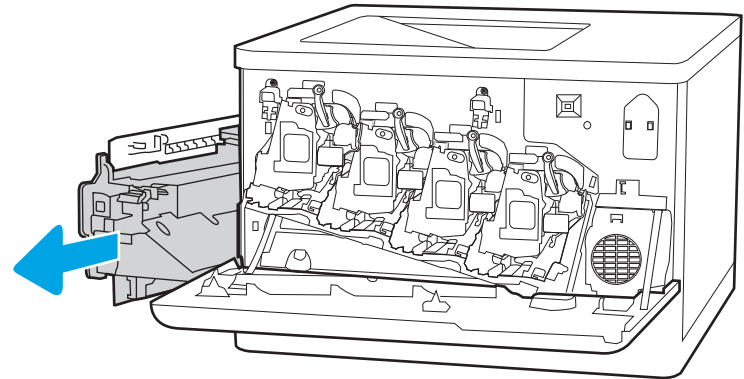
1. Open the front door.



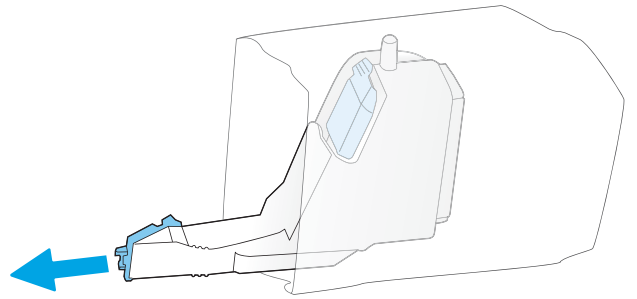
2. Open the left door.



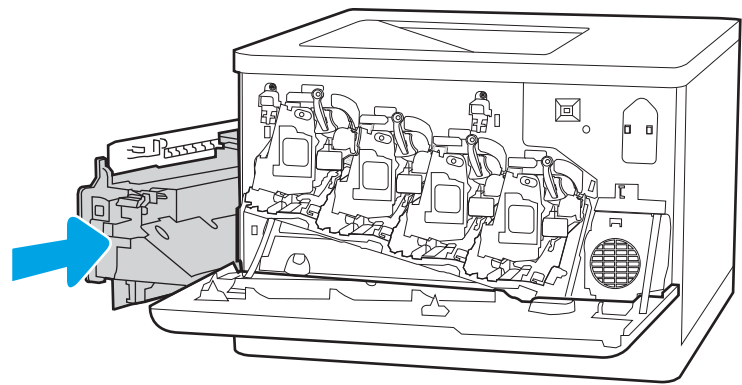
3. Grasp the front of the toner-collection unit and remove it from the printer.



4. Remove the new toner-collection unit from its packaging.



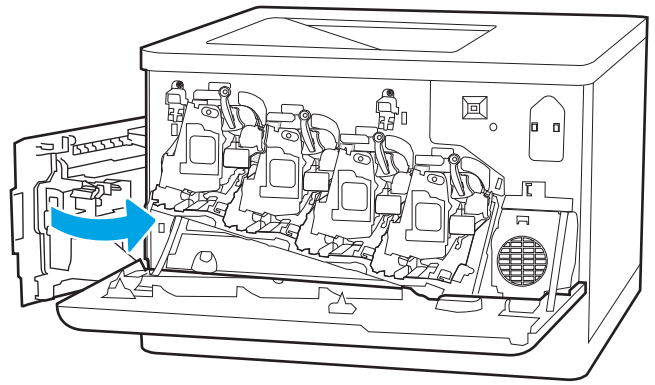
5. Install the new unit into the printer. Make sure the toner-collection unit is firmly in place.



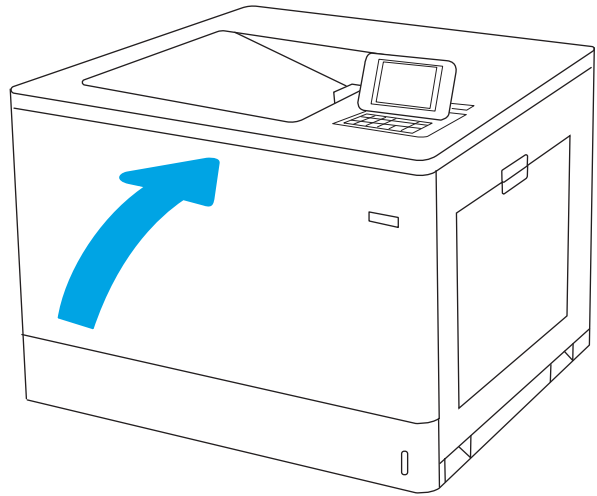
6. Close the left door.

NOTE: If the toner-collection unit is not installed correctly, the left door does not close completely.

To recycle the used toner-collection unit, follow the instructions included with the new toner-collection unit.



7. Close the front door.



4 Print

- [Print tasks \(Windows\)](#)
- [Print tasks \(macOS\)](#)
- [Store print jobs on the printer to print later or print privately](#)
- [Mobile printing](#)
- [Print from a USB flash drive](#)
- [Print using high-speed USB 2.0 port \(wired\)](#)

For more information

The following information is correct at the time of publication.

For video assistance, see www.hp.com/videos/LaserJet.

For current information, see www.hp.com/support/colorljE75245.

HP's all-inclusive help for the printer includes the following information:

- Install and configure
- Learn and use
- Solve problems
- Download software and firmware updates
- Join support forums
- Find warranty and regulatory information


Print tasks (Windows)

How to print (Windows)

The following procedure describes the basic printing process for Windows.

1. From the software program, select the **Print** option.
2. Select the printer from the list of printers. To change settings, click the **Properties** or **Preferences** button to open the print driver.

 **NOTE:** The name of the button varies for different software programs.

 **NOTE:** In Windows 10, 8.1, and 8, these applications will have a different layout with different features from what is described below for desktop applications. To access the print feature from a Start screen app, complete the following steps:

- **Windows 10:** Select **Print**, and then select the printer.
- **Windows 8.1 or 8:** Select **Devices**, select **Print**, and then select the printer.

 **NOTE:** For more information, click the Help (?) button in the print driver.


3. Click the tabs in the print driver to configure the available options. For example, set the paper orientation on the **Finishing** tab, and set the paper source, paper type, paper size, and quality settings on the **Paper/Quality** tab.
4. Click the **OK** button to return to the **Print** dialog box. Select the number of copies to print from this screen.
5. Click the **Print** button to print the job.

Automatically print on both sides (Windows)

Use this procedure for printers that have an automatic duplexer installed. If the printer does not have an automatic duplexer installed, or to print on paper types that the duplexer does not support, print on both sides manually.

1. From the software program, select the **Print** option.
2. Select the printer from the list of printers, and then click the **Properties** or **Preferences** button to open the print driver.

 **NOTE:** The name of the button varies for different software programs.

 **NOTE:** In Windows 10, 8.1, and 8, these applications will have a different layout with different features from what is described below for desktop applications. To access the print feature from a Start screen app, complete the following steps:

- **Windows 10:** Select **Print**, and then select the printer.
- **Windows 8.1 or 8:** Select **Devices**, select **Print**, and then select the printer.


-
3. Click the **Finishing** tab.
 4. Select **Print on both sides**. Click **OK** to close the **Document Properties** dialog.
 5. In the **Print** dialog, click **Print** to print the job.

Manually print on both sides (Windows)

Use this procedure for printers that do not have an automatic duplexer installed or to print on paper that the duplexer does not support.

1. From the software program, select the **Print** option.
2. Select the printer from the list of printers, and then click the **Properties** or **Preferences** button to open the print driver.

 **NOTE:** The name of the button varies for different software programs.


 **NOTE:** In Windows 10, 8.1, and 8, these applications will have a different layout with different features from what is described below for desktop applications. To access the print feature from a Start screen app, complete the following steps:


- **Windows 10:** Select **Print**, and then select the printer.
 - **Windows 8.1 or 8:** Select **Devices**, select **Print**, and then select the printer.
-

3. Click the **Finishing** tab.
4. Select **Print on both sides (manually)**, and then click **OK** to close the **Document Properties** dialog.
5. In the **Print** dialog, click **Print** to print the first side of the job.
6. Retrieve the printed stack from the output bin, and place it in Tray 1.
7. If prompted, select the appropriate control panel button to continue.

Print multiple pages per sheet (Windows)

1. From the software program, select the **Print** option.
2. Select the printer from the list of printers, and then click the **Properties** or **Preferences** button to open the print driver.

 **NOTE:** The name of the button varies for different software programs.


 **NOTE:** In Windows 10, 8.1, and 8, these applications will have a different layout with different features from what is described below for desktop applications. To access the print feature from a Start screen app, complete the following steps:


- **Windows 10:** Select **Print**, and then select the printer.
 - **Windows 8.1 or 8:** Select **Devices**, select **Print**, and then select the printer.
-

3. Click the **Finishing** tab.
4. Select the number of pages per sheet from the **Pages per sheet** drop-down.
5. Select the correct **Print page borders**, **Page order**, and **Orientation** options. Click **OK** to close the **Document Properties** dialog.
6. In the **Print** dialog, click **Print** to print the job.

Select the paper type (Windows)

1. From the software program, select the **Print** option.
2. Select the printer from the list of printers, and then click the **Properties** or **Preferences** button to open the print driver.

 **NOTE:** The name of the button varies for different software programs.

 **NOTE:** In Windows 10, 8.1, and 8, these applications will have a different layout with different features from what is described below for desktop applications. To access the print feature from a Start screen app, complete the following steps:

- **Windows 10:** Select **Print**, and then select the printer.
 - **Windows 8.1 or 8:** Select **Devices**, select **Print**, and then select the printer.
-

3. Click the **Paper/Quality** tab.
4. Select the paper type from the **Paper type** drop-down list.
5. Click **OK** to close the **Document Properties** dialog. In the **Print** dialog, click **Print** to print the job.

If the tray needs to be configured, a tray configuration message displays on the printer control panel.

6. Load the tray with the specified type and size of paper, and then close the tray.
7. Press the **OK** button to accept the detected type and size, or select **Modify** to choose a different paper size or type.
8. Select the correct type and size, and then touch the **OK** button.

Additional print tasks

Go to www.hp.com/support/colorljE75245.

Instructions are available for performing specific print tasks, such as the following:

- Create and use printing shortcuts or presets
- Select the paper size, or use a custom paper size
- Select the page orientation
- Create a booklet
- Scale a document to fit a specific paper size
- Print the first or last pages of the document on different paper
- Print watermarks on a document

Print tasks (macOS)

How to print (macOS)

The following procedure describes the basic printing process for macOS.

1. Click the **File** menu, and then click the **Print** option.
2. Select the printer.
3. Click **Show Details** or **Copies & Pages**, and then select other menus to adjust the print settings.

 **NOTE:** The name of the item varies for different software programs.

4. Click the **Print** button.

Automatically print on both sides (macOS)

 **NOTE:** This information applies to printers that include an automatic duplexer.

 **NOTE:** This feature is available if you install the HP print driver. It might not be available if you are using AirPrint.

1. Click the **File** menu, and then click the **Print** option.
2. Select the printer.
3. Click **Show Details** or **Copies & Pages**, and then click the **Layout** menu.

 **NOTE:** The name of the item varies for different software programs.

4. Select a binding option from the **Two-Sided** drop-down list.
5. Click the **Print** button.

Manually print on both sides (macOS)

 **NOTE:** This feature is available if you install the HP print driver. It might not be available if you are using AirPrint.

1. Click the **File** menu, and then click the **Print** option.
2. Select the printer.
3. Click **Show Details** or **Copies & Pages**, and then click the **Manual Duplex** menu.

 **NOTE:** The name of the item varies for different software programs.

4. Click the **Manual Duplex** box, and select a binding option.
5. Click the **Print** button.
6. Go to the printer, and remove any blank paper that is in Tray 1.
7. Retrieve the printed stack from the output bin and place it with the printed-side facing down in the input tray.
8. If prompted, touch the appropriate control panel button to continue.

Print multiple pages per sheet (macOS)

1. Click the **File** menu, and then click the **Print** option.
2. Select the printer.
3. Click **Show Details** or **Copies & Pages**, and then click the **Layout** menu.

 **NOTE:** The name of the item varies for different software programs.


4. From the **Pages per Sheet** drop-down list, select the number of pages that you want to print on each sheet.
5. In the **Layout Direction** area, select the order and placement of the pages on the sheet.
6. From the **Borders** menu, select the type of border to print around each page on the sheet.
7. Click the **Print** button.

Select the paper type (macOS)

1. Click the **File** menu, and then click the **Print** option.
2. Select the printer.
3. Click **Show Details** or **Copies & Pages**, and then click the **Media & Quality** menu or the **Paper/Quality** menu.

 **NOTE:** The name of the item varies for different software programs.

4. Select from the **Media & Quality** or **Paper/Quality** options.

 **NOTE:** This list contains the master set of options available. Some options are not available on all printers.

- **Media Type:** Select the option for the type of paper for the print job.
 - **Print Quality:** Select the resolution level for the print job.
 - **Edge-To-Edge Printing:** Select this option to print close to the paper edges.
5. Click the **Print** button.

Additional print tasks

Go to www.hp.com/support/colorljE75245.

Instructions are available for performing specific print tasks, such as the following:

- Create and use printing shortcuts or presets
- Select the paper size, or use a custom paper size
- Select the page orientation
- Create a booklet
- Scale a document to fit a specific paper size

- Print the first or last pages of the document on different paper
- Print watermarks on a document

Store print jobs on the printer to print later or print privately

Introduction

The following information provides procedures for creating and printing documents that are stored on the printer. These jobs can be printed at a later time or printed privately.


- [Create a stored job \(Windows\)](#)
- [Create a stored job \(macOS\)](#)
- [Print a stored job](#)
- [Delete a stored job](#)
- [Information sent to printer for Job Accounting purposes](#)

Create a stored job (Windows)

Store jobs on the printer for private or delayed printing.

1. From the software program, select the **Print** option.
2. Select the printer from the list of printers, and then select **Properties** or **Preferences** (the name varies for different software programs).

 **NOTE:** The name of the button varies for different software programs.

 **NOTE:** In Windows 10, 8.1, and 8, these applications will have a different layout with different features from what is described below for desktop applications. To access the print feature from a Start screen app, complete the following steps:

- **Windows 10:** Select **Print**, and then select the printer.
 - **Windows 8.1 or 8:** Select **Devices**, select **Print**, and then select the printer.
-
3. Click the **Job Storage** tab.
 4. Select a **Job Storage Mode** option.
 - **Proof and Hold:** Print and proof one copy of a job, and then print more copies.
 - **Personal Job:** The job does not print until you request it at the printer control panel. For this job-storage mode, you can select one of the **Make Job Private/Secure** options. If you assign a personal identification number (PIN) to the job, you must provide the required PIN at the control panel. If you encrypt the job, you must provide the required password at the control panel. The print job is deleted from memory after it prints and is lost if the printer loses power.
 - **Quick Copy:** Print the requested number of copies of a job and store a copy of the job in the printer memory so you can print it again later.
 - **Stored Job:** Store a job on the printer and allow other users to print the job at any time. For this job-storage mode, you can select one of the **Make Job Private/Secure** options. If you assign a personal identification number (PIN) to the job, the person who prints the job must provide the required PIN at the control panel. If you encrypt the job, the person who prints the job must provide the required password at the control panel.

5. To use a custom user name or job name, click the **Custom** button, and then enter the user name or the job name.

Select which option to use if another stored job already has that name:

- **Use Job Name + (1-99):** Append a unique number to the end of the job name.
 - **Replace Existing File:** Overwrite the existing stored job with the new one.
6. Click the **OK** button to close the **Document Properties** dialog box. In the **Print** dialog box, click the **Print** button to print the job.

Create a stored job (macOS)

Store jobs on the printer for private or delayed printing.


1. Click the **File** menu, and then click the **Print** option.
2. In the **Printer** menu, select the printer.
3. By default, the print driver displays the **Copies & Pages** menu. Open the menus drop-down list, and then click the **Job Storage** menu.
4. In the **Mode** drop-down list, select the type of stored job.
 - **Proof and Hold:** Print and proof one copy of a job, and then print more copies.
 - **Personal Job:** The job does not print until someone requests it at the printer control panel. If the job has a personal identification number (PIN), provide the required PIN at the control panel. The print job is deleted from memory after it prints and is lost if the printer loses power.
 - **Quick Copy:** Print the requested number of copies of a job and store a copy of the job in the printer memory to print it again later.
 - **Stored Job:** Store a job on the printer and allow other users to print the job at any time. If the job has a personal identification number (PIN), the person who prints the job must provide the required PIN at the control panel.
5. To use a custom user name or job name, click the **Custom** button, and then enter the user name or the job name.

Select which option to use if another stored job already has that name.

- **Use Job Name + (1-99):** Append a unique number to the end of the job name.
 - **Replace Existing File:** Overwrite the existing stored job with the new one.
6. If you selected the **Stored Job** or **Personal Job** option in step 4, you can protect the job with a PIN. Type a 4-digit number in the **Use PIN to Print** field. When other people attempt to print this job, the printer prompts them to enter this PIN number.
 7. Click the **Print** button to process the job.

Print a stored job

Use this procedure to print a job that is stored in the printer memory.


1. From the Home screen on the printer control panel, select [Job Storage](#).
2. Under [Stored Job to Print](#), select the name of the folder where the job is stored.
3. Select the name of the job, and then select [Select](#).
If the job is private or encrypted, enter the PIN or password.
4. To adjust the number of copies, select the number of copies field in the bottom-left corner of the screen. Use the keypad to enter the number of copies to print.
5. Select [Start](#)  or [Print](#) to print the job.

Delete a stored job

You can delete documents that have been saved to the printer when they are no longer needed. You can also adjust the maximum number of jobs for the printer to store.

Delete a job that is stored on the printer

Follow these steps to delete a job that is stored in the printer memory.

1. From the Home screen on the printer control panel, select [Job Storage](#).
2. Under [Stored Job to Print](#), select the name of the folder where the job is stored.
3. Select the name of the job.
4. Select the Trash  button to delete the job.
If the job is private or encrypted, enter the PIN or password, and then select [OK](#).
5. Select [Delete Jobs](#) on the confirmation prompt.

Change the job storage limit

When a new job is stored in the printer memory, the printer overwrites any previous jobs with the same user and job name. If a job is not already stored under the same user and job name, and the printer needs additional space, the printer might delete other stored jobs starting with the oldest. Follow these steps to change the number of jobs that the printer can store:

1. From the Home screen on the printer control panel, select [Settings](#).
2. Open the following menus:
 - [Print](#)
 - [Manage Stored Jobs](#)
 - [Temporary Job Storage Limit](#)
3. Use the keypad to enter the number of jobs that the printer stores.
4. Select [Done](#) to save the setting.

Information sent to printer for Job Accounting purposes

Printing jobs sent from drivers on the client (e.g., PC) may send personally identifiable information to HP's Printing and Imaging devices. This information may include, but is not limited to, user name and client name from which the job originated that may be used for job accounting purposes, as determined by the Administrator of the printing device. This same information may also be stored with the job on the mass storage device (e.g., disk drive) of the printing device when using the job storage feature.

Mobile printing

Introduction

HP offers multiple mobile printing solutions to enable easy printing to an HP printer from a laptop, tablet, smartphone, or other mobile device. To see the full list and to determine the best choice, go to www.hp.com/go/MobilePrinting.



NOTE: Update the printer firmware to ensure all mobile printing and ePrint capabilities are supported.

- [Wi-Fi, Wi-Fi Direct Print, NFC, and BLE printing](#)
- [HP ePrint via email](#)
- [AirPrint](#)
- [Android embedded printing](#)

Wi-Fi, Wi-Fi Direct Print, NFC, and BLE printing

HP provides Wi-Fi, Wi-Fi Direct Print, Near Field Communication (NFC), and Bluetooth Low Energy (BLE) printing for printers with a supported HP Jetdirect 3100w BLE/NFC/Wireless Accessory. This accessory is available as an option for HP LaserJet printers that include a hardware-integration pocket (HIP).

Wi-Fi, Wi-Fi Direct Print, NFC, and BLE printing enable Wi-Fi capable (mobile) devices to make a wireless network connection directly to the printer without using a wireless router.

The printer does not need to be connected to the network for this mobile walk-up printing to work.

Use Wi-Fi Direct Print to print wirelessly from the following devices:




- iPhone, iPad, or iPod touch using Apple AirPrint
- Android mobile devices using the Android embedded print solution
- HP Roam

For more information on wireless printing, go to www.hp.com/go/wirelessprinting.

NFC and Wi-Fi Direct Print capabilities can be enabled or disabled from the printer control panel.

1. From the Home screen on the printer control panel, open the [Settings](#) menu.
2. Open the following menus:
 - [Networking](#)
 - [Wi-Fi Direct](#)
 - [Status](#)
3. Select [On](#), and then select [OK](#) to enable wireless printing.



NOTE: In environments where more than one model of the same printer is installed, it might be helpful to provide each printer a unique Wi-Fi Direct Name for easier printer identification for Wi-Fi Direct printing. The wireless network names, e.g., Wi-Fi, Wi-Fi Direct, etc. are available on the Information screen by pressing or touching the Information  button on the printer control panel, and then selecting the Network  option or the Wireless  option.

Complete the following procedure to change the printer Wi-Fi Direct name:

1. From the Home screen on the printer control panel, open the [Settings](#) menu.
2. Open the following menus:
 - [Networking](#)
 - [Wi-Fi Direct](#)
 - [Wi-Fi Direct name](#)
3. Use the keypad to change the name in the [Wi-Fi Direct Name](#) text field. Select [OK](#).



HP ePrint via email

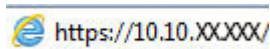
Use HP ePrint to print documents by sending them as an email attachment to the printer's email address from any email enabled device.

To use HP ePrint, the printer must meet these requirements:

- The printer must be connected to a wired or wireless network and have Internet access.
- HP Web Services must be enabled on the printer, and the printer must be registered with HP Connected.


Follow this procedure to enable HP Web Services and register with HP Connected:

1. Open the HP Embedded Web Server (EWS):
 - a. Find the printer IP address. On the printer control panel, press the  button, and then use the arrow keys to select the Ethernet  menu. Press the [OK](#) button to open the menu and display the IP address or host name.
 - b. From a computer on the same network as the printer, open a web browser. In the address line, type the IP address or host name exactly as it displays on the printer control panel. Press the [Enter](#) key on the computer keyboard. The EWS opens.



 **NOTE:** If the web browser displays a message indicating that accessing the website might not be safe, select the option to continue to the website. Accessing this website will not harm the computer.

2. Click the **HP Web Services** tab.
3. Select the option to enable Web Services.


 **NOTE:** Enabling Web Services might take several minutes.
4. Go to www.hpconnected.com to create an HP ePrint account and complete the setup process.

AirPrint

Direct printing using Apple's AirPrint is supported for iOS and from Mac computers running macOS 10.7 Lion and newer. Use AirPrint to print directly to the printer from an iPad, iPhone (3GS or later), or iPod touch (third generation or later) in the following mobile applications:

- Mail
- Photos
- Safari
- iBooks
- Select third-party applications


To use AirPrint, the printer must be connected to the same network (sub-net) as the Apple device. For more information about using AirPrint and about which HP printers are compatible with AirPrint, go to www.hp.com/go/MobilePrinting.

 **NOTE:** Before using AirPrint with a USB connection, verify the version number. AirPrint versions 1.3 and earlier do not support USB connections.

Android embedded printing

HP's built-in print solution for Android and Kindle enables mobile devices to automatically find and print to HP printers that are either on a network or within wireless range for Wi-Fi Direct printing.

The print solution is built into the many versions of the operating system.

 **NOTE:** If printing is not available on your device, go to the [Google Play > Android apps](#) and install the HP Print Service Plugin.

For more information on how to use Android embedded printing and which Android devices are supported, go to www.hp.com/go/MobilePrinting.

Print from a USB flash drive

Introduction

This printer features easy-access USB printing, for quickly printing files without sending them from a computer. The printer accepts standard USB flash drives in the USB port near the control panel. It supports the following types of files:

- .pdf
- .prn
- .pcl
- .ps
- .cht
- [Enable the USB port for printing](#)
- [Print USB documents](#)



Enable the USB port for printing


The USB port is disabled by default. Before using this feature, enable the USB port. Use one of the following methods to enable the port:


Method one: Enable the USB port from the printer control panel menus

1. From the Home screen on the printer control panel, open the [Settings](#) menu.
2. Open the following menus
 - [Print](#)
 - [Enable Print From USB Drive](#)
3. Select the [Enabled](#) option.

Method two: Enable the USB port from the HP Embedded Web Server (network-connected printers only)

1. Find the printer IP address. On the printer control panel, press the  button, and then use the arrow keys to select the Ethernet  menu. Press the [OK](#) button to open the menu and display the IP address or host name.
2. Open a web browser, and in the address line, type the IP address exactly as it displays on the printer control panel. Press the [Enter](#) key on the computer keyboard. The EWS opens.

 <https://10.10.XX.XXX/>

 **NOTE:** If the web browser displays a **There is a problem with this website's security certificate** message when attempting to open the EWS, click **Continue to this website (not recommended)**.

Choosing **Continue to this website (not recommended)** will not harm the computer while navigating within the EWS for the HP printer.

3. Select the **Print** tab.

4. In the left menu, select **Print from USB Drive Settings**.
5. Select **Enable Print from USB Drive**.
6. Click **Apply**.

Print USB documents

1. Insert the USB flash drive into the easy-access USB port.




NOTE: The port might be covered. For some printers, the cover flips open. For other printers, pull the cover straight out to remove it.

2. From the Home screen on the printer control panel, select **USB Drive**.
3. Select **Choose**, select the name of the document to print, and then select **Select**.



NOTE: The document might be in a folder. Open folders as necessary.

4. To adjust the number of copies, select the field for the number of copies. Use the keypad to enter the number of copies to print.
5. Press the Start  button to print the document.

Print using high-speed USB 2.0 port (wired)



Enable the high-speed USB port for printing


This printer features a high-speed USB 2.0 port for wired USB printing. The port is located in the interface ports area on the back of the printer and is disabled by default. Use one of the following methods to enable the port. Once the port is enabled, install the product software in order to print using this port.


Method one: Enable the high-speed USB 2.0 port from the printer control panel menus

1. From the Home screen on the printer control panel, open the [Settings](#) menu.
2. Open the following menus
 - [General](#)
 - [Enable Device USB](#)
3. Select the [Enabled](#) option.

Method two: Enable the high-speed USB 2.0 port from the HP Embedded Web Server (network-connected printers only)

1. Find the printer IP address. On the printer control panel, press the  button, and then use the arrow keys to select the Ethernet  menu. Press the [OK](#) button to open the menu and display the IP address or host name.
2. Open a web browser, and in the address line, type the IP address exactly as it displays on the printer control panel. Press the [Enter](#) key on the computer keyboard. The EWS opens.

 <https://10.10.XX.XXX/>

 **NOTE:** If the web browser displays a **There is a problem with this website's security certificate** message when attempting to open the EWS, click **Continue to this website (not recommended)**.

Choosing **Continue to this website (not recommended)** will not harm the computer while navigating within the EWS for the HP printer.

3. Select the **Security** tab.
4. On the left side of the screen, select **General Security**.
5. Scroll down to the **Hardware Ports** and select the check box to enable both of the items:
 - **Enable Device USB**
 - **Enable Host USB plug and play**
6. Click **Apply**.

5 Manage the printer

- [Advanced configuration with the HP Embedded Web Server \(EWS\)](#)
- [Configure IP network settings](#)
- [Printer security features](#)
- [Energy-conservation settings](#)
- [HP Web Jetadmin](#)

For more information

The following information is correct at the time of publication.

For video assistance, see www.hp.com/videos/LaserJet.

For current information, see www.hp.com/support/colorljE75245.

HP's all-inclusive help for the printer includes the following information:

- Install and configure
- Learn and use
- Solve problems
- Download software and firmware updates
- Join support forums
- Find warranty and regulatory information

Advanced configuration with the HP Embedded Web Server (EWS)

Introduction

Use the HP Embedded Web Server to manage printing functions from a computer instead of the printer control panel.

- View printer status information
- Determine the remaining life for all supplies and order new ones
- View and change tray configurations
- View and change the printer control-panel menu configuration
- View and print internal pages
- Receive notification of printer and supplies events
- View and change network configuration



The HP Embedded Web Server works when the printer is connected to an IP-based network. The HP Embedded Web Server does not support IPX-based printer connections. Internet access is not needed to open and use the HP Embedded Web Server.

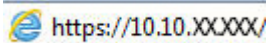
When the printer is connected to the network, the HP Embedded Web Server is automatically available.



NOTE: The HP Embedded Web Server is not accessible beyond the network firewall.

How to access the HP Embedded Web Server (EWS)

1. On the printer control panel, press the Information  button, and then use the arrow keys to select the Ethernet  menu. Press the **OK** button to open the menu and display the IP address or host name.
2. Open a web browser, and in the address line, type the IP address or host name exactly as it displays on the printer control panel. Press the **Enter** key on the computer keyboard. The EWS opens.



NOTE: If the web browser displays a message indicating that accessing the website might not be safe, select the option to continue to the website. Accessing this website will not harm the computer.

To use the HP Embedded Web Server, the browser must meet the following requirements:

Windows® 7

- Internet Explorer (version 8.x or greater)
- Google Chrome (version 34.x or greater)
- Firefox (version 20.x or greater)

Windows® 8 or greater

- Internet Explorer (version 9.x or greater)
- Google Chrome (version 34.x or greater)
- Firefox (version 20.x or greater)

macOS

- Safari (version 5.x or greater)
- Google Chrome (version 34.x or greater)

Linux

- Google Chrome (version 34.x or greater)
- Firefox (version 20.x or greater)

HP Embedded Web Server features

Information tab

Table 5-1 HP Embedded Web Server Information tab

Menu	Description
Device Status	Shows the printer status and shows the estimated life remaining of HP supplies. The page also shows the type and size of paper set for each tray. To change the default settings, click the Change Settings link.
Configuration Page	Shows the information found on the configuration page.
Supplies Status Page	Shows the status of the supplies for the printer.
Event Log Page	Shows a list of all printer events and errors. Use the HP Instant Support link (in the Other Links area on all HP Embedded Web Server pages) to connect to a set of dynamic web pages that help solve problems. These pages also show additional services available for the printer.
Usage Page	Shows a summary of the number of pages the printer has printed, grouped by size, type, and paper print path.
Device Information	Shows the printer network name, address, and model information. To customize these entries, click the Device Information menu on the General tab.
Control Panel Snapshot	Shows an image of the current screen on the control panel display.
Printable Reports and Pages	Lists the internal reports and pages for the printer. Select one or more items to print or view.
Open Source Licenses	Shows a summary of the licenses for open source software programs that can be used with the printer.

General tab

Table 5-2 HP Embedded Web Server General tab

Menu	Description
Display Settings	Configure settings for sound, timeout for inactivity, clearable warnings, and continuable events.
Control Panel Language and Keyboard Layouts	Select the default language for control panel messages and the default keyboard layout for each language.
Alerts	Set up email alerts for various printer and supplies events.
Control Panel Settings App	Shows Settings app options that are available on the printer control panel.
General Settings	Configure how the printer recovers from jams and whether copy jobs initiated at the printer control panel take priority over print jobs.
AutoSend	Configure the printer to send automated emails regarding printer configuration and supplies to specific email addresses.
Edit Other Links	Add or customize a link to another website. This link displays in the footer area on all HP Embedded Web Server pages.
Ordering Information	Enter information about ordering replacement cartridges. This information displays on the supplies status page.
Device Information	Name the printer and assign an asset number to it. Enter the name of the primary contact who will receive information about the printer.
Language	Set the language in which to display the HP Embedded Web Server information.
Firmware Upgrade	Download and install printer firmware upgrade files.
Date/Time Settings	Set the date and time or synchronize with a network time server.
Energy Settings	Set or edit sleep settings that affect how much power the printer uses, the wake/sleep time, how quickly the printer enters sleep mode, and how quickly the printer wakes up from sleep mode.
Backup and Restore	Create a backup file that contains printer and user data. If necessary, use this file to restore data to the printer.
Reset Factory Settings	Restore printer settings to the factory defaults.
Solution Installer	Install third-party software packages that extend or modify the functionality of the printer.
Job Statistics Settings	Provides connection information about third-party job-statistics services.
Quota Settings	Provides connection information about third-party job-quota services.

Print tab

Table 5-3 HP Embedded Web Server Print tab

Menu	Description
Print from USB drive settings	Enable or disable the Print from USB Drive menu on the control panel.
Manage Stored Jobs	Enable or disable the ability to store jobs in the printer memory. Configure job-storage options.
Default Print Options	Configure the default options for print jobs.

Table 5-3 HP Embedded Web Server Print tab (continued)

Menu	Description
Restrict Color	Permit or restrict color printing.
(Color printers only)	Specify permissions for individual users or for jobs that are sent from specific software programs.
PCL and PostScript Settings	Adjust the PCL and PostScript settings for all print jobs.
Print Quality	Configure the print quality settings, including color adjustment, image registration, and allowed paper types.
Manage Trays	Configure settings for paper trays.

Supplies tab

Table 5-4 HP Embedded Web Server Supplies tab

Menu	Description
Manage Supplies	Configure how the printer reacts when supplies reach a Very Low state.

Troubleshooting tab

Table 5-5 HP Embedded Web Server Troubleshooting tab

Menu	Description
General Troubleshooting	Select from a variety of reports and tests to help solve problems with the printer.
Online Help	Link to HP cloud-based online help to assist in troubleshooting printing issues.
Diagnostic Data	Export printer information to a file that can be useful for detailed problem analysis.
NOTE: This item is available only if an administrator password is set from the Security tab.	
Calibration/Cleaning	Set cleaning and calibration settings, print a cleaning page, and perform a full or partial calibration.
Reset Factory Settings	Restore printer settings to factory defaults.
Firmware Upgrade	Download and install printer firmware upgrade files.

Security tab

Table 5-6 HP Embedded Web Server Security tab

Menu	Description
General Security	Settings for general security, including the following: <ul style="list-style-type: none">• Configure an administrator password to restrict access to certain features on the printer.• Set PJI password for processing PJI commands.• Set file system access and firmware upgrade security.• Enable or disable the Host USB port on the control panel or the USB connectivity port on the formatter for printing directly from a computer.• View the status of all security settings.
Account Policy	Enable administrator account settings.
Access Control	Configure access to printer functions for specific individuals or groups, and select the method individuals use to sign in to the printer.
Protect Stored Data	Configure and manage the internal hard drive for the printer. This printer includes an encrypted hard drive for maximum security. Configure settings for jobs that are stored on the printer hard drive.
Manage Remote Apps	Manage or whitelist remote apps by importing or deleting certificates that allow devices to use this product.
Certificate Management	Install and manage security certificates for access to the printer and the network.
Web Service Security	Allow resources on this printer to be accessed by web pages from different domains. If no sites are added to the list, then all sites are trusted.
Self Test	Verify that the security functions are running according to expected system parameters.

HP Web Services tab

Use the **HP Web Services** tab to configure and enable HP Web Services for this printer. It is necessary to enable HP Web Services to use the HP ePrint feature.

Table 5-7 HP Embedded Web Server HP Web Services tab

Menu	Description
Web Services Setup	Connect this printer to HP Connected on the web by enabling HP Web Services.
Web Proxy	Configure a proxy server if there are issues enabling HP Web Services or connecting the printer to the Internet.
Smart Cloud Print	Enable Smart Cloud Print, which allows access to web-based apps that extend the capabilities of the printer.

Networking tab

Use the **Networking** tab to configure and secure network settings for the printer when it is connected to an IP-based network. This tab does not display if the printer is connected to other types of networks.

Table 5-8 HP Embedded Web Server Networking tab

Menu	Description
Configuration	
Wi-Fi Direct	Configure Wi-Fi Direct settings for printers that include embedded Wi-Fi Direct Print and NFC printing or that have a wireless accessory installed. NOTE: The configuration options available depend on the print server model.
TCP/IP Settings	Configure TCP/IP settings for IPv4 and IPv6 networks. NOTE: The configuration options available depend on the print server model.
Network Settings	Configure IPX/SPX, AppleTalk, DLC/LLC, and SNMP settings, depending on the print server model.
Other Settings	Configure general printing protocols and services supported by the print server. The available options depend on the print server model, but can include firmware update, LPD queues, USB settings, support information, and refresh rate.
AirPrint	Enable, set up, or disable network printing from Apple supported printers.
Select Language	Change the language displayed by the HP Embedded Web Server. This page displays if the web pages support multiple languages. Optionally, select supported languages through language-preference settings in the browser.
Select Location	Select a country/region for the printer.
Google Cloud Print	
Setup	Set up Google Cloud Print options.
Web Proxy	Configure proxy settings.
Security	
Settings	View and restore current security settings to factory-default values. Configure security settings using the Security Configuration Wizard. NOTE: Do not use the Security Configuration Wizard to configure security settings using network-management applications, such as HP Web Jetadmin.
Authorization	Control configuration management and use of this printer, including the following: <ul style="list-style-type: none">• Set or change the administrator password to control access to configuration parameters.• Request, install, and manage digital certificates on the HP Jetdirect print server.• Limit host access to this printer through an Access Control List (ACL) (for selected print servers on IPv4 networks only).
Secure Communication	Configure security settings.

Mgmt. Protocols	Configure and manage security protocols for this printer, including the following: <ul style="list-style-type: none"> • Set the security management level for the HP Embedded Web Server, and control traffic over HTTP and HTTPS. • Configure the SNMP (Simple Network Management Protocol) operation. Enable or disable the SNMP v1/v2c or SNMP v3 agents on the print server. • Control access through protocols that may not be secure, such as printing protocols, print services, discovery protocols, name resolution services, and configuration-management protocols.
802.1X Authentication	Configure 802.1X authentication settings on the Jetdirect print server as required for client authentication on the network, and reset the 802.1X authentication settings to factory-default values. <p>CAUTION: When changing the 802.1X authentication settings; the printer might lose its connection. To reconnect, it might be necessary to reset the print server to a factory-default state and reinstall the printer.</p>
IPsec/Firewall	View or configure a Firewall policy or an IPsec/Firewall policy.
Announcement Agent	Enable or disable the HP Device Announcement Agent, set the configuration server, and configure mutual authentication using certificates.
Diagnostics	
Network Statistics	Display network statistics that are collected and stored on the HP Jetdirect print server.
Protocol Info	View a list of network-configuration settings on the HP Jetdirect print server for each protocol.
Configuration Page	View the HP Jetdirect configuration page, which contains status and configuration information.

Other Links list


 **NOTE:** Configure which links display in the footer of the HP Embedded Web Server by using the **Edit Other Links** menu on the **General** tab. The following are the default links.

Table 5-9 HP Embedded Web Server Other Links list

Menu	Description
HP Instant Support	Connect to the HP website to find solutions to printer problems.
Shop for Supplies	Connect to the HP SureSupply website for information on purchasing original HP supplies, such as cartridges and paper.
Product Support	Connect to the support site for the printer to search for help on various topics.


Configure IP network settings


Printer sharing disclaimer


HP does not support peer-to-peer networking, as the feature is a function of Microsoft operating systems and not of the HP printer drivers. Go to Microsoft at www.microsoft.com.

View or change network settings

Use the HP Embedded Web Server to view or change IP configuration settings.

1. Find the printer IP address. On the printer control panel, press the **i** button, and then use the arrow keys to select the Ethernet  menu. Press the **OK** button to open the menu and display the IP address or host name.
2. Open a web browser, and in the address line, type the IP address or host name exactly as it displays on the printer control panel. Press the **Enter** key on the computer keyboard. The EWS opens.


 <https://10.10.XXXX/>


 **NOTE:** If the web browser displays a message indicating that accessing the website might not be safe, select the option to continue to the website. Accessing this website will not harm the computer.


3. Click the **Networking** tab to obtain network information. Change settings as needed.

Rename the printer on a network

To rename the printer on a network so that it can be uniquely identified, use the HP Embedded Web Server.

1. Find the printer IP address. On the printer control panel, press the **i** button, and then use the arrow keys to select the Ethernet  menu. Press the **OK** button to open the menu and display the IP address or host name.
2. Open a web browser, and in the address line, type the IP address or host name exactly as it displays on the printer control panel. Press the **Enter** key on the computer keyboard. The EWS opens.

 <https://10.10.XXXX/>

 **NOTE:** If the web browser displays a message indicating that accessing the website might not be safe, select the option to continue to the website. Accessing this website will not harm the computer.

3. Open the **General** tab.
4. On the **Device Information** page, the default printer name is in the **Device Name** field. You can change this name to uniquely identify this printer.

 **NOTE:** Completing the other fields on this page is optional.

5. Click the **Apply** button to save the changes.

Manually configure IPv4 TCP/IP parameters from the control panel

Use the control-panel **Settings** menus to manually set an IPv4 address, subnet mask, and default gateway.

1. From the Home screen on the printer control panel, select [Settings](#).
2. Open the following menus:
 - [Networking](#)
 - [Ethernet](#)
 - [TCP/IP](#)
 - [IPV 4 Settings](#)
 - [Config Method](#)
3. Select the [Manual](#) option, and then press the [OK](#) button.
4. Open the [Manual Settings](#) menu.
5. Select the [IP Address](#), [Subnet Mask](#), or [Default Gateway](#) option.
6. Use the numeric keypad to enter the correct digits for the field, and then press the [OK](#) button.
Repeat the process for each field to be configured.

Manually configure IPv6 TCP/IP parameters from the control panel


Use the control-panel [Settings](#) menus to manually set an IPv6 address.


1. From the Home screen on the printer control panel, select [Settings](#).
2. To enable manual configuration, open the following menus:
 - [Networking](#)
 - [Ethernet](#)
 - [TCP/IP](#)
 - [IPV6 Settings](#)
3. Select [Enable](#), select [On](#), and then press the [OK](#) button.
4. Open the [Address](#) menu.
5. Open the [Manual Settings](#) menu, and then select [Address](#). Use the keypad to enter the address, and then press the [OK](#) button.

Link speed and duplex settings

 **NOTE:** This information applies only to Ethernet networks. It does not apply to wireless networks.

The link speed and communication mode of the print server must match the network hub. For most situations, leave the printer in automatic mode. Incorrect changes to the link speed and duplex settings might prevent the printer from communicating with other network devices. To make changes, use the printer control panel.

 **NOTE:** The printer setting must match the setting for the network device (a network hub, switch, gateway, router, or computer).

 **NOTE:** Making changes to these settings causes the printer to turn off and then on. Make changes only when the printer is idle.

1. From the Home screen on the printer control panel, open the [Settings](#) menu.
2. Open the following menus:
 - [Networking](#)
 - [Ethernet](#)
 - [Link Speed](#)
3. Select one of the following options:
 - [Auto](#): The print server automatically configures itself for the highest link speed and communication mode allowed on the network.
 - [10T Half](#): 10 megabytes per second (Mbps), half-duplex operation
 - [10T Full](#): 10 Mbps, full-duplex operation
 - [10T Auto](#): 10 Mbps, automatic-duplex operation
 - [100TX Half](#): 100 Mbps, half-duplex operation
 - [100TX Full](#): 100 Mbps, full-duplex operation
 - [100TX Auto](#): 100 Mbps, automatic-duplex operation
 - [1000T Full](#): 1000 Mbps, full-duplex operation
4. Press the [OK](#) button. The printer turns off and then on.

Printer security features

Introduction

The printer includes several security features to restrict who has access to configuration settings, to secure data, and to prevent access to valuable hardware components.



- [Security statements](#)
- [Assign or change the system password using the HP Embedded Web Server](#)
- [IP Security](#)
- [Encryption support: HP High Performance Secure Hard Disks](#)
- [Lock the formatter](#)

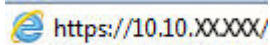
Security statements


The printer supports security standards and recommended protocols that help you keep the printer secure, protect critical information on your network, and simplify the way you monitor and maintain the printer.

Assign or change the system password using the HP Embedded Web Server

Assign an administrator password for access to the printer and the HP Embedded Web Server so that unauthorized users cannot change the printer settings.

1. Find the printer IP address. On the printer control panel, press the  button, and then use the arrow keys to select the Ethernet  menu. Press the **OK** button to open the menu and display the IP address or host name.
2. Open a web browser, and in the address line, type the IP address or host name exactly as it displays on the printer control panel. Press the **Enter** key on the computer keyboard. The EWS opens.




 **NOTE:** If the web browser displays a message indicating that accessing the website might not be safe, select the option to continue to the website. Accessing this website will not harm the computer.

3. Click the **Security** tab.
4. Open the **General Security** menu.
5. In the area labeled **Set the Local Administrator Password**, enter the name to associate with the password in the **Username** field.
6. Enter the password in the **New Password** field, and then enter it again in the **Verify Password** field.

 **NOTE:** To change an existing password, first enter the existing password in the **Old Password** field.

7. Click the **Apply** button.

 **NOTE:** Make note of the password and store it in a safe place. The administrator password cannot be recovered. If the administrator password is lost or forgotten, contact HP Customer Support at support.hp.com for the assistance required to completely reset the printer.

Some features on the printer control panel can be secured so that unauthorized people cannot use them. When a feature is secured, the printer prompts you to sign in before you can use it. You can also sign in without waiting for a prompt by selecting [Sign In](#) from the printer control panel.

Typically, the credentials for signing in to the printer are the same as for signing in to the network. Consult the network administrator for this printer if you have questions about which credentials to use.

1. **Keypad control panels:** Press the Sign In  button

Touchscreen control panels: From the Home screen on the printer control panel, select [Sign In](#).

2. Follow the prompts to enter the credentials.



NOTE: To maintain security for the printer, select [Sign Out](#) when you have finished using the printer.

IP Security

IP Security (IPsec) is a set of protocols that control IP-based network traffic to and from the printer. IPsec provides host-to-host authentication, data integrity, and encryption of network communications.

For printers that are connected to the network and have an HP Jetdirect print server, you can configure IPsec by using the **Networking** tab in the HP Embedded Web Server.

Encryption support: HP High Performance Secure Hard Disks

The hard disk provides hardware-based encryption so you can securely store sensitive data without impacting printer performance. This hard disk uses the latest Advanced Encryption Standard (AES) and has versatile time-saving features and robust functionality.

Use the **Security** menu in the HP Embedded Web Server to configure the disk.

Lock the formatter

The formatter has a slot that you can use to attach a security cable. Locking the formatter prevents someone from removing valuable components from it.

Energy-conservation settings

Introduction

- [Set the idle settings](#)
- [Set the sleep timer and configure the printer to use 1 watt or less of power](#)
- [Set the sleep schedule](#)

Configure sleep settings to reduce power usage when the printer is idle.

Set the idle settings

This setting affects energy use while the product is idle, not while in Sleep Mode. [Start faster](#) results in a quicker first-page-out time, but uses more power. [Save energy](#) conserves power, but could result in a slower first-page-out time.


1. From the Home screen on the printer control panel, open the [Settings](#) menu.
2. Open the following menus:
 - [General Settings](#)
 - [Energy Settings](#)
 - [Idle Settings](#)
3. Adjust the slider, and then select [Done](#) to save the setting.

Set the sleep timer and configure the printer to use 1 watt or less of power

The sleep settings affect how much power the printer uses, the wake/sleep time, how quickly the printer enters sleep mode, and how quickly the printer wakes up from sleep mode.

To configure the printer to use 1 watt or less of power while in sleep mode, enter times for both the [Sleep after Inactivity](#) and [Auto Off after sleep](#) settings.

1. From the Home screen on the printer control panel, select [Settings](#).
2. Open the following menus:
 - [General](#)
 - [Energy Settings](#)
 - [Sleep Settings](#)
3. Select [Sleep after Inactivity](#) to specify the number of minutes the printer is inactive before it enters sleep mode. Enter the appropriate time period.
4. Select [Auto Off after sleep](#) to put the printer into a deeper power save mode after a period of sleep. Enter the appropriate time period.

 **NOTE:** By default, the printer will wake from Auto Off in response to any activity other than USB or Wi-Fi. For greater energy settings, you can set it to wake only to the power button by selecting [Shut down \(wake on power button only\)](#).

5. Select [Done](#) to save the settings.

Set the sleep schedule

Use the [Sleep Schedule](#) feature to configure the printer to automatically wake or go into Sleep mode at specific times on specific days of the week.

1. From the Home screen on the printer control panel, select [Settings](#).
2. Open the following menus:
 - [General](#)
 - [Energy Settings](#)
 - [Sleep Schedule](#)
3. Select the [New Event](#) button, and then select the type of event to schedule: [Wake Event](#) or [Sleep Event](#).
4. For a wake or sleep event, configure the time and the days of the week for the event. Select [Save](#) to save the setting.

HP Web Jetadmin

HP Web Jetadmin is an award-winning, industry-leading tool for efficiently managing a wide variety of networked HP products, including printers, multifunction printers, and digital senders. This single solution allows you to remotely install, monitor, maintain, troubleshoot, and secure your printing and imaging environment — ultimately increasing business productivity by helping you save time, control costs, and protect your investment.

HP Web Jetadmin upgrades are periodically made available to provide support for specific product features. Go to www.hp.com/go/webjetadmin for more information.

6 Solve problems

- [Customer support](#)
- [Control panel help system](#)
- [Reset factory settings](#)
- [A “Cartridge is low” or “Cartridge is very low” message displays on the printer control panel](#)
- [Printer does not pick up paper or misfeeds](#)
- [Clear paper jams](#)
- [Resolve print-quality problems](#)
- [Solve wired network problems](#)

For more information

The following information is correct at the time of publication.

For video assistance, see www.hp.com/videos/LaserJet.

For current information, see www.hp.com/support/colorljE75245.


HP's all-inclusive help for the printer includes the following information:

- Install and configure
- Learn and use
- Solve problems
- Download software and firmware updates
- Join support forums
- Find warranty and regulatory information

Customer support


Get telephone support for your country/region	Country/region phone numbers are on the flyer that was in the box with the printer or at support.hp.com .
Have the printer name, serial number, date of purchase, and problem description ready	
Get 24-hour Internet support, and download software utilities and drivers	www.hp.com/support/colorjE75245
Order additional HP service or maintenance agreements	www.hp.com/go/carepack
Register the printer	www.register.hp.com

Control panel help system

The printer has a built-in Help system that explains how to use each screen. To open the Help system, touch the Help  button on the keypad.




The Help button opens a global menu where you can search for specific topics. You can browse through the menu structure by using the keypad buttons.

If the printer alerts of an error or warning, touch the Help  button to open a message that describes the problem. The message also contains instructions to help solve the problem.

Reset factory settings

Introduction

Use one of the following methods to restore the printer to the original settings from the factory.

 **NOTE:** Restoring factory settings sets most of the printer settings to their factory defaults. However, some settings are not changed, such as language, date, time, and some network configuration settings.

Method one: Restore factory settings from the printer control panel



1. From the Home screen on the printer control panel, open the [Settings](#) menu.
2. Open the following menus:
 - [General](#)
 - [Reset Factory Settings](#)
3. Select [Reset](#).

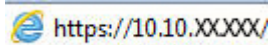
A verification message advises that completing the reset function might result in loss of data.

4. Select [Reset](#) to complete the process.

 **NOTE:** The printer restarts automatically after the reset operation completes.

Method two: Restore factory settings from the HP Embedded Web Server (network-connected printers only)

1. Find the printer IP address. On the printer control panel, press the  button, and then use the arrow keys to select the Ethernet  menu. Press the [OK](#) button to open the menu and display the IP address or host name.
2. Open a web browser, and in the address line, type the IP address or host name exactly as it displays on the printer control panel. Press the [Enter](#) key on the computer keyboard. The EWS opens.

 <https://10.10.XX.XXX/>

 **NOTE:** If the web browser displays a message indicating that accessing the website might not be safe, select the option to continue to the website. Accessing this website will not harm the computer.

3. Open the **General** tab.
4. On the left side of the screen, click **Reset Factory Settings**.
5. Click the **Reset** button.

 **NOTE:** The printer restarts automatically after the reset operation completes.

A “Cartridge is low” or “Cartridge is very low” message displays on the printer control panel

Cartridge is low: The printer indicates when a toner cartridge level is low. Actual toner cartridge life remaining may vary. Consider having a replacement available to install when print quality is no longer acceptable. The toner cartridge does not need to be replaced now.

Cartridge is very low: The printer indicates when the toner cartridge level is very low. Actual toner cartridge life remaining may vary. Consider having a replacement available to install when print quality is no longer acceptable. The toner cartridge does not need to be replaced now unless the print quality is no longer acceptable.

HP's Premium Protection Warranty expires near the end of useable cartridge life. Check the Supplies Status Page or the HP Embedded Web Server (EWS) for the status.

Printer does not pick up paper or misfeeds

Introduction

The following solutions can help solve problems if the printer is not picking up paper from the tray or is picking up multiple sheets of paper at one time. Either of these situations can result in paper jams.

- [The printer does not pick up paper](#)
- [The printer picks up multiple sheets of paper](#)

The printer does not pick up paper

If the printer does not pick up paper from the tray, try these solutions.

1. Open the printer and remove any jammed sheets of paper. Verify that no torn remnants of paper remain inside the printer.
2. Load the tray with the correct size of paper for the job.
3. Make sure the paper size and type are set correctly on the printer control panel.

4. Make sure the paper guides in the tray are adjusted correctly for the size of paper. Adjust the guides to the appropriate indentation in the tray. The arrow on the tray guide should line up exactly with the marking on the tray.

 **NOTE:** Do not adjust the paper guides tightly against the paper stack. Adjust them to the indentations or markings in the tray.

The following images show examples of the paper-size indentations in the trays for various printers. Most HP printers have markings similar to these.

Figure 6-1 Size markings for Tray 1 or the multipurpose tray

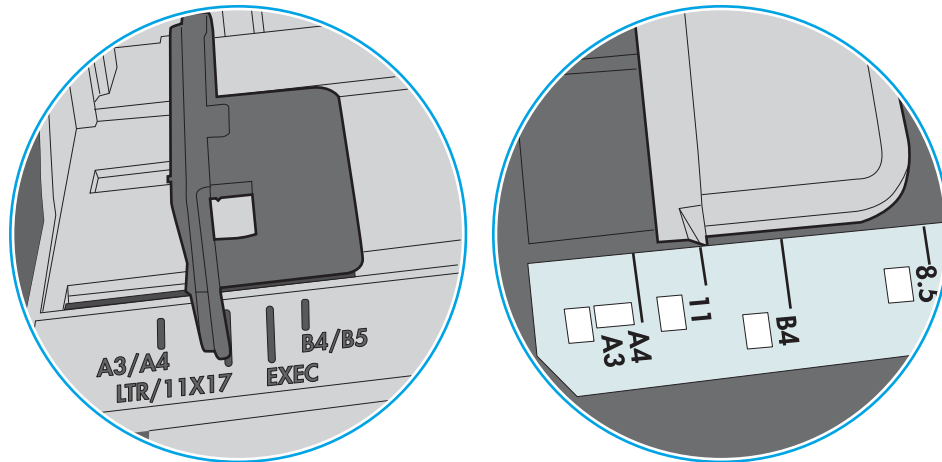
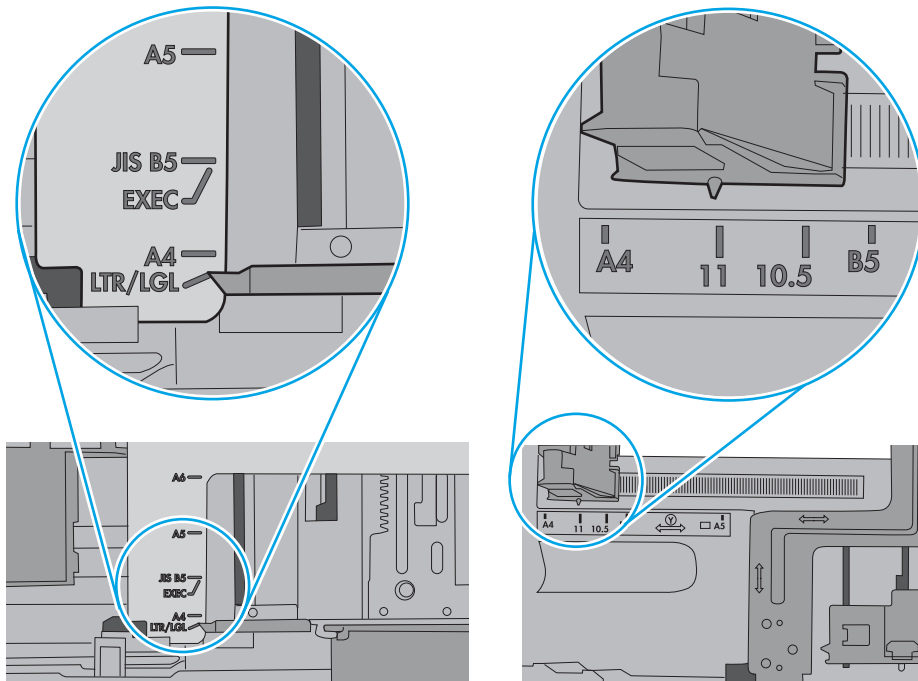


Figure 6-2 Size markings for cassette trays

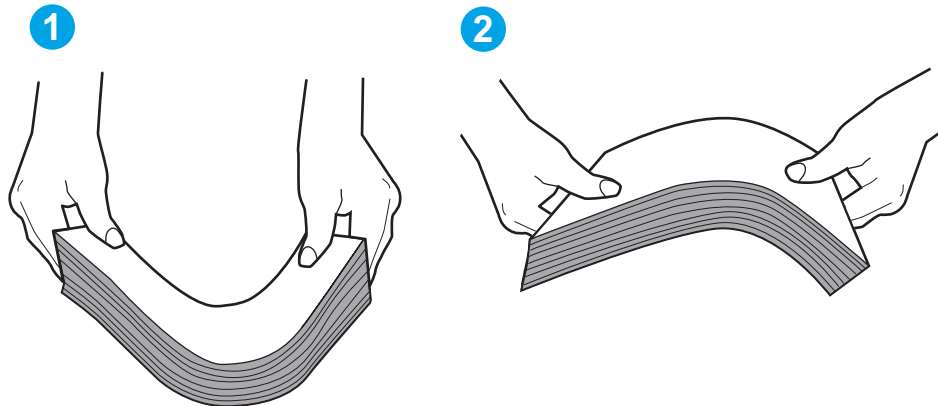


5. Verify that the humidity in the room is within specifications for this printer and that paper is being stored in unopened packages. Most reams of paper are sold in moisture-proof wrapping to keep paper dry.

In high-humidity environments, paper at the top of the stack in the tray can absorb moisture, and it might have a wavy or uneven appearance. If this happens, remove the top 5 to 10 sheets of paper from the stack.

In low-humidity environments, excess static electricity can cause sheets of paper to stick together. If this happens, remove the paper from the tray, and flex the stack by holding it at each end and bringing the ends up to form a U shape. Then, rotate the ends down to reverse the U shape. Next, hold each side of the stack of paper, and repeat this process. This process releases individual sheets without introducing static electricity. Straighten the paper stack against a table before returning it to the tray.

Figure 6-3 Technique for flexing the paper stack

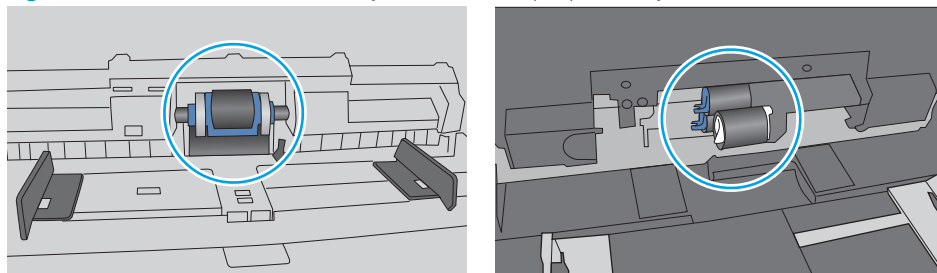


6. Check the printer control panel to see if it is displaying a prompt to feed the paper manually. Load paper, and continue.
7. The rollers above the tray might be contaminated. Clean the rollers with a lint-free cloth dampened with warm water. Use distilled water, if it is available.

CAUTION: Do not spray water directly on to the printer. Instead, spray water on the cloth or dab the cloth in water and wring it out before cleaning the rollers.

The following image shows examples of the roller location for various printers.

Figure 6-4 Roller locations for Tray 1 or the multipurpose tray



The printer picks up multiple sheets of paper

If the printer picks up multiple sheets of paper from the tray, try these solutions.

1. Remove the stack of paper from the tray and flex it, rotate it 180 degrees, and flip it over. *Do not fan the paper.* Return the stack of paper to the tray.


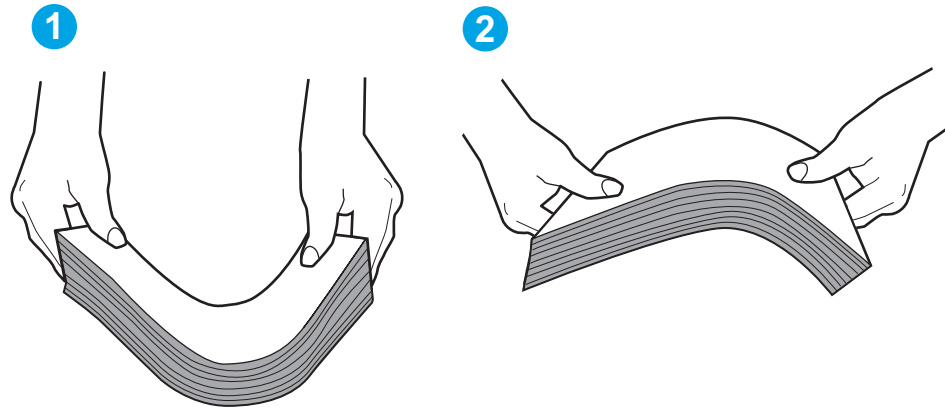
 **NOTE:** Fanning the paper introduces static electricity. Instead of fanning the paper, flex the stack by holding it at each end and bringing the ends up to form a U shape. Then, rotate the ends down to reverse the U shape. Next, hold each side of the stack of paper, and repeat this process. This process releases individual sheets without introducing static electricity. Straighten the paper stack against a table before returning it to the tray.

Figure 6-5 Technique for flexing the paper stack



2. Use only paper that meets HP specifications for this printer.
3. Verify that the humidity in the room is within specifications for this printer, and that paper is being stored in unopened packages. Most reams of paper are sold in moisture-proof wrapping to keep paper dry.

In high-humidity environments, paper at the top of the stack in the tray can absorb moisture, and it might have a wavy or uneven appearance. If this happens, remove the top 5 to 10 sheets of paper from the stack.

In low-humidity environments, excess static electricity can cause sheets of paper to stick together. If this happens, remove the paper from the tray, and flex the stack as described above.
4. Use paper that is not wrinkled, folded, or damaged. If necessary, use paper from a different package.

5. Make sure the tray is not overfilled by checking the stack-height markings inside the tray. If it is overfilled, remove the entire stack of paper from the tray, straighten the stack, and then return some of the paper to the tray.

The following images show examples of the stack-height markings in the trays for various printers. Most HP printers have markings similar to these. Also make sure that all sheets of paper are below the tabs near the stack-height marks. These tabs help hold the paper in the correct position as it enters the printer.

Figure 6-6 Stack-height markings

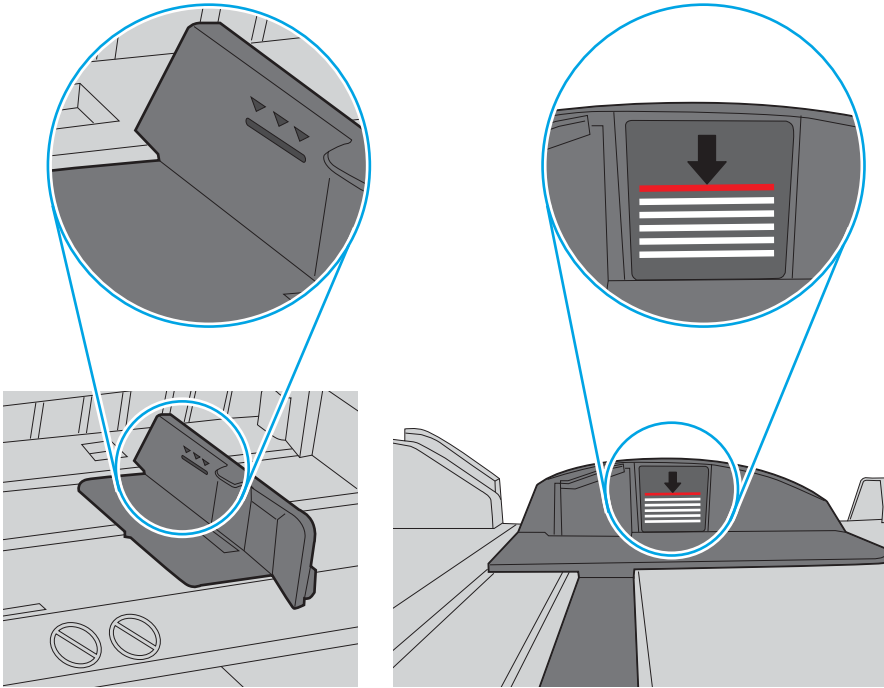
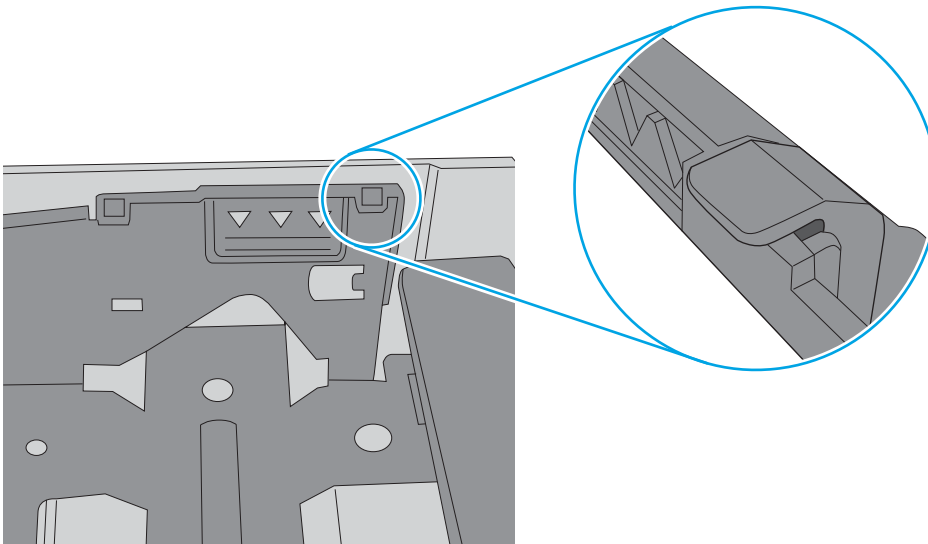


Figure 6-7 Tab for the paper stack



6. Make sure the paper guides in the tray are adjusted correctly for the size of paper. Adjust the guides to the appropriate indentation in the tray. The arrow on the tray guide should line up exactly with the marking on the tray.

 **NOTE:** Do not adjust the paper guides tightly against the paper stack. Adjust them to the indentations or markings in the tray.

The following images show examples of the paper-size indentations in the trays for various printers. Most HP printers have markings similar to these.

Figure 6-8 Size markings for Tray 1 or the multipurpose tray

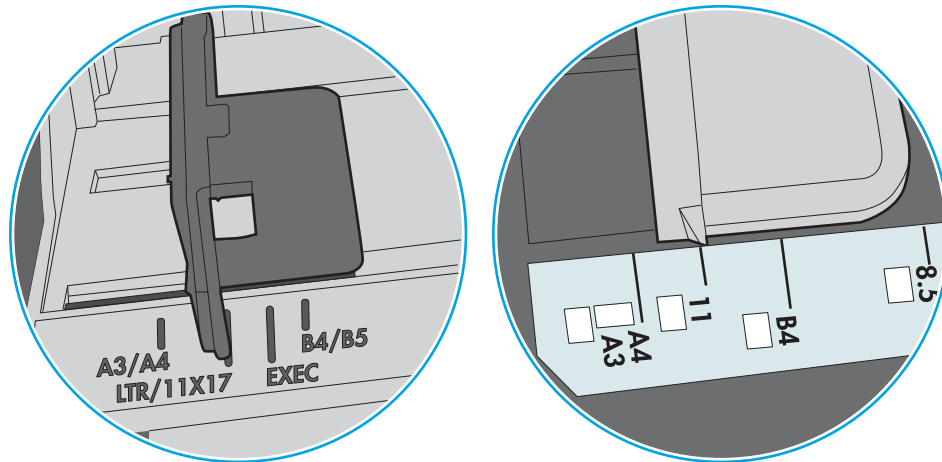
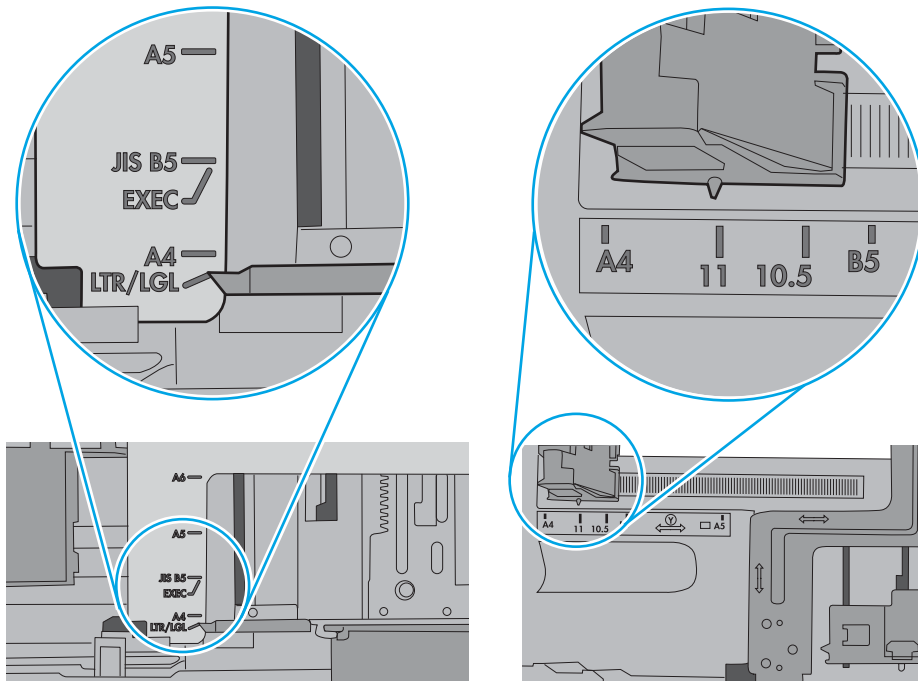


Figure 6-9 Size markings for cassette trays



7. Make sure the printing environment is within recommended specifications.

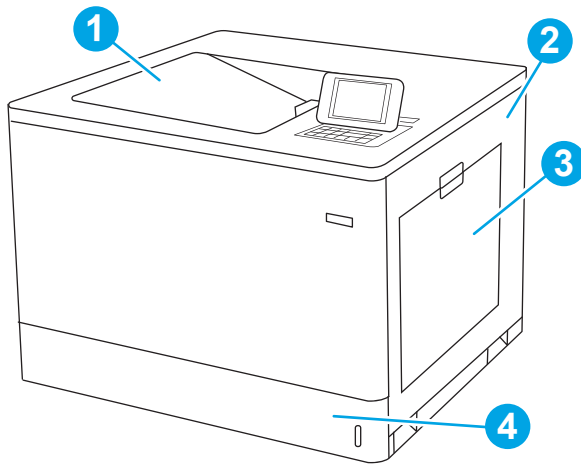
Clear paper jams

Introduction

The following information includes instructions for clearing paper jams from the printer.

- [Paper jam locations](#)
- [Auto-navigation for clearing paper jams](#)
- [Experiencing frequent or recurring paper jams?](#)
- [Clear paper jams in Tray 1 \(13.A1\)](#)
- [Clear paper jams in Tray 2 \(13.A2\)](#)
- [Clear jams in the fuser \(13.B9, 13.B2, 13.FF\)](#)
- [Clear paper jams in the output bin \(13.E1\)](#)
- [Clear jams in the duplex area \(13.D3\)](#)
- [Clear paper jams in the 550-sheet trays \(13.A3, 13.A4\)](#)
- [Clear paper jams in the 2 x 550 paper trays \(13.A4, 13.A5\)](#)
- [Clear paper jams in the 2,700-sheet high-capacity input paper trays \(13.A3, 13.A4, 13.A5, 13.A7\)](#)

Paper jam locations



1	Output bin
2	Right door and fuser area
3	Tray 1
4	Tray 2

Auto-navigation for clearing paper jams

The auto-navigation feature assists in clearing jams by providing step-by-step instructions on the control panel. When you complete a step, the printer displays instructions for the next step until you have completed all steps in the procedure.

Experiencing frequent or recurring paper jams?

To reduce the number of paper jams, try these solutions.



NOTE: To see a video that demonstrates how to load paper in a way that reduces the number of paper jams, click [here](#).

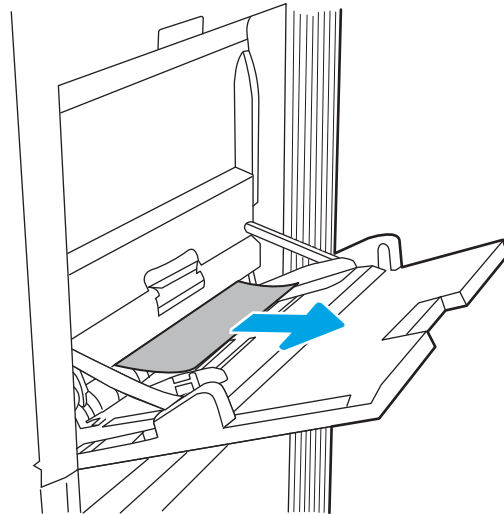
1. Use only paper that meets HP specifications for this printer.
2. Use paper that is not wrinkled, folded, or damaged. If necessary, use paper from a different package.
3. Use paper that has not previously been printed or copied on.
4. Make sure the tray is not overfilled. If it is, remove the entire stack of paper from the tray, straighten the stack, and then return some of the paper to the tray.
5. Make sure the paper guides in the tray are adjusted correctly for the size of paper. Adjust the guides so they are touching the paper stack without bending it.
6. Make sure that the tray is fully inserted in the printer.
7. If you are printing on heavy, embossed, or perforated paper, use the manual feed feature and feed sheets one at a time.
8. Open the [Trays](#) menu on the printer control panel. Verify that the tray is configured correctly for the paper type and size.
9. Make sure the printing environment is within recommended specifications.

Clear paper jams in Tray 1 (13.A1)

Use the following procedure to check for paper in all possible jam locations related to Tray 1 and inside the right door. When a jam occurs, the control panel might display a message and an animation that assists in clearing the jam.

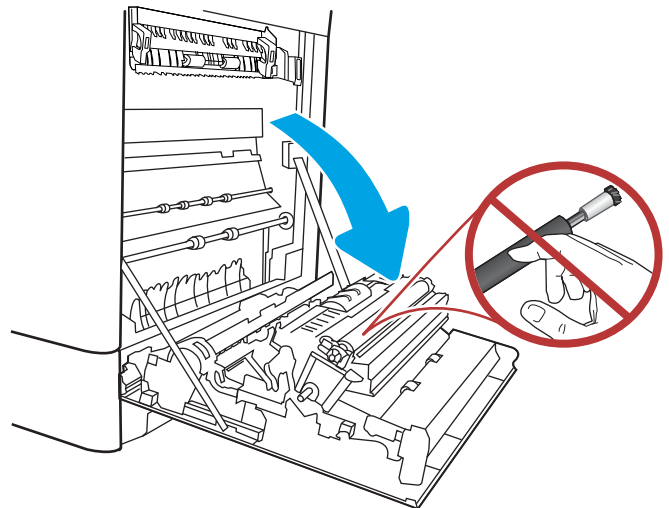
- 13.A1.XX Jam in Tray 1

1. If jammed paper is visible in Tray 1, clear the jam by gently pulling the paper straight out.

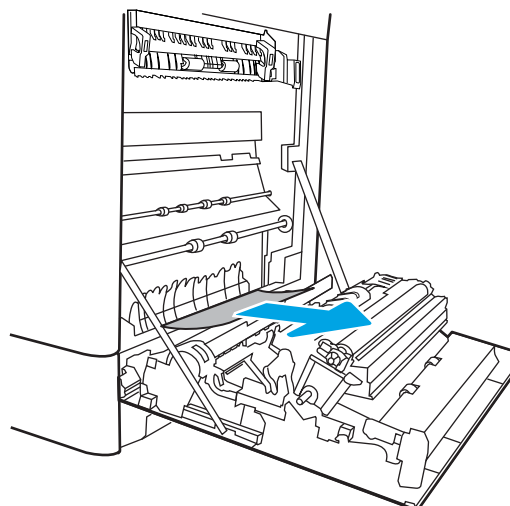


2. If you cannot remove the paper, or if no jammed paper is visible in Tray 1, close Tray 1 and open the right door.

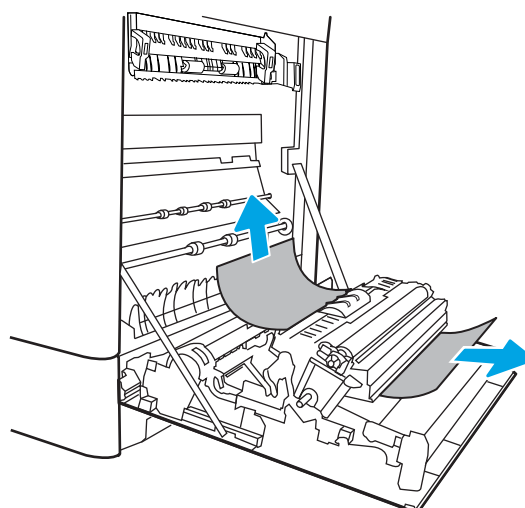
CAUTION: Do not touch the transfer roller. Contaminants can affect print quality.



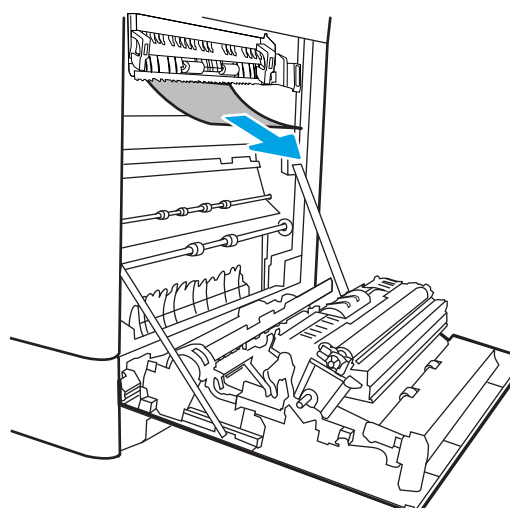
3. Gently pull out any jammed paper.



4. Gently pull out any jammed paper in the duplex area on the right door.



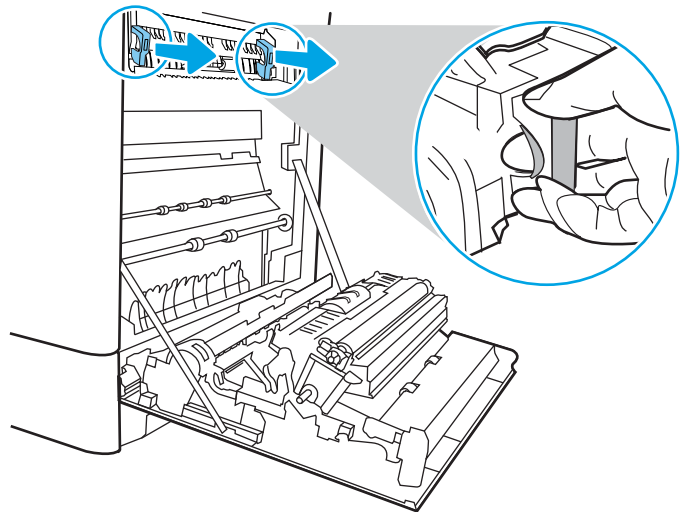
5. If paper is visible entering the bottom of the fuser, gently pull downward to remove it.



6. Paper could be jammed inside the fuser where it would not be visible. Grasp the fuser handles, squeeze the release levers, lift up slightly, and then pull straight out to remove the fuser.



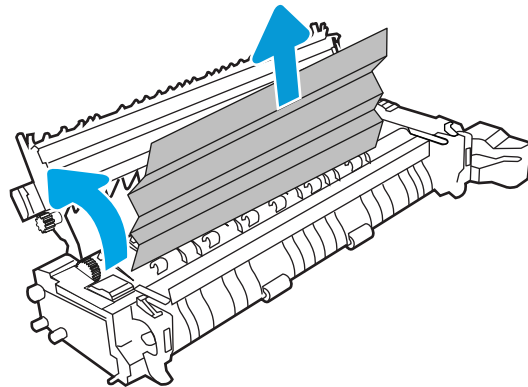
CAUTION: The fuser can be hot while the printer is in use. Wait for the fuser to cool before handling it.



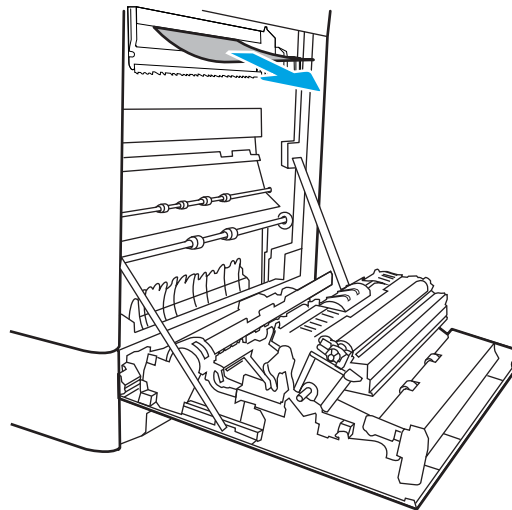
7. Open the jam-access door on the fuser. If paper is jammed inside the fuser, gently pull it straight up to remove it. If the paper tears, remove all paper fragments.



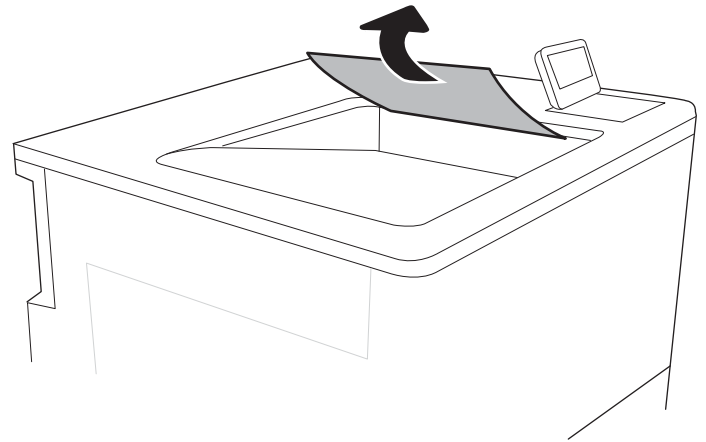
CAUTION: Even if the body of the fuser has cooled, the rollers that are inside could still be hot. Do not touch the fuser rollers.



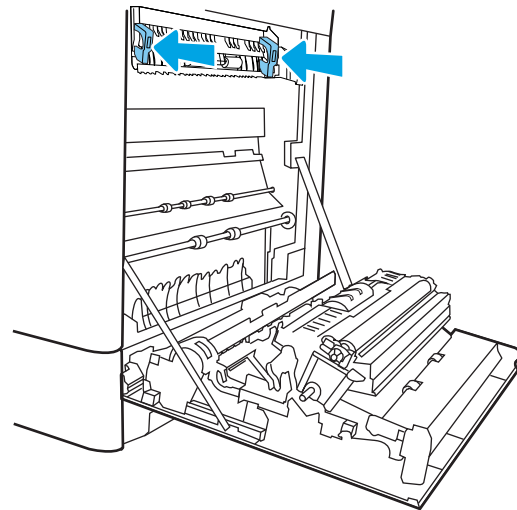
8. If paper is jammed as it enters the output bin, gently pull the paper out to remove it.



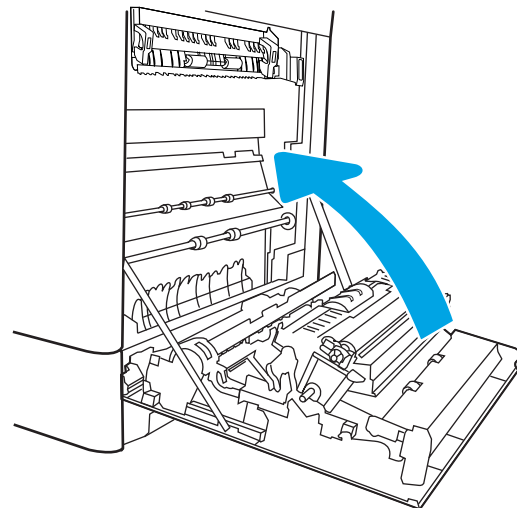
9. If paper is visible in the output bin, grasp the leading edge and gently remove it.



10. Close the jam-access door on the fuser, and push the fuser completely into the printer until it clicks into place.



11. Close the right door.

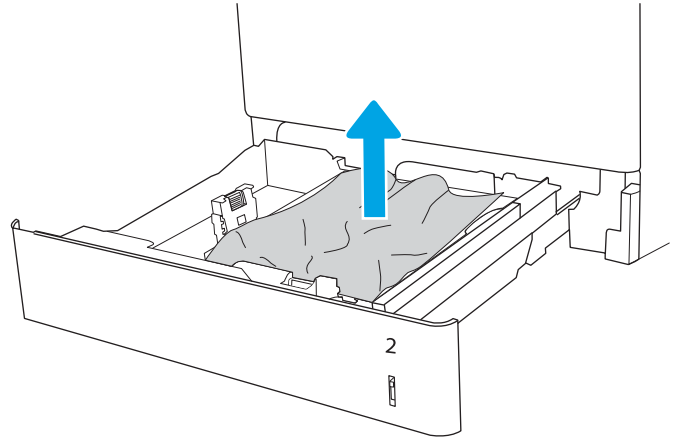


Clear paper jams in Tray 2 (13.A2)

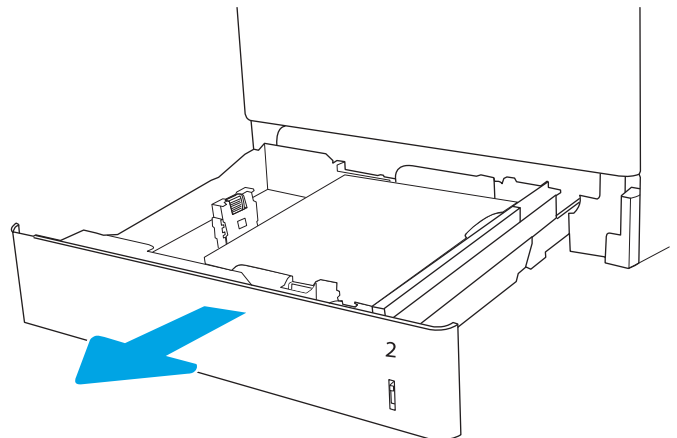
Use the following procedure to check for paper in all possible jam locations related to Tray 2 and inside the right door. When a jam occurs, the control panel might display a message and an animation that assists in clearing the jam.

- 13.A2.XX Jam in tray 2

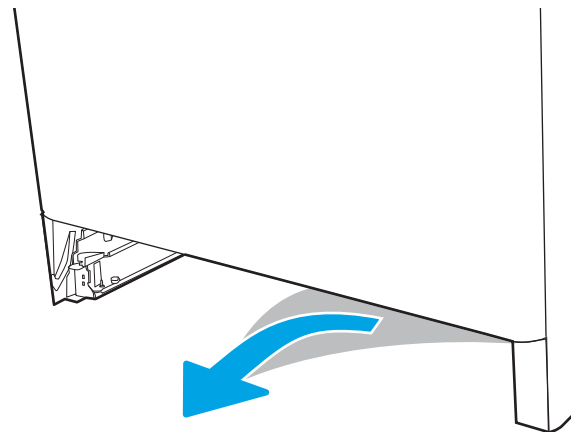
1. Open the tray and remove any jammed or damaged sheets of paper. Verify that the tray is not overfilled and that the paper guides are adjusted correctly.



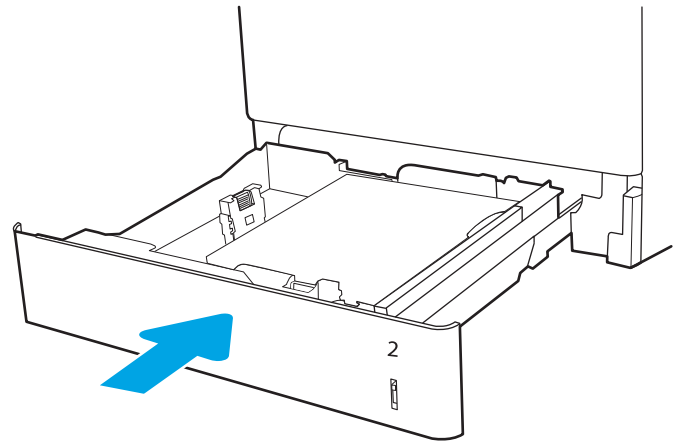
2. Pull the tray completely out of the printer by pulling and lifting it up slightly.



3. Gently remove any paper from the feed rollers inside the printer. First pull the paper to the left to release it, and then pull it forward to remove it.

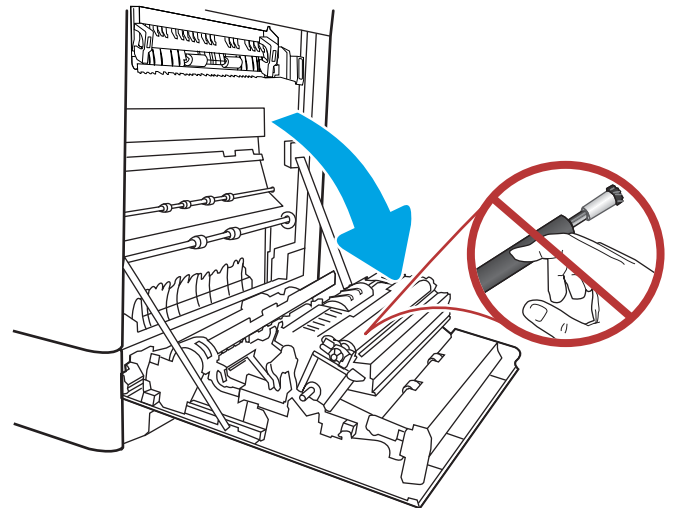


4. Install and close the tray.

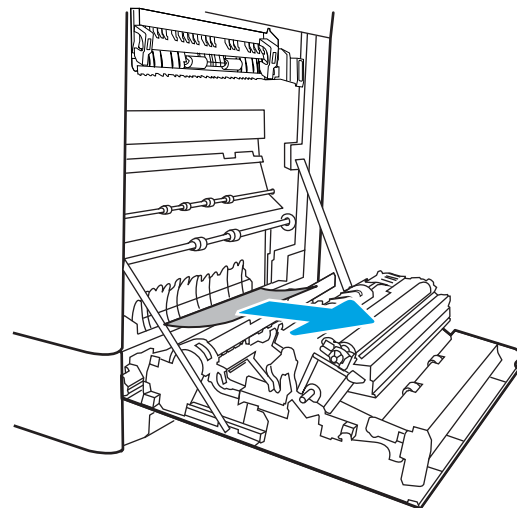


5. Open the right door.

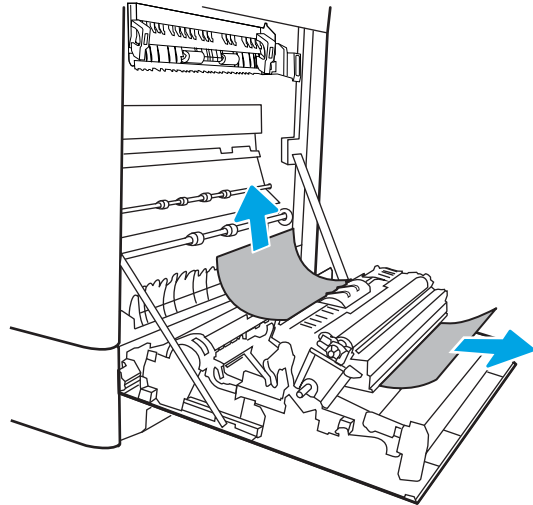
CAUTION: Do not touch the transfer roller. Contaminants can affect print quality.



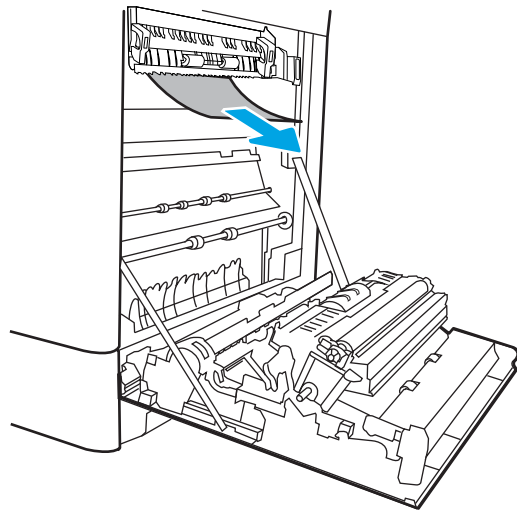
6. Gently pull out any jammed paper.



7. Gently pull out any jammed paper in the duplex area on the right door.



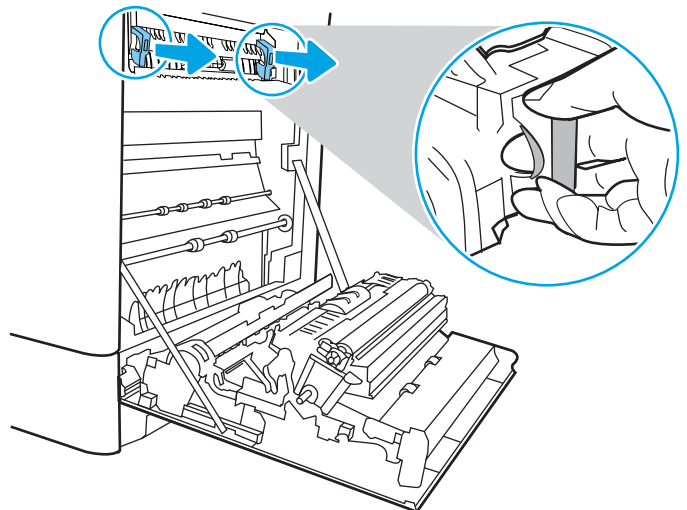
8. If paper is visible entering the bottom of the fuser, gently pull downward to remove it.



9. Paper could be jammed inside the fuser where it would not be visible. Grasp the fuser handles, squeeze the release levers, lift up slightly, and then pull straight out to remove the fuser.



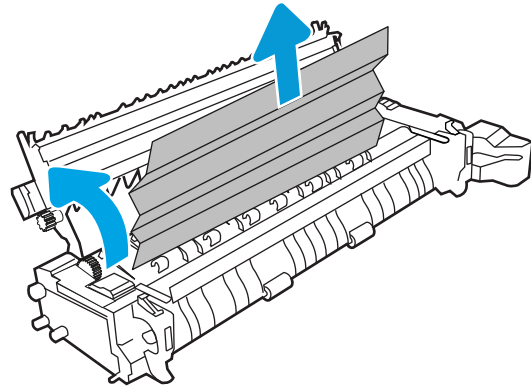
CAUTION: The fuser can be hot while the printer is in use. Wait for the fuser to cool before handling it.



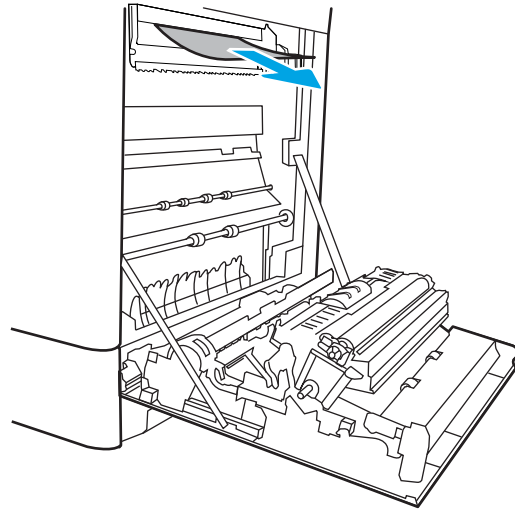
10. Open the jam-access door on the fuser. If paper is jammed inside the fuser, gently pull it straight up to remove it. If the paper tears, remove all paper fragments.



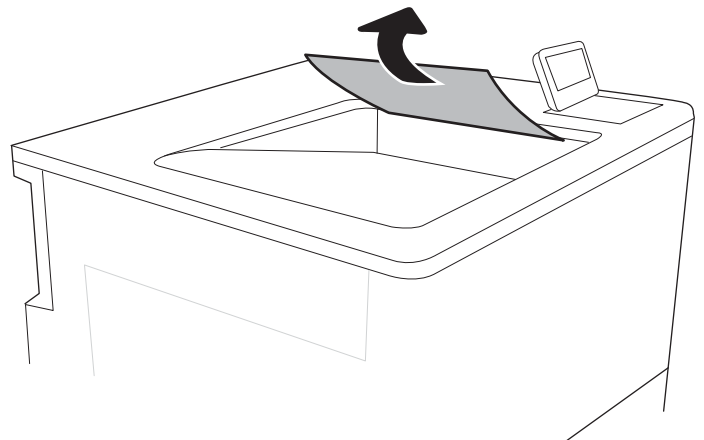
CAUTION: Even if the body of the fuser has cooled, the rollers that are inside could still be hot. Do not touch the fuser rollers.



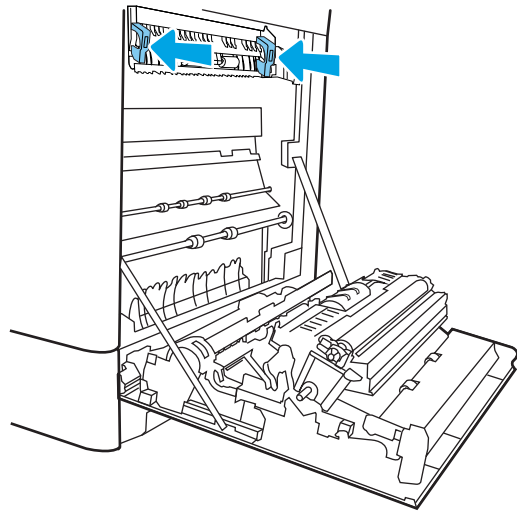
11. If paper is jammed as it enters the output bin, gently pull the paper out to remove it.



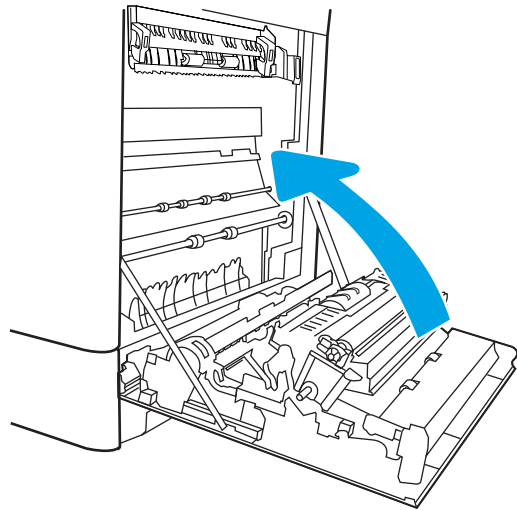
12. If paper is visible in the output bin, grasp the leading edge and gently remove it.



13. Close the jam-access door on the fuser, and push the fuser completely into the printer until it clicks into place.



14. Close the right door.



Clear jams in the fuser (13.B9, 13.B2, 13.FF)

Use the following procedure to check for paper in all possible jam locations inside the right door. When a jam occurs, the control panel might display a message and an animation that assists in clearing the jam.

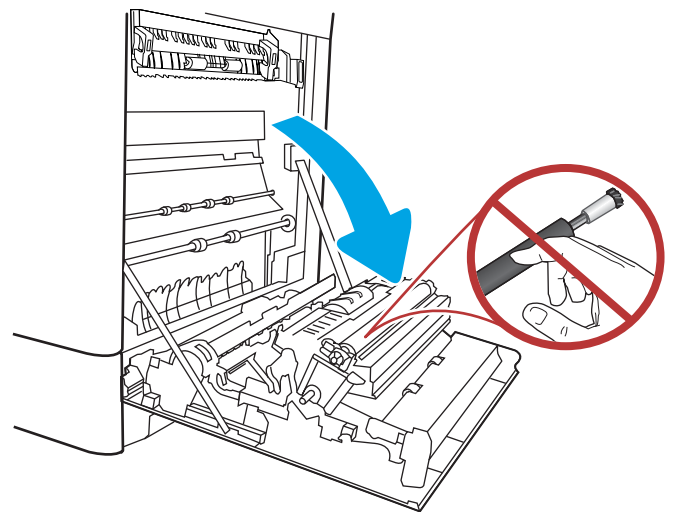
- 13.B9.XX Jam in fuser
- 13.B2.XX Jam in <Cover or Door>.
- 13.FF.EE Door Open Jam



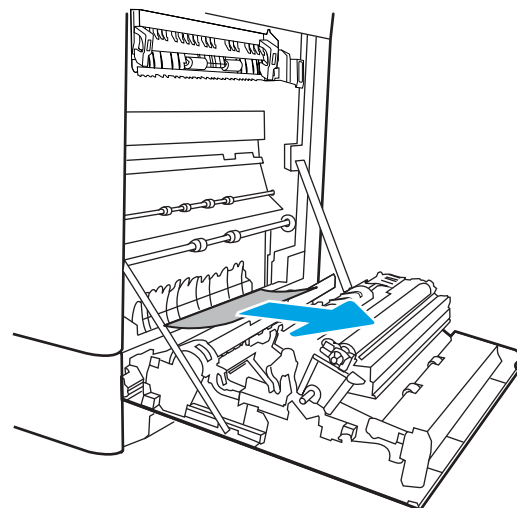
CAUTION: The fuser can be hot while the printer is in use. Wait for the fuser to cool before handling it.

1. Open the right door.

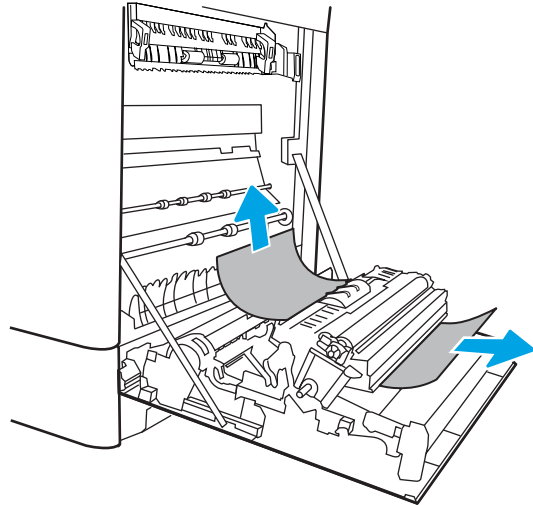
CAUTION: Do not touch the transfer roller. Contaminants can affect print quality.



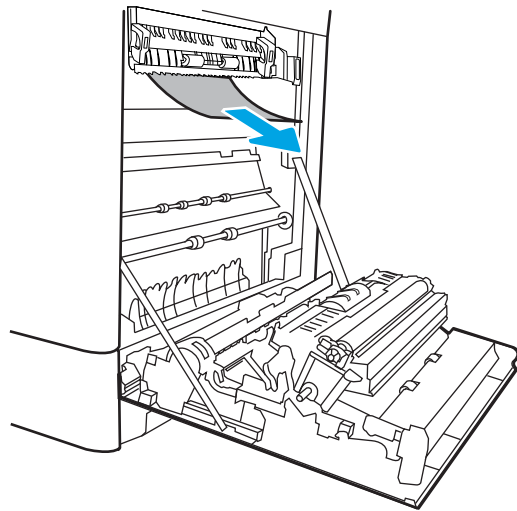
2. Gently pull out any jammed paper.



3. Gently pull out any jammed paper in the duplex area on the right door.



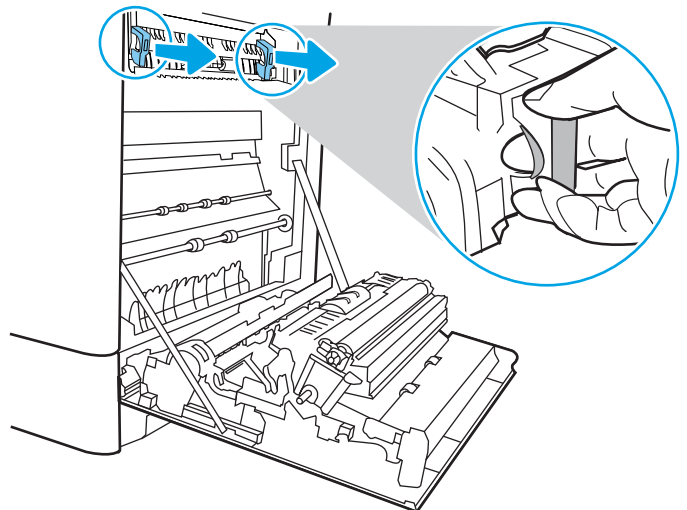
4. If paper is visible entering the bottom of the fuser, gently pull downward to remove it.



5. Paper could be jammed inside the fuser where it would not be visible. Grasp the fuser handles, squeeze the release levers, lift up slightly, and then pull straight out to remove the fuser.



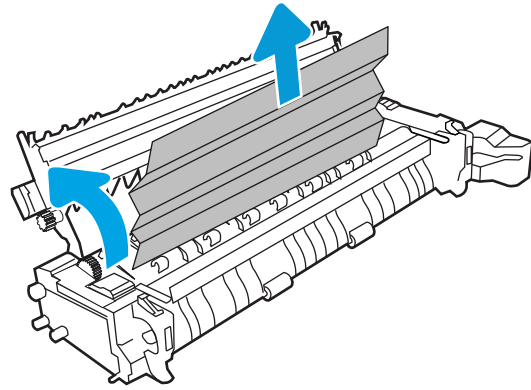
CAUTION: The fuser can be hot while the printer is in use. Wait for the fuser to cool before handling it.



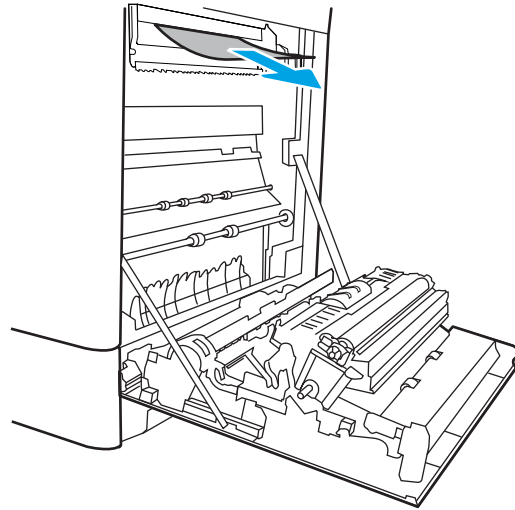
6. Open the jam-access door on the fuser. If paper is jammed inside the fuser, gently pull it straight up to remove it. If the paper tears, remove all paper fragments.



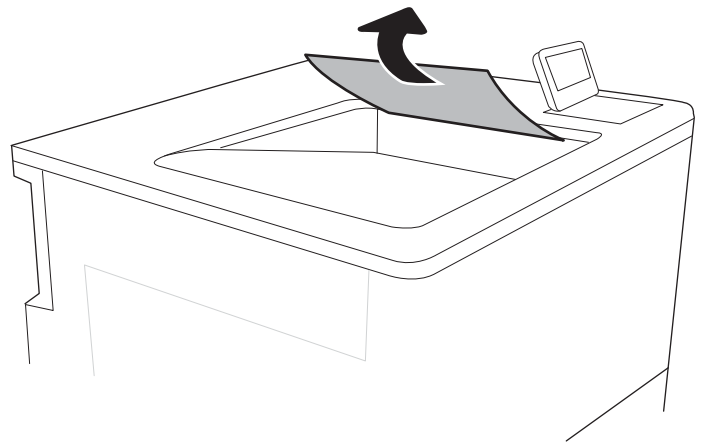
CAUTION: Even if the body of the fuser has cooled, the rollers that are inside could still be hot. Do not touch the fuser rollers.



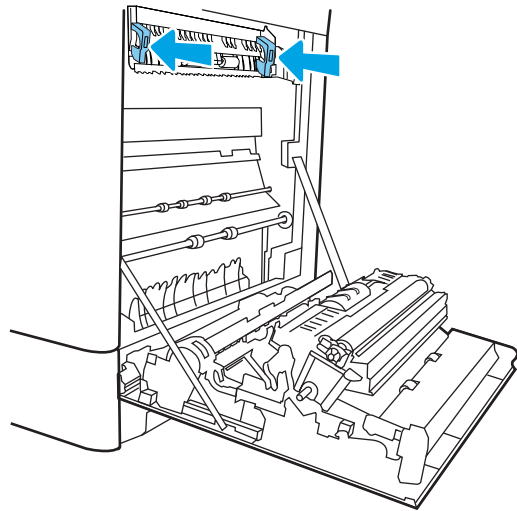
7. If paper is jammed as it enters the output bin, gently pull the paper out to remove it.



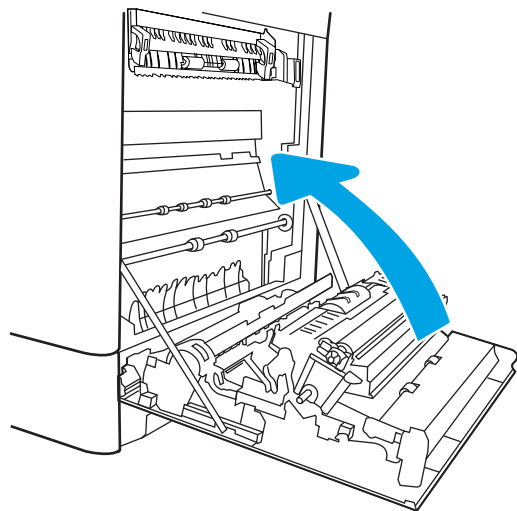
8. If paper is visible in the output bin, grasp the leading edge and gently remove it.



9. Close the jam-access door on the fuser, and push the fuser completely into the printer until it clicks into place.



10. Close the right door.

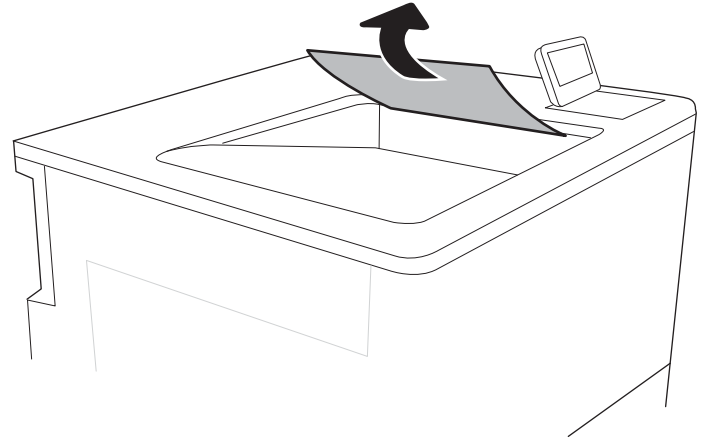


Clear paper jams in the output bin (13.E1)

Use the following procedure to clear jams in the output bin. When a jam occurs, the control panel might display a message and an animation that assists in clearing the jam.

- 13.E1.XX Jam at standard output bin

1. If paper is visible in the output bin, grasp the leading edge and gently remove it.



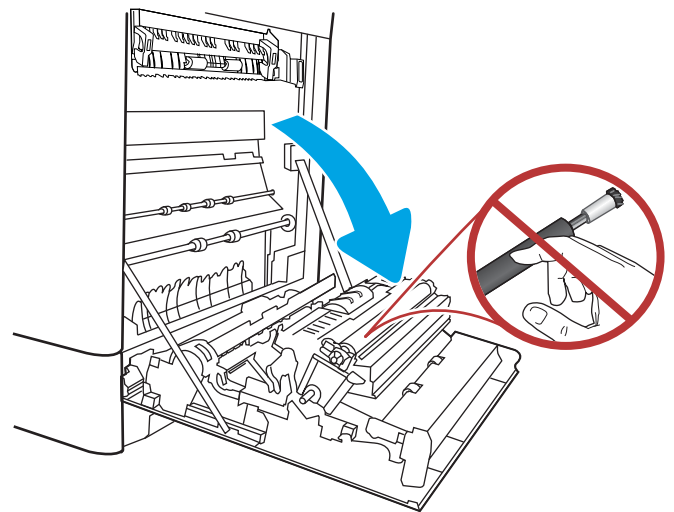
Clear jams in the duplex area (13.D3)

Use the following procedure to check for paper in all possible jam locations inside the right door. When a jam occurs, the control panel might display a message and an animation that assists in clearing the jam.

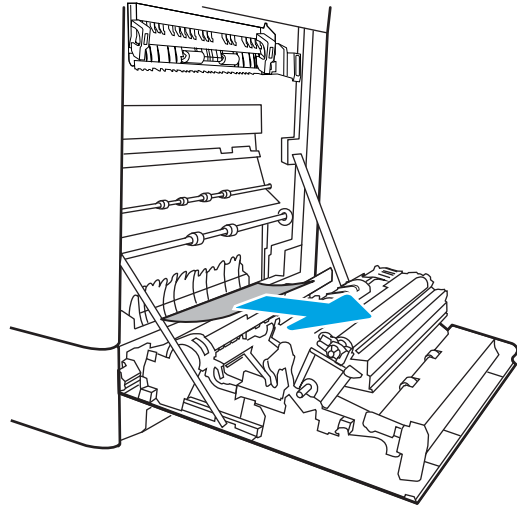
- 13.D3.XX Jam in duplex area

1. Open the right door.

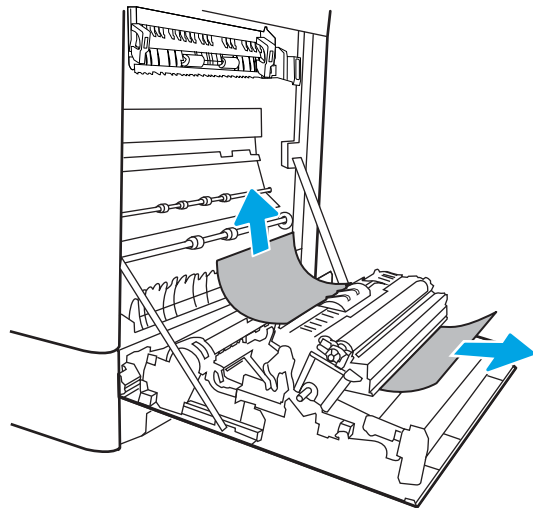
CAUTION: Do not touch the transfer roller. Contaminants can affect print quality.



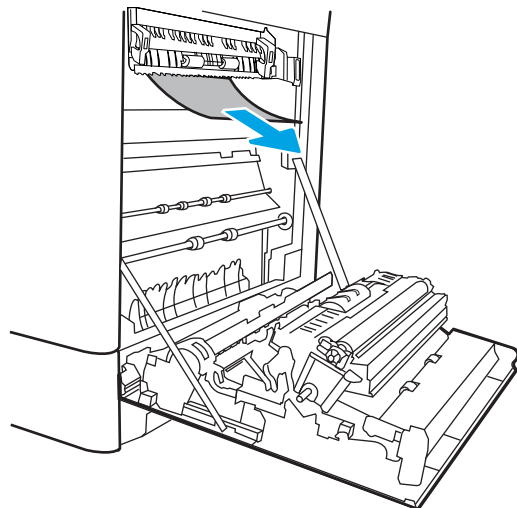
2. Gently pull out any jammed paper.



3. Gently pull out any jammed paper in the duplex area on the right door.



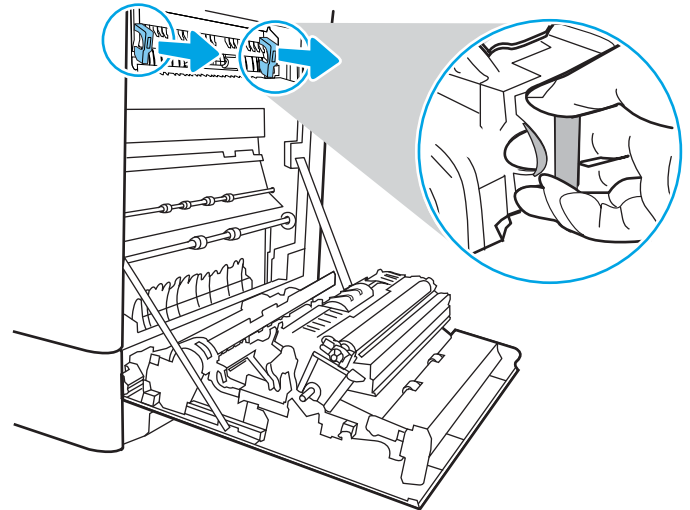
4. If paper is visible entering the bottom of the fuser, gently pull downward to remove it.



5. Paper could be jammed inside the fuser where it would not be visible. Grasp the fuser handles, squeeze the release levers, lift up slightly, and then pull straight out to remove the fuser.



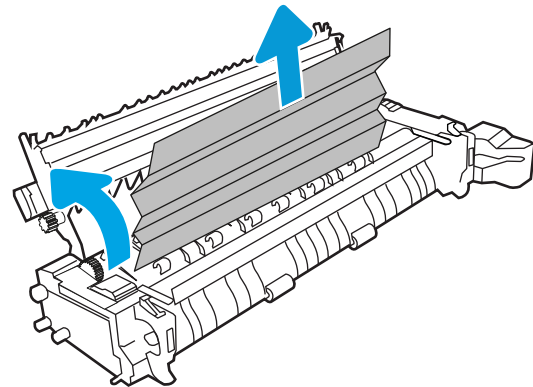
CAUTION: The fuser can be hot while the printer is in use. Wait for the fuser to cool before handling it.



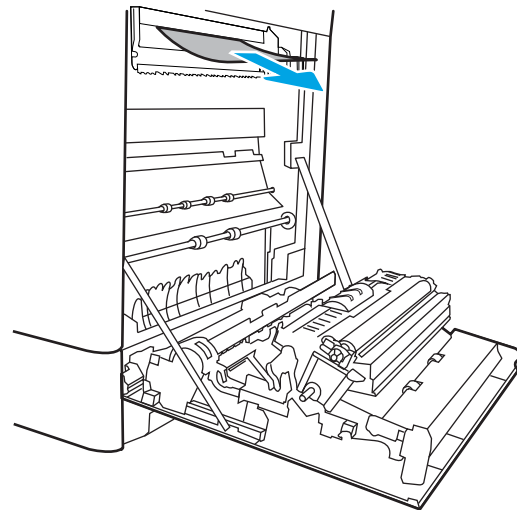
6. Open the jam-access door on the fuser. If paper is jammed inside the fuser, gently pull it straight up to remove it. If the paper tears, remove all paper fragments.



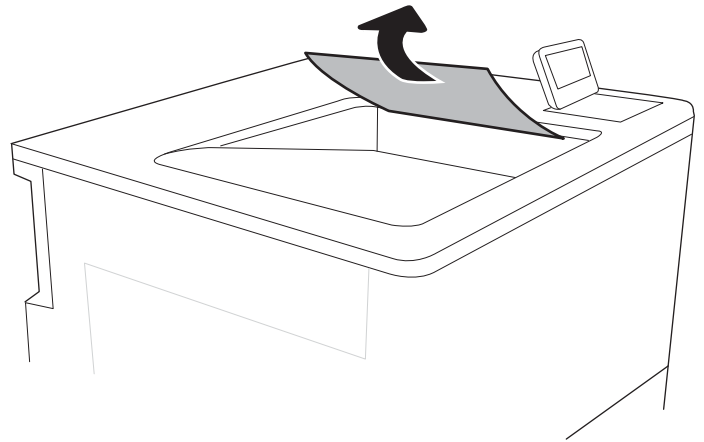
CAUTION: Even if the body of the fuser has cooled, the rollers that are inside could still be hot. Do not touch the fuser rollers.



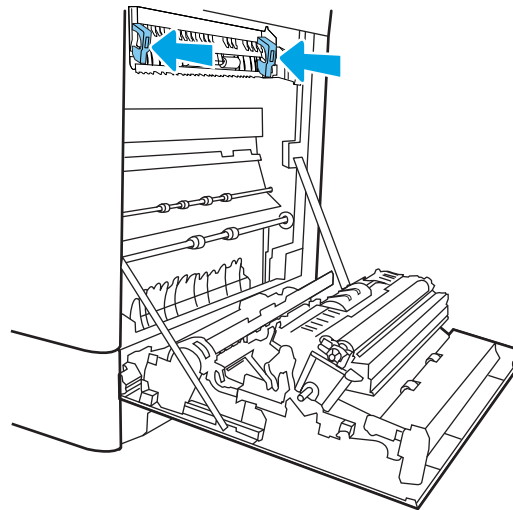
7. If paper is jammed as it enters the output bin, gently pull the paper out to remove it.



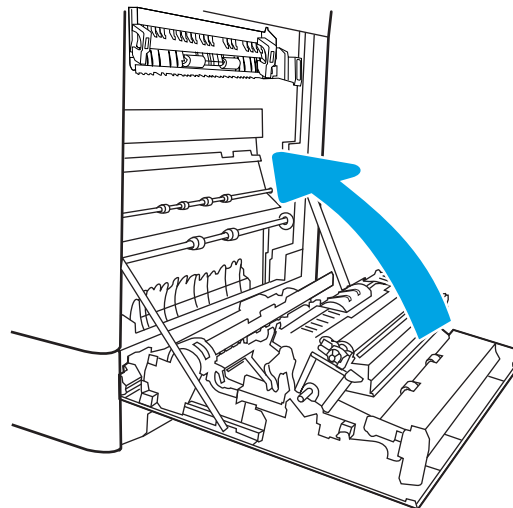
8. If paper is visible in the output bin, grasp the leading edge and gently remove it.



9. Close the jam-access door on the fuser, and push the fuser completely into the printer until it clicks into place.



10. Close the right door.

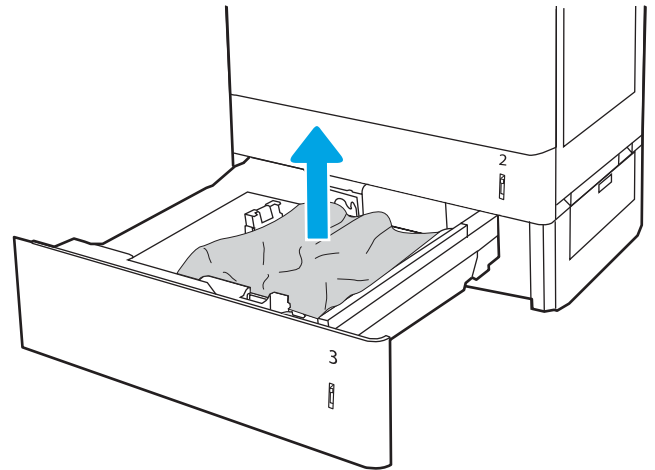


Clear paper jams in the 550-sheet trays (13.A3, 13.A4)

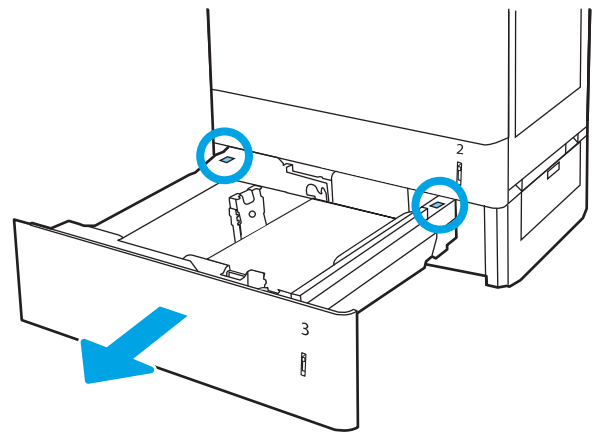
Use the following procedure to check for paper in all possible jam locations related to the 550-sheet trays and inside the right door. When a jam occurs, the control panel might display a message and an animation that assists in clearing the jam.

- 13.A3.XX Jam in tray 3
- 13.A4.XX Jam in tray 4

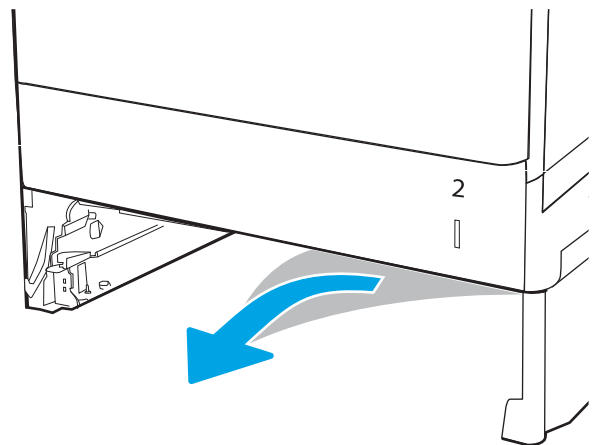
1. Open the tray and remove any jammed or damaged sheets of paper. Verify that the tray is not overfilled and that the paper guides are adjusted correctly.



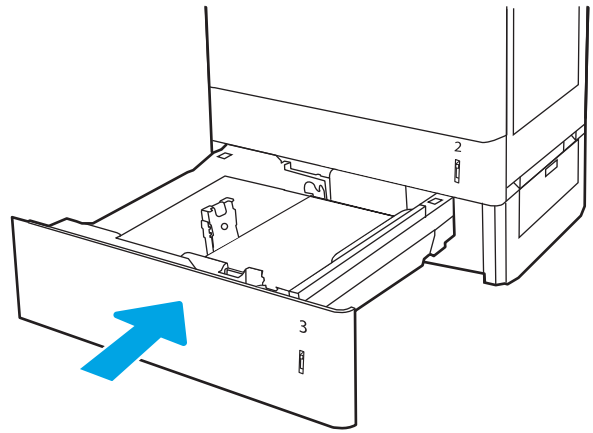
2. Release two tabs at the back of the tray, and then pull the tray completely out of the printer.



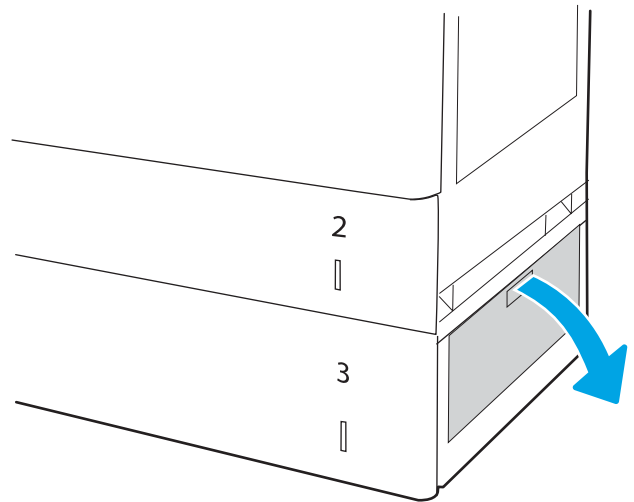
3. Remove any paper from the feed rollers inside the printer. First pull the paper to the left to release it, and then pull it forward to remove it.



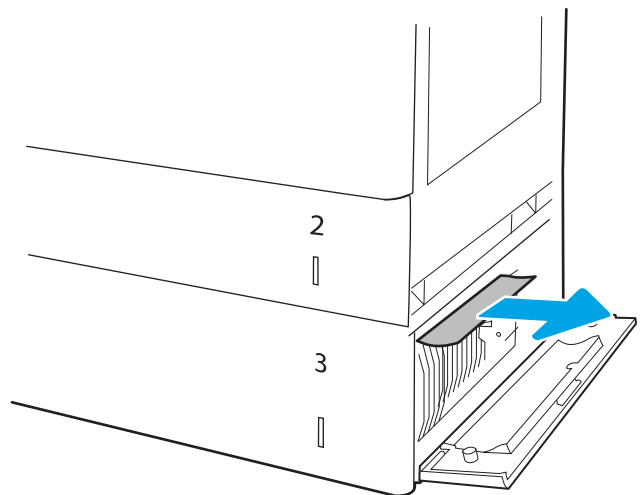
4. Install and close the tray.



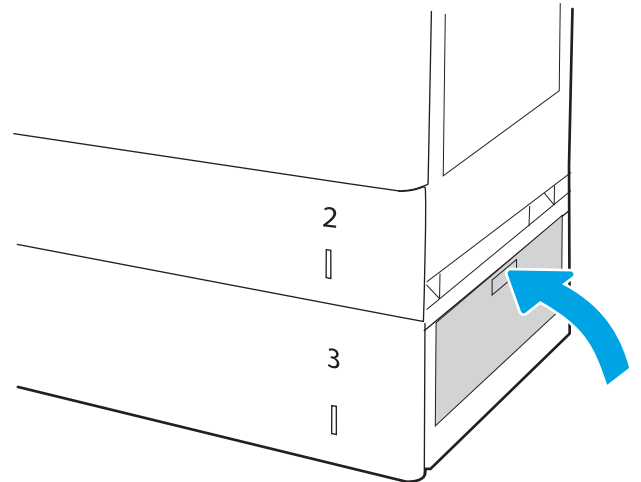
5. Open the lower-right door.



6. Gently pull out any jammed paper.

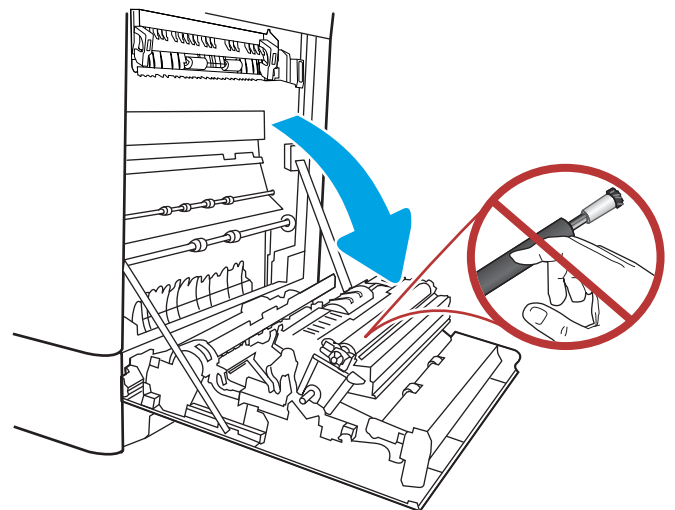


7. Close the lower-right door.

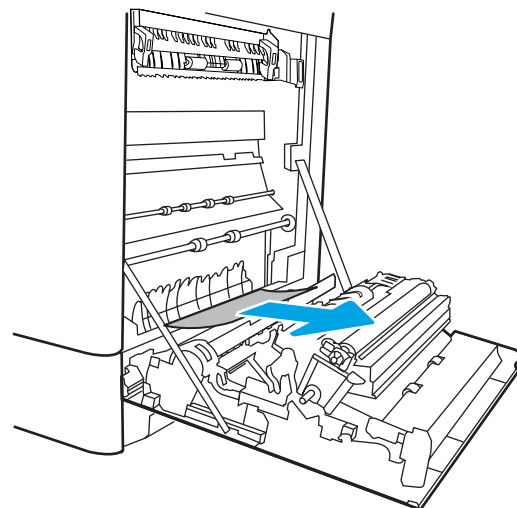


8. Open the right door.

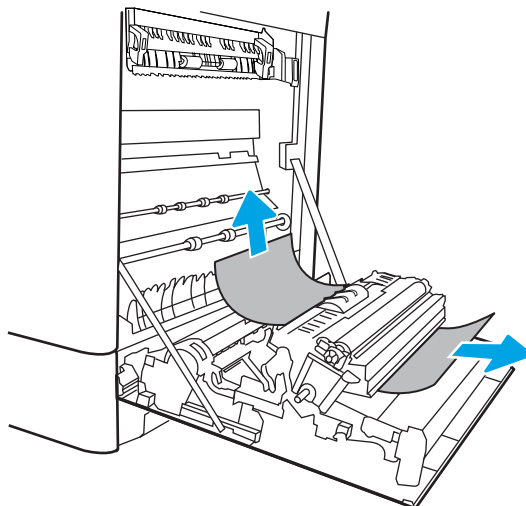
CAUTION: Do not touch the transfer roller. Contaminants can affect print quality.



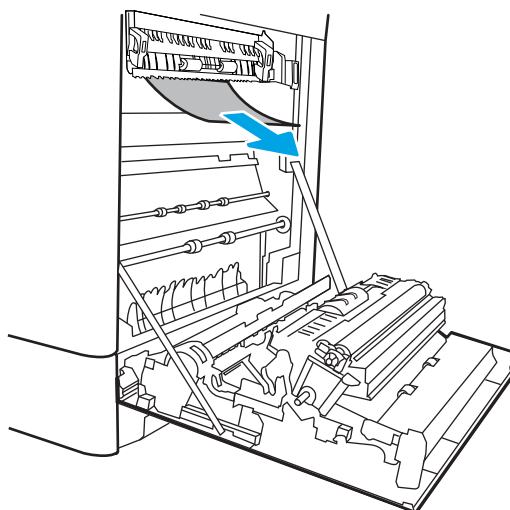
9. Gently pull out any jammed paper.



10. Gently pull out any jammed paper in the duplex area on the right door.



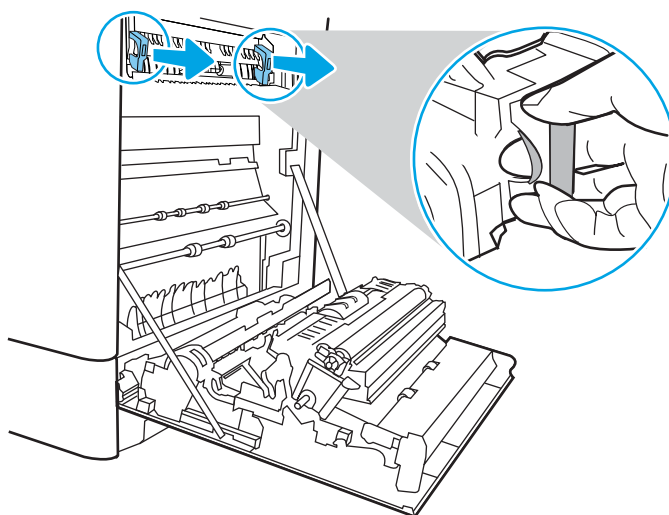
11. If paper is visible entering the bottom of the fuser, gently pull downward to remove it.



12. Paper could be jammed inside the fuser where it would not be visible. Grasp the fuser handles, squeeze the release levers, lift up slightly, and then pull straight out to remove the fuser.



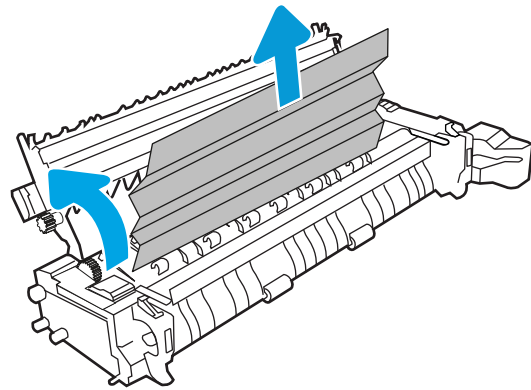
CAUTION: The fuser can be hot while the printer is in use. Wait for the fuser to cool before handling it.



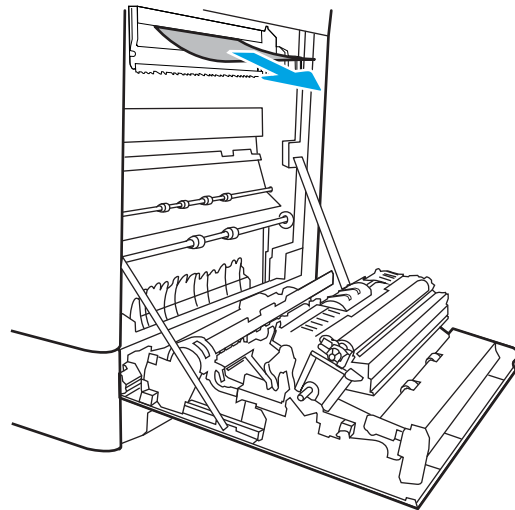
13. Open the jam-access door on the fuser. If paper is jammed inside the fuser, gently pull it straight up to remove it. If the paper tears, remove all paper fragments.



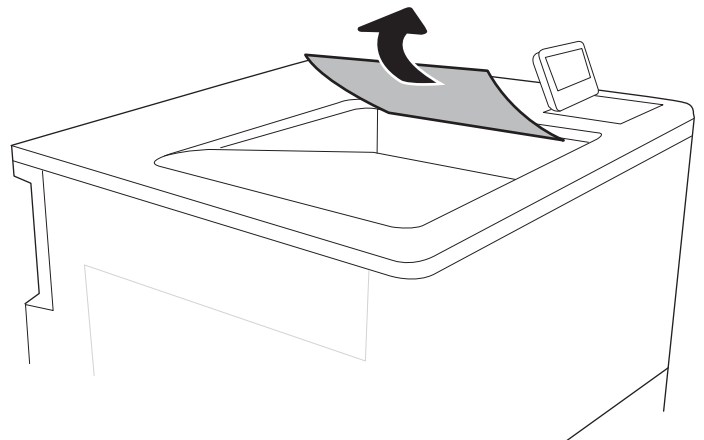
CAUTION: Even if the body of the fuser has cooled, the rollers that are inside could still be hot. Do not touch the fuser rollers.



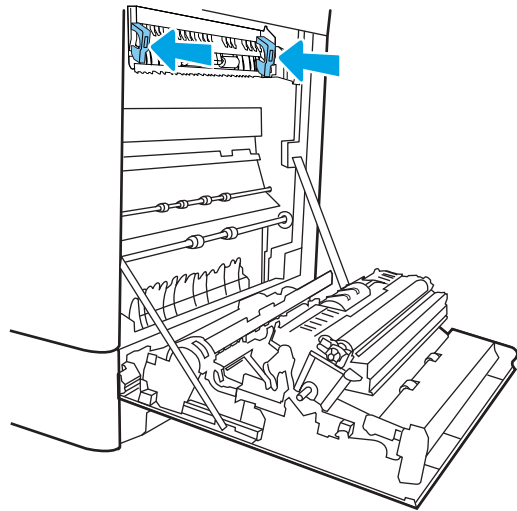
14. If paper is jammed as it enters the output bin, gently pull the paper out to remove it.



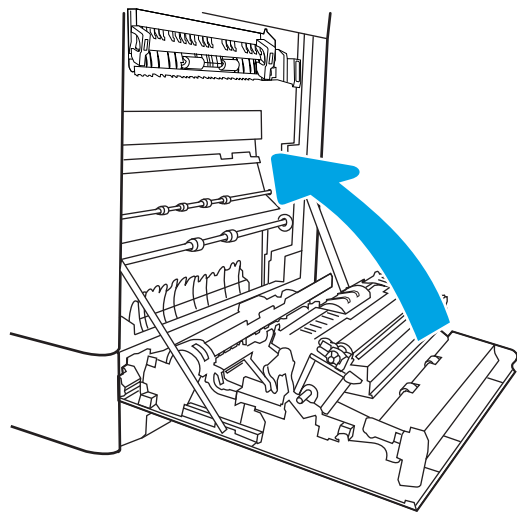
15. If paper is visible in the output bin, grasp the leading edge and gently remove it.



16. Close the jam-access door on the fuser, and push the fuser completely into the printer until it clicks into place.



17. Close the right door.

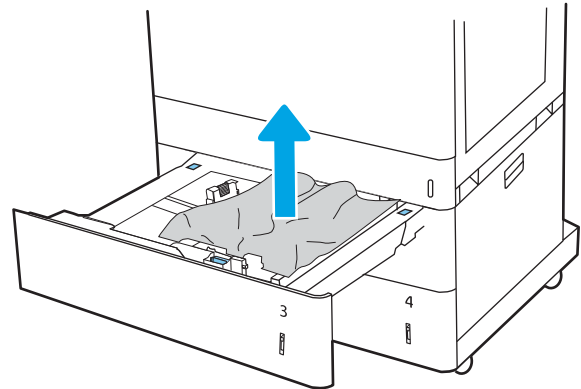


Clear paper jams in the 2 x 550 paper trays (13.A4, 13.A5)

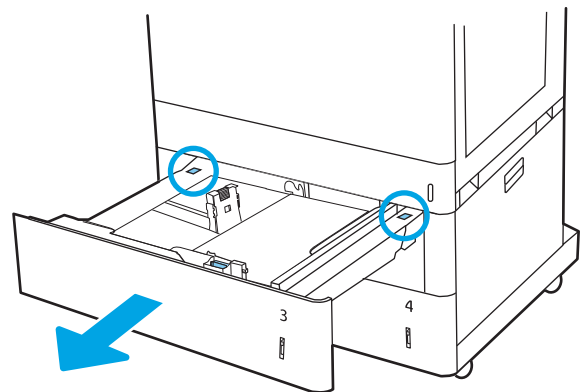
Use the following procedure to check for paper in all possible jam locations related to the 2 x 550-sheet trays and inside the right door. When a jam occurs, the control panel might display a message and an animation that assists in clearing the jam.

- 13.A4.XX Jam in tray 4
- 13.A5.XX Jam in tray 5

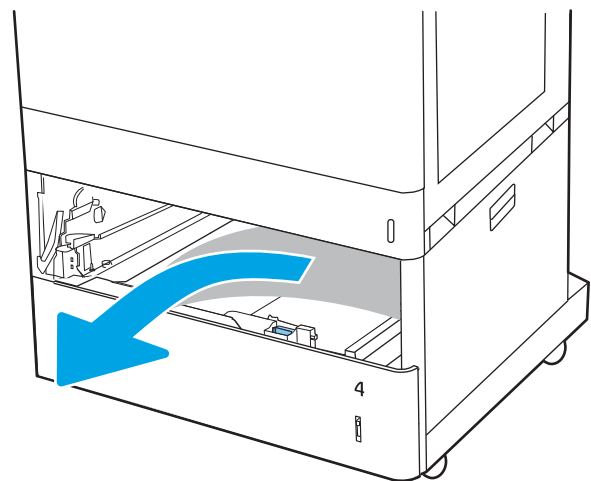
1. Open the tray and remove any jammed or damaged sheets of paper. Verify that the tray is not overfilled and that the paper guides are adjusted correctly.



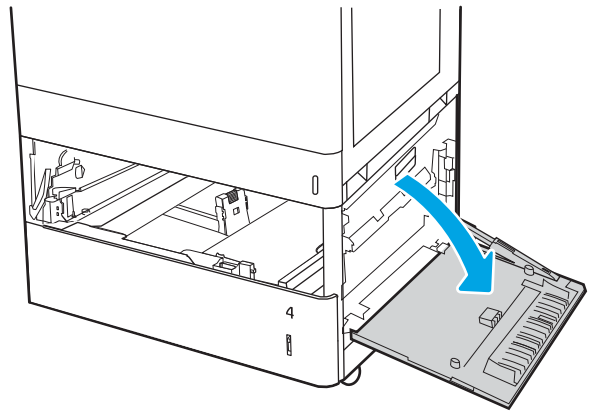
2. Release two tabs at the back of the tray, and then pull the tray completely out of the printer.



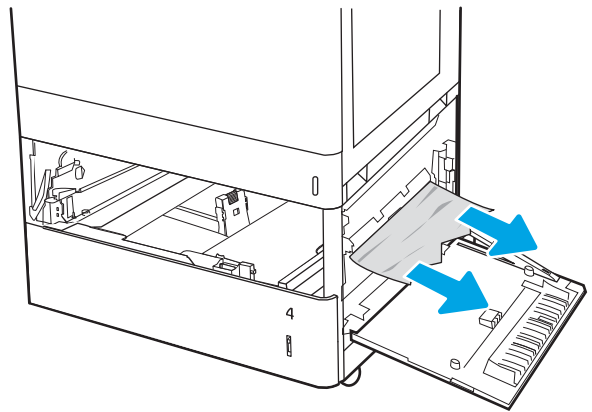
3. Remove the jammed paper from the feed rollers inside the printer. First pull the paper to the left, and then pull it forward to remove it.



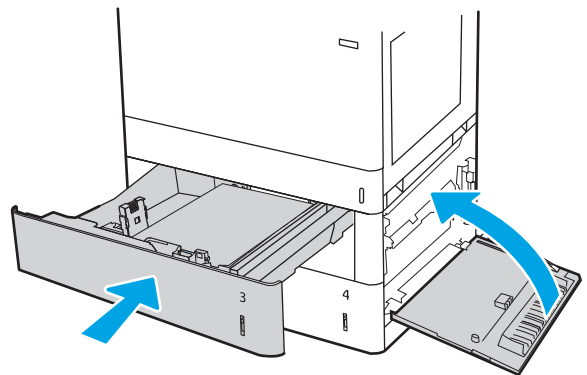
4. Open the lower-right door.



5. Gently pull out any jammed paper.

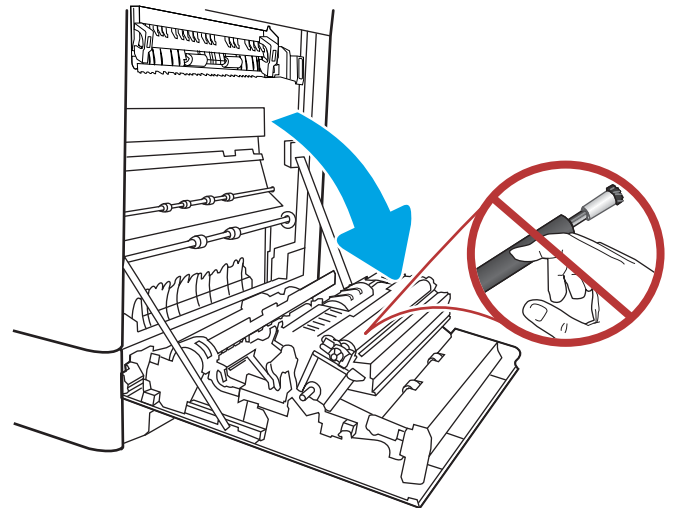


6. Close the lower-right door, and then install and close the tray.

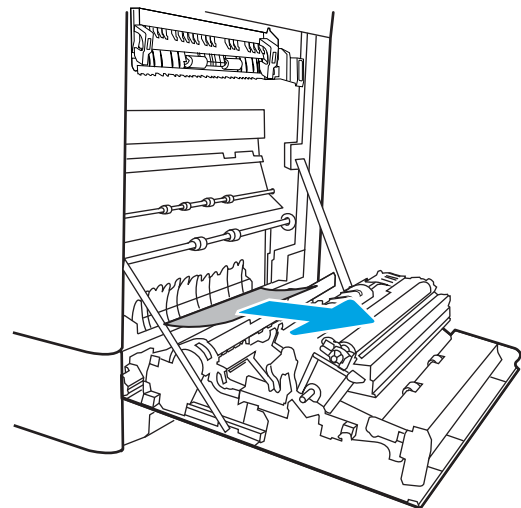


7. Open the right door.

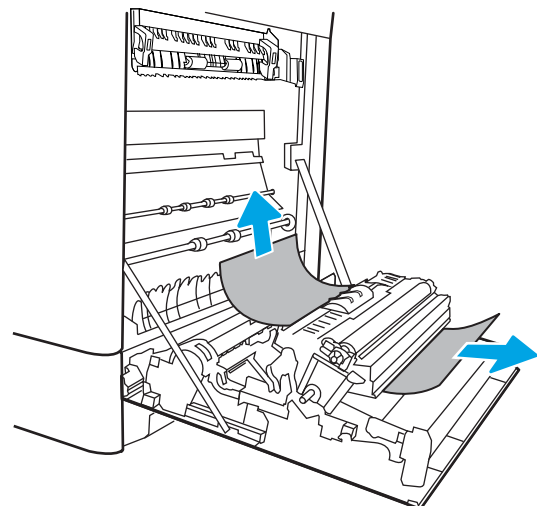
CAUTION: Do not touch the transfer roller. Contaminants can affect print quality.



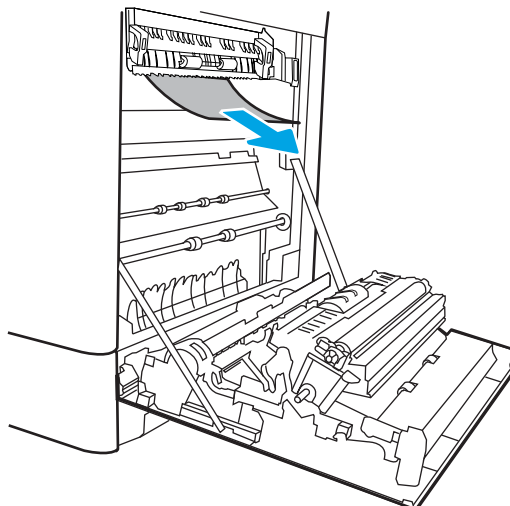
8. Gently pull out any jammed paper.



9. Gently pull out any jammed paper in the duplex area on the right door.



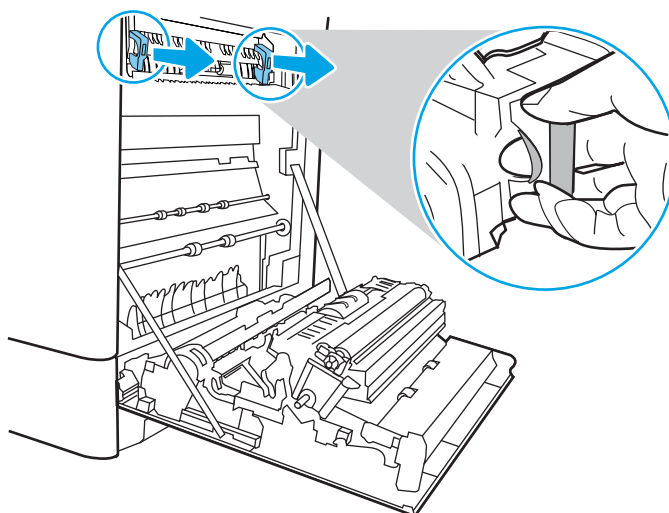
10. If paper is visible entering the bottom of the fuser, gently pull downward to remove it.



11. Paper could be jammed inside the fuser where it would not be visible. Grasp the fuser handles, squeeze the release levers, lift up slightly, and then pull straight out to remove the fuser.



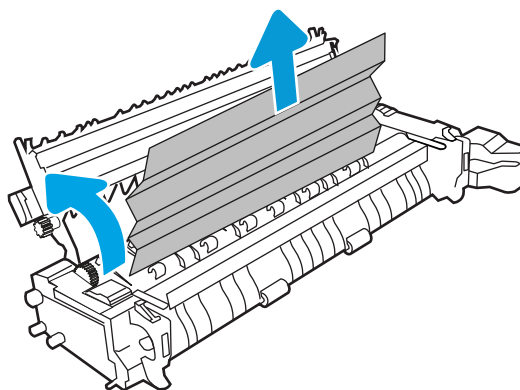
CAUTION: The fuser can be hot while the printer is in use. Wait for the fuser to cool before handling it.



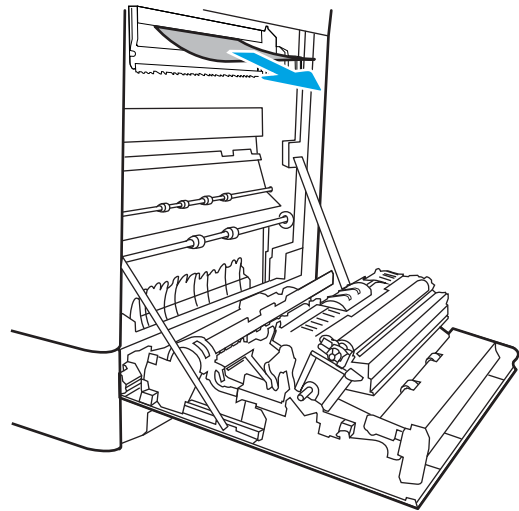
12. Open the jam-access door on the fuser. If paper is jammed inside the fuser, gently pull it straight up to remove it. If the paper tears, remove all paper fragments.



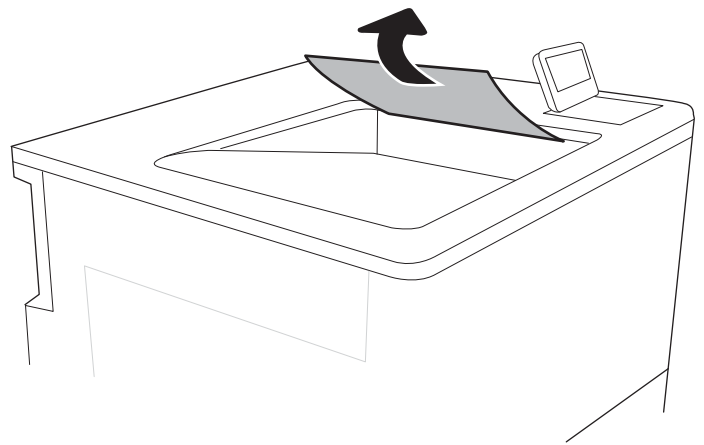
CAUTION: Even if the body of the fuser has cooled, the rollers that are inside could still be hot. Do not touch the fuser rollers.



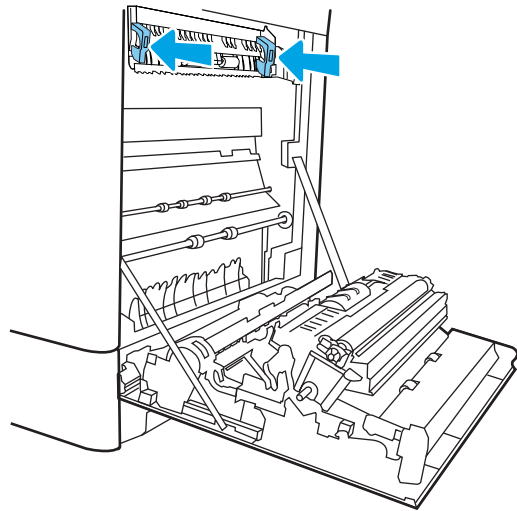
13. If paper is jammed as it enters the output bin, gently pull the paper out to remove it.



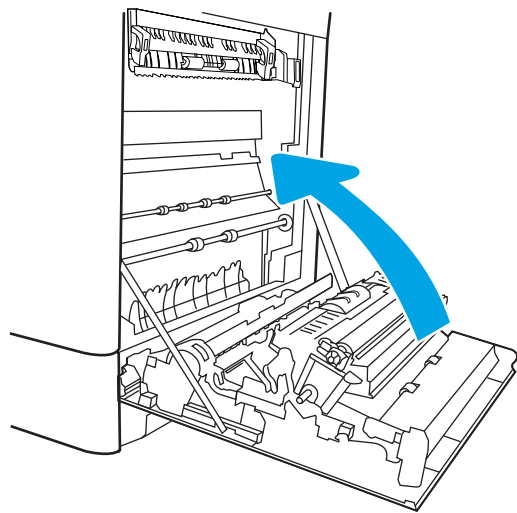
14. If paper is visible in the output bin, grasp the leading edge and gently remove it.



15. Close the jam-access door on the fuser, and push the fuser completely into the printer until it clicks into place.



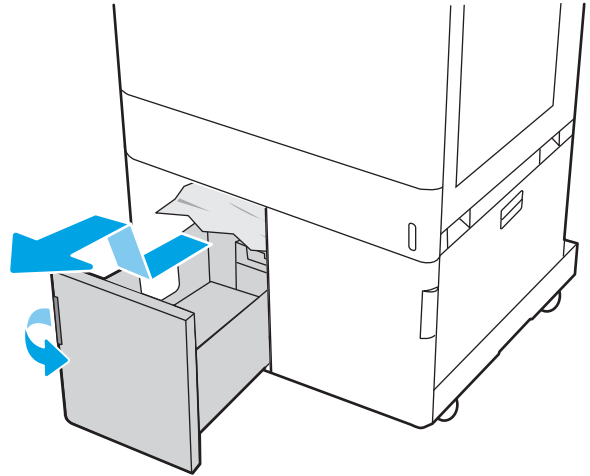
16. Close the right door.



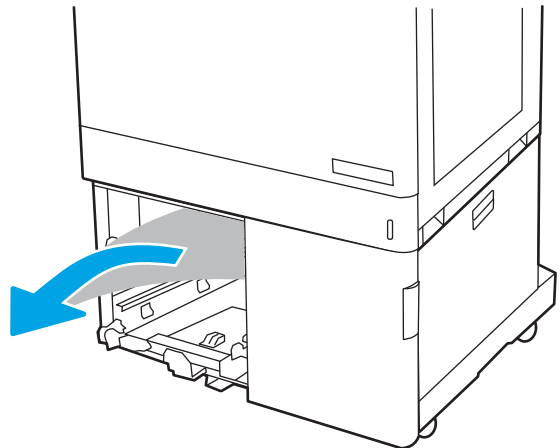
Clear paper jams in the 2,700-sheet high-capacity input paper trays (13.A3, 13.A4, 13.A5, 13.A7)

Use the following procedure to check for paper in all possible jam locations related to the 2,700-sheet high-capacity input (HCI) paper tray and inside the right door. When a jam occurs, the control panel might display a message and an animation that assists in clearing the jam.

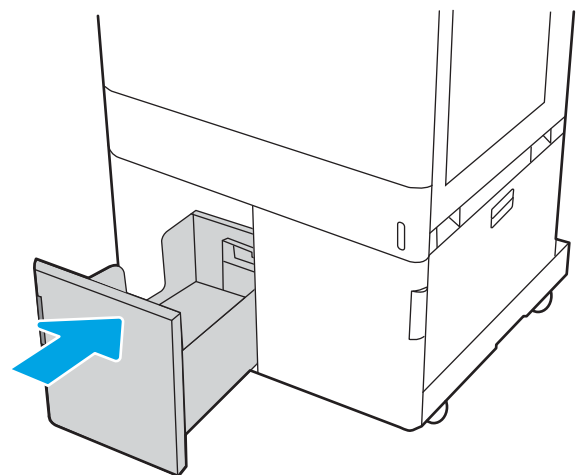
1. Release the tray latch on the left HCI tray. Slide the tray away from the printer until it stops, and then lift it up and away from the printer to remove it.



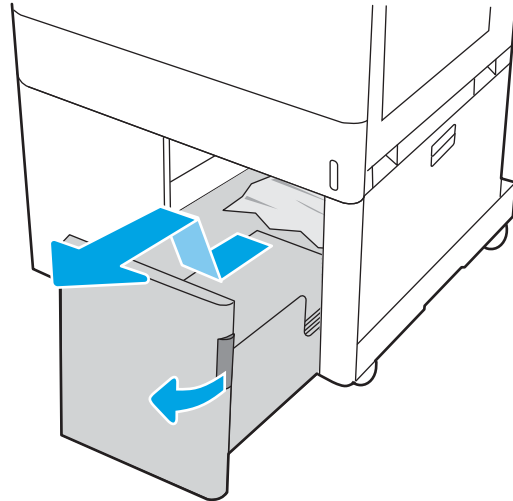
2. Remove any jammed paper from the feed rollers inside the printer. First pull the paper to the left, and then pull it forward to remove it.



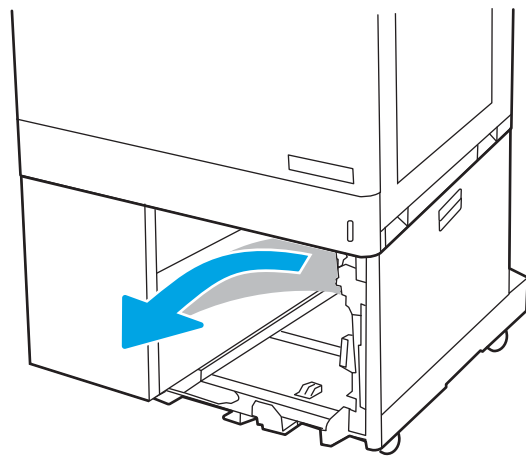
3. Install and close the left HCI tray.



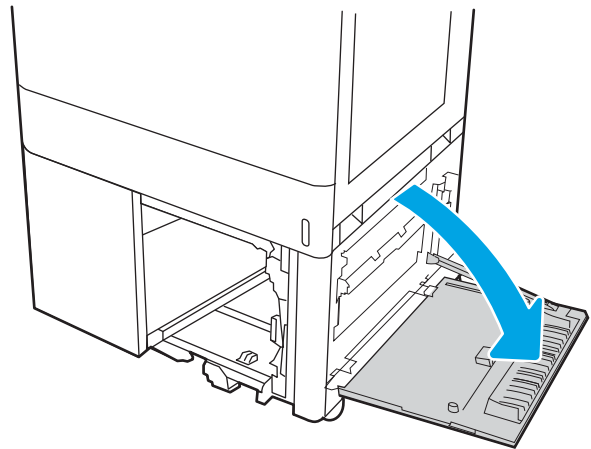
4. Release the tray latch on the right HCl tray. Slide the tray away from the printer until it stops, and then lift it up and away from the printer to remove it.



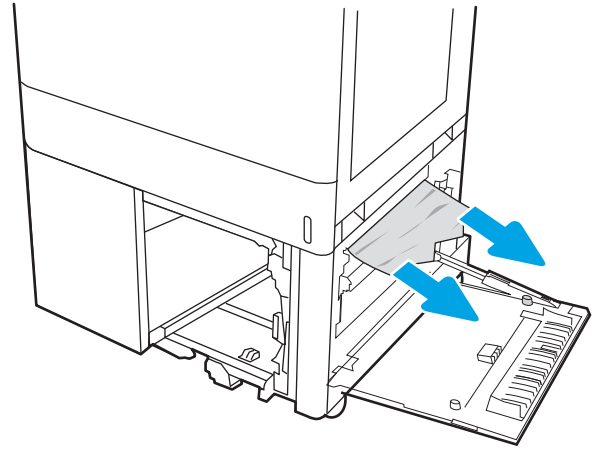
5. Remove any jammed paper from the feed rollers inside the printer. First pull the paper to the left, and then pull it forward to remove it.



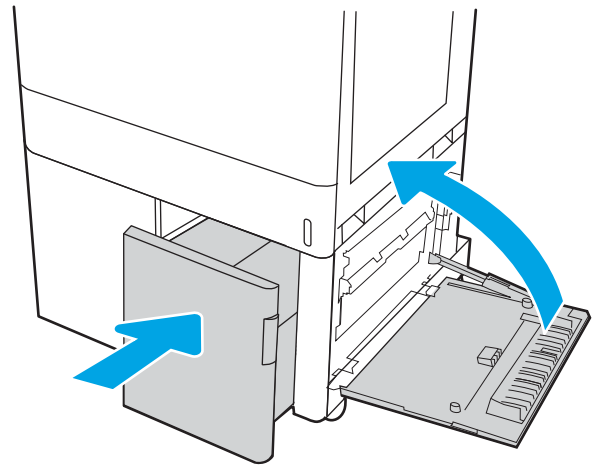
6. Open the lower-right door.



7. Remove any damaged sheets.

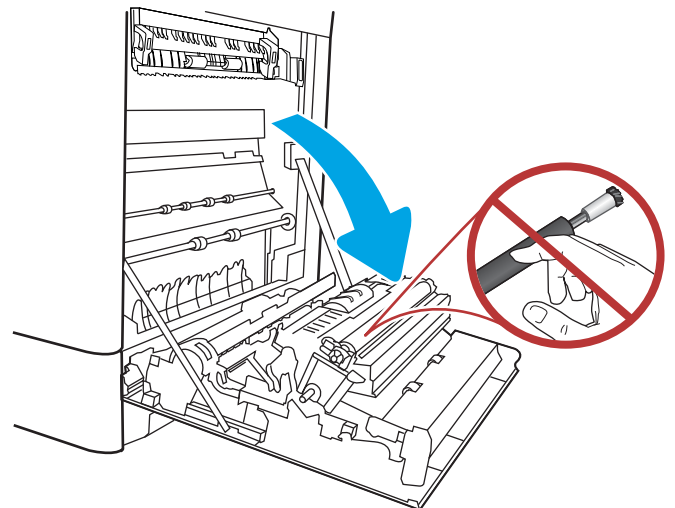


8. Close the lower-right door, and then install and close the right HCl tray.

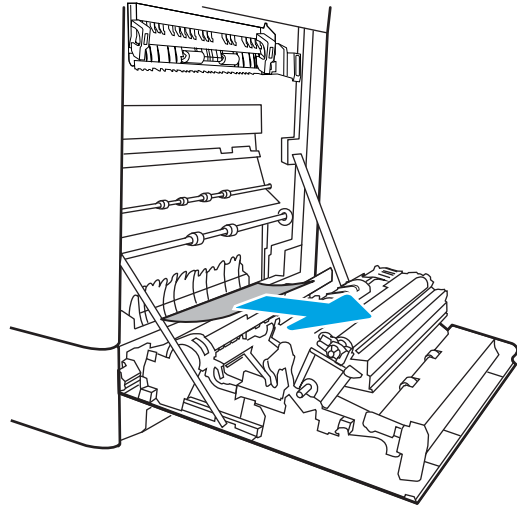


9. Open the right door.

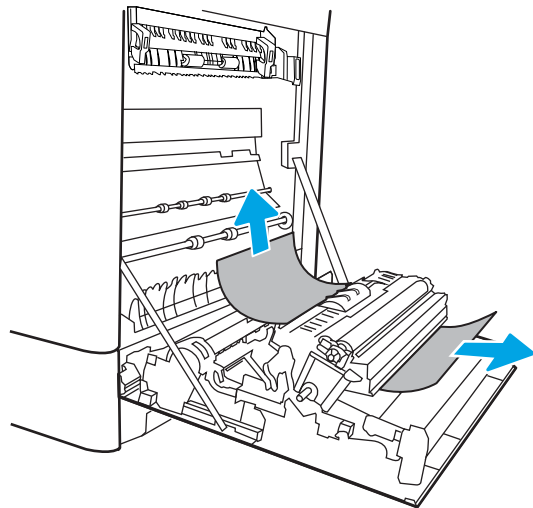
CAUTION: Do not touch the transfer roller. Contaminants can affect print quality.



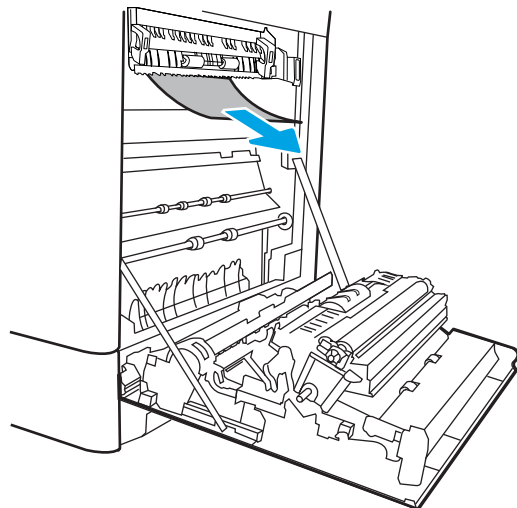
10. Gently pull out any jammed paper.



11. Gently pull out any jammed paper in the duplex area on the right door.



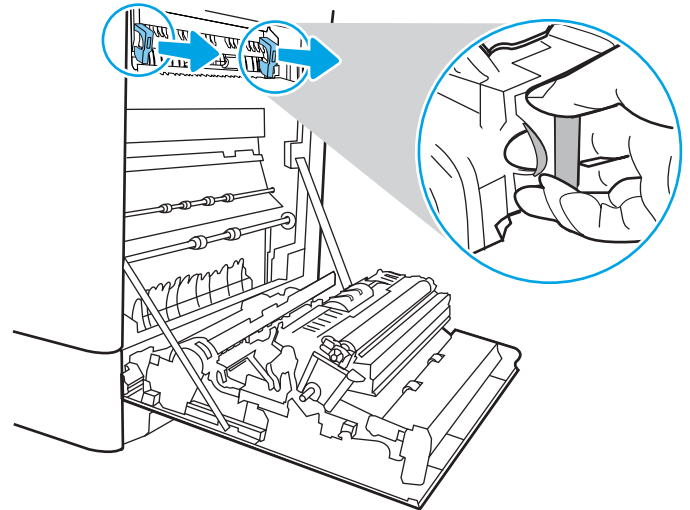
12. If paper is visible entering the bottom of the fuser, gently pull downward to remove it.



13. Paper could be jammed inside the fuser where it would not be visible. Grasp the fuser handles, squeeze the release levers, lift up slightly, and then pull straight out to remove the fuser.



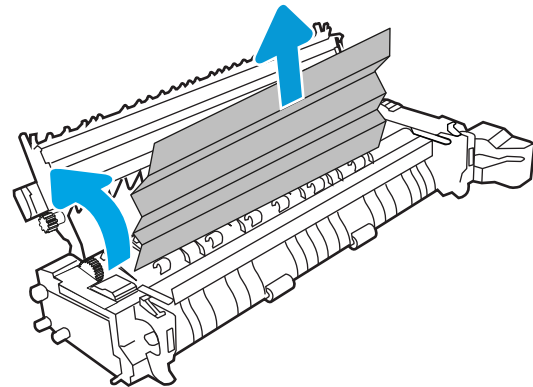
CAUTION: The fuser can be hot while the printer is in use. Wait for the fuser to cool before handling it.



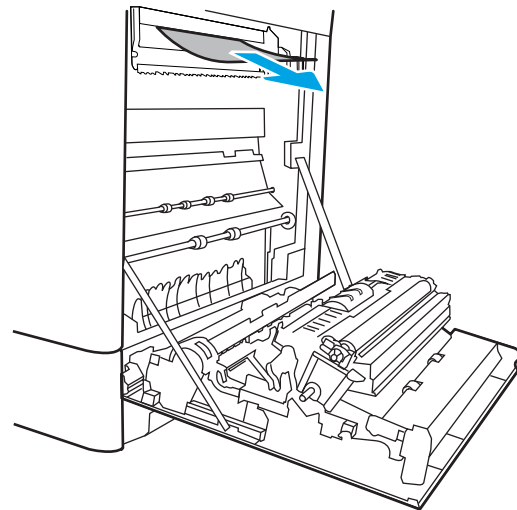
14. Open the jam-access door on the fuser. If paper is jammed inside the fuser, gently pull it straight up to remove it. If the paper tears, remove all paper fragments.



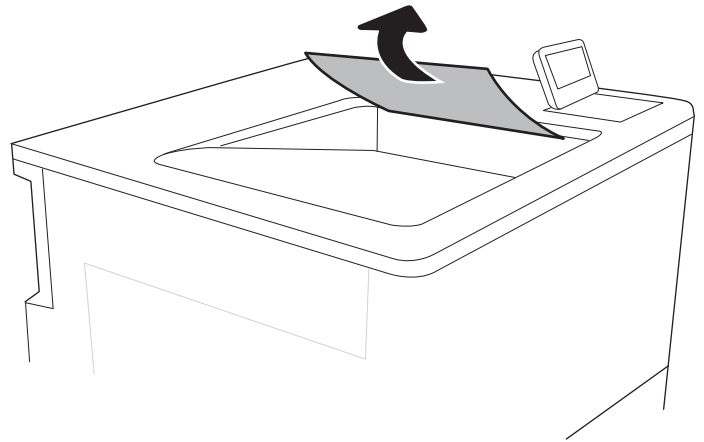
CAUTION: Even if the body of the fuser has cooled, the rollers that are inside could still be hot. Do not touch the fuser rollers.



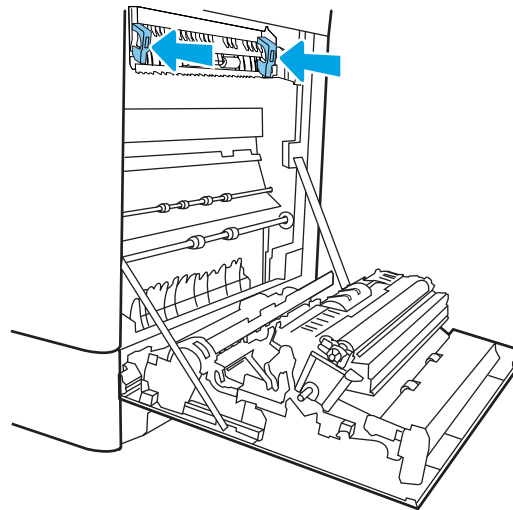
15. If paper is jammed as it enters the output bin, gently pull the paper out to remove it.



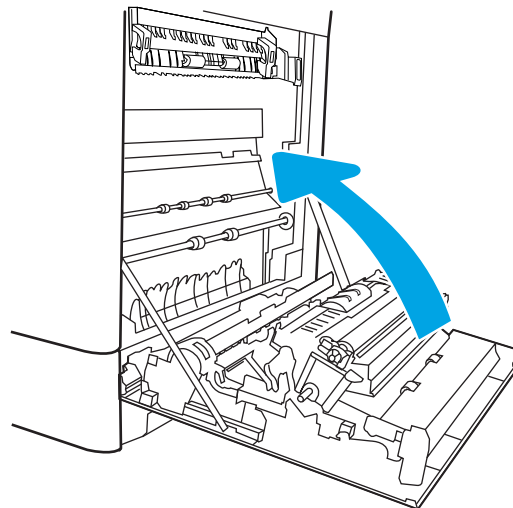
16. If paper is visible in the output bin, grasp the leading edge and gently remove it.



17. Close the jam-access door on the fuser, and push the fuser completely into the printer until it clicks into place.



18. Close the right door.



Resolve print-quality problems

Introduction

Use the information below to troubleshoot print-quality problems, including issues with image quality and color quality.

The troubleshooting steps can help resolve the following defects:

- Blank pages
- Black pages
- Colors that do not align
- Curled paper
- Dark or light bands
- Dark or light streaks
- Fuzzy print
- Gray background or dark print
- Light print
- Loose toner
- Missing toner
- Scattered dots of toner
- Skewed images
- Smears
- Streaks

Troubleshoot print quality

To resolve print-quality issues, try these steps in the order presented.

To troubleshoot specific image defects, see [Troubleshoot image defects](#).

Update the printer firmware

Try upgrading the printer firmware.

Print from a different software program

Try printing from a different software program. If the page prints correctly, the problem is with the software program from which you were printing.

Check the paper-type setting for the print job

Check the paper type setting when printing from a software program and the printed pages have smears, fuzzy or dark print, curled paper, scattered dots of toner, loose toner, or small areas of missing toner.

Check the paper type setting on the printer

1. Open the tray.
2. Verify that the tray is loaded with the correct type of paper.
3. Close the tray.
4. Follow the control panel instructions to confirm or modify the paper type settings for the tray.

Check the paper type setting (Windows)

1. From the software program, select the **Print** option.
2. Select the printer, and then click the **Properties** or **Preferences** button.
3. Click the **Paper/Quality** tab.
4. From the **Paper Type** drop-down list, click the **More...** option.
5. Expand the list of **Type is:** options.
6. Expand the category of paper types that best describes your paper.
7. Select the option for the type of paper you are using, and click the **OK** button.
8. Click the **OK** button to close the **Document Properties** dialog box. In the **Print** dialog box, click the **OK** button to print the job.


Check the paper type setting (macOS)

1. Click the **File** menu, and then click the **Print** option.
2. In the **Printer** menu, select the printer.
3. By default, the print driver displays the **Copies & Pages** menu. Open the menus drop-down list, and then click the **Finishing** menu.
4. Select a type from the **Media Type** drop-down list.
5. Click the **Print** button.

Check toner-cartridge status

Follow these steps to check the estimated life remaining in the toner cartridges and if applicable, the status of other replaceable maintenance parts.

Step one: Print the supplies status page

1. From the Home screen on the printer control panel, select the **Reports** menu.
2. Select the **Configuration/Status Pages** menu.
3. Select **Supplies Status Page**, and then, select **Print**  to print the page.

Step two: Check supplies status

1. Look at the supplies status report to check the percent of life remaining for the toner cartridges and, if applicable, the status of other replaceable maintenance parts.

Print quality problems can occur when using a toner cartridge that is at its estimated end of life. The supplies status page indicates when a supply level is very low. After an HP supply has reached the very low threshold, HP's premium protection warranty on that supply has ended.

The toner cartridge does not need to be replaced now unless the print quality is no longer acceptable. Consider having a replacement available to install when print quality is no longer acceptable.

If you determine that you need to replace a toner cartridge or other replaceable maintenance parts, the supplies status page lists the genuine HP part numbers.

2. Check to see if you are using a genuine HP cartridge.

A genuine HP toner cartridge has the word "HP" on it, or has the HP logo on it. For more information on identifying HP cartridges go to www.hp.com/go/learnaboutesupplies.

Print a cleaning page

During the printing process paper, toner, and dust particles can accumulate inside the printer and can cause print-quality issues such as toner specks or spatter, smears, streaks, lines, or repeating marks.

Follow these steps to clean the printer's paper path.


1. Load plain paper in Tray 1.
2. From the Home screen on the printer control panel, select the [Support Tools](#) menu.
3. Select the following menus:
 - [Maintenance](#)
 - [Calibration/Cleaning](#)
 - [Cleaning Page](#)
4. Select [Print](#) to print the page.

A **Cleaning...** message displays on the printer control panel. The cleaning process takes a few minutes to complete. Do not turn the printer off until the cleaning process has finished. When it is finished, discard the printed page.

Visually inspect the toner cartridge or cartridges

Follow these steps to inspect each toner cartridge.

1. Remove the toner cartridges from the printer, and verify that the sealing tape has been removed.
2. Check the memory chip for damage.
3. Examine the surface of the green imaging drum.

 **CAUTION:** Do not touch the imaging drum. Fingerprints on the imaging drum can cause print-quality problems.

4. If you see any scratches, fingerprints, or other damage on the imaging drum, replace the toner cartridge.
5. Reinstall the toner cartridge, and print a few pages to see if the problem has resolved.

Check paper and the printing environment

Step one: Use paper that meets HP specifications

Some print-quality problems arise from using paper that does not meet HP specifications.

- Always use a paper type and weight that this printer supports.
- Use paper that is of good quality and free of cuts, nicks, tears, spots, loose particles, dust, wrinkles, voids, staples, and curled or bent edges.
- Use paper that has not been previously printed on.
- Use paper that does not contain metallic material, such as glitter.
- Use paper that is designed for use in laser printers. Do not use paper that is designed only for use in Inkjet printers.
- Use paper that is not too rough. Using smoother paper generally results in better print quality.

Step two: Check the environment

The environment can directly affect print quality and is a common cause for print-quality or paper-feeding issues. Try the following solutions:

- Move the printer away from drafty locations, such as open windows or doors, or air-conditioning vents.
- Make sure the printer is not exposed to temperatures or humidity outside of printer specifications.
- Do not place the printer in a confined space, such as a cabinet.
- Place the printer on a sturdy, level surface.
- Remove anything that is blocking the vents on the printer. The printer requires good air flow on all sides, including the top.
- Protect the printer from airborne debris, dust, steam, grease, or other elements that can leave residue inside the printer.

Step three: Set the individual tray alignment

Follow these steps when text or images are not centered or aligned correctly on the printed page when printing from specific trays.

1. Load plain paper in Tray 1.
2. From the Home screen on the printer control panel, select the [Settings](#) menu.
3. Select the following menus:
 - [Copy/Print](#) or [Print](#)
 - [Print Quality](#)
 - [Image Registration](#)

4. Select **Tray**, and then select the tray to adjust.
5. Select **Print Test Page**, and then follow the instructions on the printed pages.
6. Select **Print Test Page** again to verify the results, and then make further adjustments if necessary.
7. Select **Done** to save the new settings.

Try a different print driver

Try a different print driver when printing from a software program and the printed pages have unexpected lines in graphics, missing text, missing graphics, incorrect formatting, or substituted fonts.

Download any of the following drivers from the HP Web site: www.hp.com/support/colorljE75245.

HP PCL 6 V3 driver	This printer-specific print driver supports Windows 7 and newer operating systems that support version 3 drivers. For a list of supported operating systems, go to www.hp.com/go/support .
HP PCL-6 V4 driver	This product-specific print driver supports Windows 8 and newer operating systems that support version 4 drivers. For a list of supported operating systems, go to www.hp.com/go/support .
HP UPD PS driver	<ul style="list-style-type: none"> • Recommended for printing with Adobe® software programs or with other highly graphics-intensive software programs • Provides support for printing from postscript emulation needs, or for postscript flash font support
HP UPD PCL 6	<ul style="list-style-type: none"> • Recommended for printing in all Windows environments • Provides the overall best speed, print quality, and printer feature support for most users • Developed to align with Windows Graphic Device Interface (GDI) for best speed in Windows environments • Might not be fully compatible with third-party and custom software programs that are based on PCL 5

Solve wired network problems

Introduction

Certain types of problems can indicate there is a network communication problem. These problems include the following issues:

- The periodic loss of ability to communicate with the printer
- The printer cannot be found during driver installation
- A periodic failure to print



NOTE: If you have been experiencing intermittent loss of network connectivity, first update the printer firmware. For instructions on how to update the printer firmware, go to <http://support.hp.com>, search for your printer, and then search on “update the firmware.”

Check the following items to verify that the printer is communicating with the network. Before beginning, print a configuration page from the printer control panel and locate the printer IP address that is listed on this page.

- [Poor physical connection](#)
- [The computer is using the incorrect IP address for the printer](#)
- [The computer is unable to communicate with the printer](#)
- [The printer is using incorrect link and duplex settings for the network](#)
- [New software programs might be causing compatibility problems](#)
- [The computer or workstation might be set up incorrectly](#)
- [The printer is disabled, or other network settings are incorrect](#)



NOTE: HP does not support peer-to-peer networking, as the feature is a function of Microsoft operating systems and not of the HP print drivers. For more information, go to Microsoft at www.microsoft.com.

Poor physical connection

1. Verify that the printer is attached to the correct network port using a cable of the correct length.
2. Verify that cable connections are secure.
3. Look at the network port connection on the back of the printer, and verify that the amber activity light flashes indicating network traffic, and the green link-status light is continuously lit indicating a network link.
4. If the problem continues, try a different cable or port on the hub.

The computer is using the incorrect IP address for the printer

1. Open the printer properties and click the **Ports** tab. Verify that the current IP address for the printer is selected. The printer IP address is listed on the printer configuration page.
2. If you installed the printer using the HP standard TCP/IP port, select the box labeled **Always print to this printer, even if its IP address changes**.

3. If you installed the printer using a Microsoft standard TCP/IP port, use the hostname instead of the IP address.
4. If the IP address is correct, delete the printer and then add it again.

The computer is unable to communicate with the printer

1. Test network communication by pinging the network.
 - a. Open a command-line prompt on your computer.
 - For Windows, click **Start**, click **Run**, type `cmd`, and then press **Enter**.
 - For macOS, go to **Applications**, then **Utilities**, and open **Terminal**.
 - b. Type `ping` followed by the IP address for your printer.
 - c. If the window displays round-trip times, the network is working.
2. If the ping command failed, verify that the network hubs are on, and then verify that the network settings, the printer, and the computer are all configured for the same network (also known as subnet).
3. Open the printer properties and click the **Ports** tab. Verify that the current IP address for the printer is selected. The printer IP address is listed on the printer configuration page.
4. If you installed the printer using the HP standard TCP/IP port, select the box labeled **Always print to this printer, even if its IP address changes**.
5. If you installed the printer using a Microsoft standard TCP/IP port, use the printer's hostname instead of the IP address.
6. If the IP address is correct, delete the printer and then add it again.

The printer is using incorrect link and duplex settings for the network

HP recommends leaving these settings in automatic mode (the default setting). If you change these settings, you must also change them for your network.

New software programs might be causing compatibility problems

Verify that any new software programs are correctly installed and that they use the correct print driver.

The computer or workstation might be set up incorrectly

1. Check the network drivers, print drivers, and the network redirection settings.
2. Verify that the operating system is configured correctly.

The printer is disabled, or other network settings are incorrect

1. Review the printer's configuration/networking pages to check the status of the network settings and protocols.
2. Reconfigure the network settings if necessary.

Index

Symbols/Numerics

2 x 550-sheet trays
loading 38

2,700-sheet HCl paper trays
loading 45

550-sheet trays
jams 126
loading 31

A

accessories

ordering 56

acoustic specifications 15

AirPrint 76

alternative letterhead mode 24, 30,
37, 44, 49

Android devices
printing from 77

B

bin, output

locating 4

Bonjour

identifying 82

browser requirements

HP embedded Web Server 82

C

cartridge

replacing 57

cartridges

order numbers 57

cleaning

paper path 147

control panel

help 99

locating 4

locating features 7

customer support

online 98

D

default gateway, setting 89

deleting

stored jobs 73

dimensions, printer 13

double-sided printing

Mac 68

Windows 65

drivers, supported 11

duplex printing

Mac 68

duplex printing (double-sided)

settings (Windows) 64

Windows 65

duplexer

jams 123

duplexing

manually (Mac) 68

manually (Windows) 65

E

easy-access USB printing 78

electrical specifications 15

Embedded Web Server

changing network settings 89

changing printer name 89

opening 89

Embedded Web Server (EWS)

assigning passwords 92

features 82

network connection 82

energy use, optimizing 94

envelopes

orientation 20

envelopes, loading 50

Ethernet (RJ-45)

locating 6

Explorer, versions supported

HP Embedded Web Server 82

F

formatter

locating 5

fuser

jams 119

G

gateway, setting default 89

general configuration

HP Embedded Web Server 84

H

hard disks

encrypted 93

HCl. *See* high-capacity input paper
trays

Help button

locating 7

help, control panel 99

Hi-Speed USB 2.0 printing port

locating 6

Home button

locating 7

HP Customer Care 98

HP Embedded Web Server

changing network settings 89

changing printer name 89

general configuration 84

HP Web Services 86

information pages 83

network settings 86

opening 89

other links list 88

print settings 84

- security settings 86
- supplies settings 85
- troubleshooting tools 85
- HP Embedded Web Server (EWS)
 - features 82
 - network connection 82
- HP ePrint 76
- HP Web Jetadmin 96
- HP Web Services
 - enabling 86

- I**
- image quality
 - check toner-cartridge status 146
- information pages
 - HP Embedded Web Server 83
- interface ports
 - locating 6
- Internet Explorer, versions supported
 - HP Embedded Web Server 82
- IP Security 93
- IPsec 93
- IPv4 address 89
- IPv6 address 90

- J**
- jams
 - 2 x 550 paper trays 133
 - 550-sheet trays 126
 - auto-navigation 109
 - causes of 109
 - duplexer 123
 - fuser 119
 - high-capacity input paper trays 139
 - locations 108
 - output bin 123
 - right door 119, 123
 - Tray 1 110
 - Tray 2 114
- Jetadmin, HP Web 96
- jobs, stored
 - creating (Windows) 71
 - deleting 73
 - Mac settings 72
 - printing 73

- K**
- keypad, locating 4

- L**
- label, orientation 52
- labels
 - printing (Windows) 66
 - printing on 52
- labels, loading 52
- LAN port
 - locating 6
- loading
 - paper in the 2 x 550-sheet trays 38
 - paper in the 2,700-sheet HCl paper trays 45
 - paper in the 550-sheet trays 31
 - paper in Tray 1 18
 - paper in Tray 2 25
- local area network (LAN)
 - locating 6
- lock
 - formatter 93

- M**
- Mac driver settings
 - Job Storage 72
- managing network 89
- manual duplex
 - Mac 68
 - Windows 65
- memory
 - included 9
- memory chip (toner)
 - locating 57
- mobile printing
 - Android devices 77
- multiple pages per sheet
 - printing (Mac) 69
 - printing (Windows) 65

- N**
- Near Field Communication printing 75
- Netscape Navigator, versions supported
 - HP embedded Web Server 82
- network
 - printer name, changing 89
 - settings, changing 89
 - settings, viewing 89
- network duplex settings, changing 90

- network link speed settings,
 - changing 90
- network settings
 - HP Embedded Web Server 86
- networks
 - default gateway 89
 - HP Web Jetadmin 96
 - IPv4 address 89
 - IPv6 address 90
 - subnet mask 89
 - supported 9
- NFC printing 75

- O**
- on/off button
 - locating 4
- online help, control panel 99
- online support 98
- operating systems, supported 11
- ordering
 - supplies and accessories 56
- other links list
 - HP Embedded Web Server 88
- output bin
 - clear jams 123
 - locating 4

- P**
- pages per minute 9
- pages per sheet
 - selecting (Mac) 69
 - selecting (Windows) 65
- paper
 - jams 109
 - loading the 2 x 550-sheet trays 38
 - loading the 2,700-sheet HCl paper trays 45
 - loading the 550-sheet trays 31
 - loading Tray 1 18
 - loading Tray 2 25
 - selecting 148
 - Tray 1 orientation 20
- paper jams
 - 2 x 550 paper trays 133
 - 550-sheet trays 126
 - duplexer 123
 - fuser 119
 - high-capacity input paper trays 139

- locations 108
 - output bin 123
 - right door 119, 123
 - Tray 1 110
 - Tray 2 114
 - paper pickup problems
 - solving 102, 104
 - paper type
 - selecting (Windows) 66
 - paper types
 - selecting (Mac) 69
 - paper, ordering 56
 - ports
 - locating 6
 - power
 - consumption 15
 - power connection
 - locating 5
 - power switch
 - locating 4
 - power usage
 - 1 watts or less 94
 - print drivers, supported 11
 - print media
 - loading in Tray 1 18
 - print on both sides
 - Mac 68
 - manually, Windows 65
 - Windows 65
 - print settings
 - HP Embedded Web Server 84
 - printing
 - from USB storage accessories 78
 - stored jobs 73
 - printing on both sides
 - settings (Windows) 64
 - private printing 71
 - product number
 - locating 5
- R**
- replacing
 - toner cartridges 57
 - toner-collection unit 60
 - reset factory settings 100
 - right door
 - jams 119, 123
 - RJ-45 port
 - locating 6
- S**
- security settings
 - HP Embedded Web Server 86
 - security
 - encrypted hard disk 93
 - serial number
 - locating 5
 - settings
 - reset factory 100
 - sleep mode 94
 - special paper
 - printing (Windows) 66
 - specifications
 - electrical and acoustic 15
 - speed, optimizing 94
 - status of printer 7
 - Stop button
 - locating 7
 - storage, job
 - Mac settings 72
 - store print jobs 71
 - stored jobs
 - creating (Mac) 72
 - creating (Windows) 71
 - deleting 73
 - printing 73
 - storing jobs
 - with Windows 71
 - subnet mask 89
 - supplies
 - low threshold settings 101
 - ordering 56
 - replacing toner cartridges 57
 - replacing toner-collection unit 60
 - using when low 101
 - supplies settings
 - HP Embedded Web Server 85
 - support
 - online 98
 - system requirements
 - HP Embedded Web Server 82
 - minimum 12
- T**
- TCP/IP
 - manually configuring IPv4
 - parameters 89
 - manually configuring IPv6
 - parameters 90
- U**
- technical support
 - online 98
 - toner cartridge
 - low threshold settings 101
 - using when low 101
 - toner cartridges
 - components 57
 - order numbers 57
 - replacing 57
 - toner-collection unit
 - replacing 60
 - transparencies
 - printing (Windows) 66
 - Tray 1
 - jams 110
 - loading envelopes 50
 - paper orientation 20
 - Tray 2
 - jams 114
 - loading 25
 - trays
 - capacity 9
 - included 9
 - locating 4
 - troubleshooting
 - check toner-cartridge status 146
 - jams 109
 - network problems 150
 - paper feed problems 102
 - wired network 150
 - troubleshooting tools
 - HP Embedded Web Server 85
 - two-sided printing
 - settings (Windows) 64
- U**
- USB port
 - enabling 78, 80
 - locating 6
 - USB storage accessories
 - printing from 78
- W**
- Web browser requirements
 - HP Embedded Web Server 82
 - Web sites
 - customer support 98
 - HP Web Jetadmin, downloading 96
 - weight, printer 13

