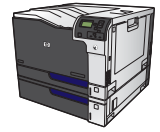


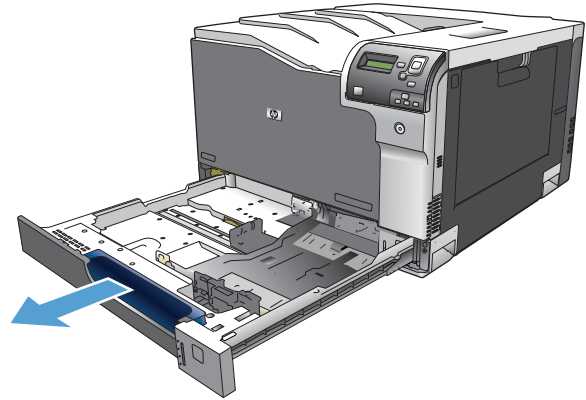


HP LaserJet Enterprise CP5520 Series Printer



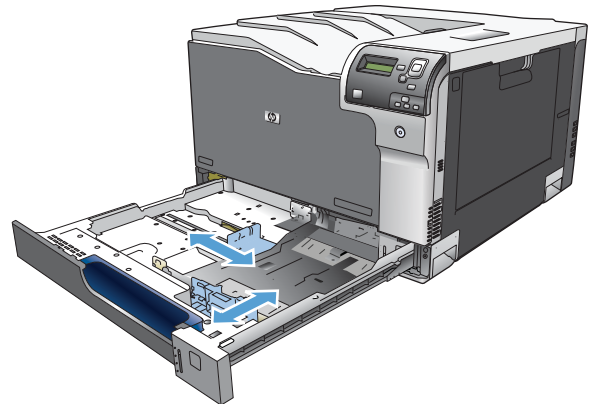
Load Tray 2, Tray 3, and optional Trays 4, 5, and 6 with custom-size paper

1. Open the tray.

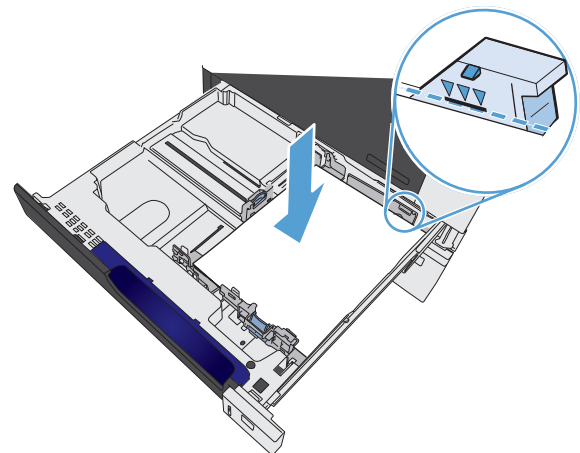


2. Adjust the paper-length and paper-width guides by squeezing the adjustment latches and sliding the guides to the size of the paper being used.

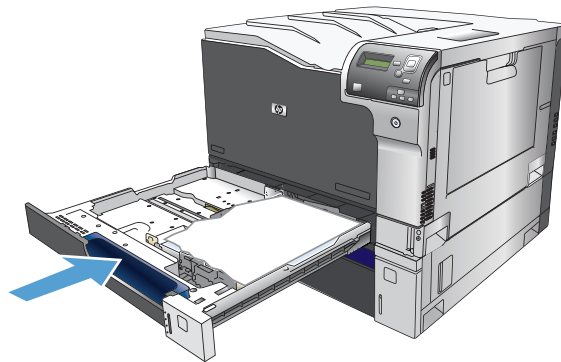
NOTE: It might be easier to load the custom-size paper first, and then adjust the guides.



3. Load paper into the tray. Check the paper to verify the guides lightly touch the stack, but do not bend it.



4. Close the tray.



5. The control panel prompts you to set the paper size and type. Select the **Custom** setting, and then configure the X and Y dimensions of the custom paper size.

NOTE: See the label in the paper tray, or the following illustration, to determine the X and Y dimensions.

