



HP Color LaserJet Enterprise CP4020-CP4520 Series Printer



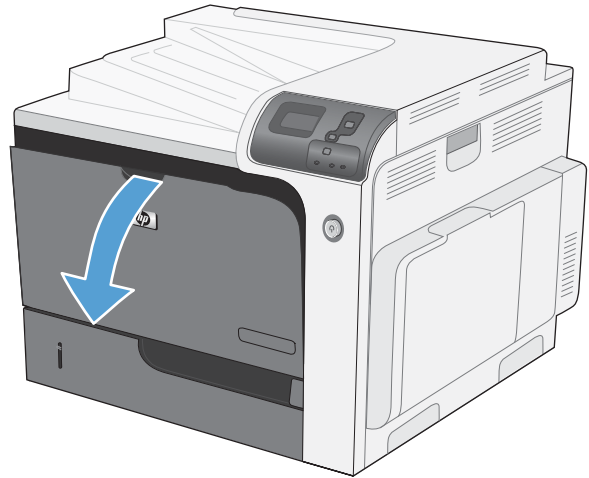
Replace print cartridges

The product uses four colors and has a different print cartridge for each color: black (K), magenta (M), cyan (C), and yellow (Y).

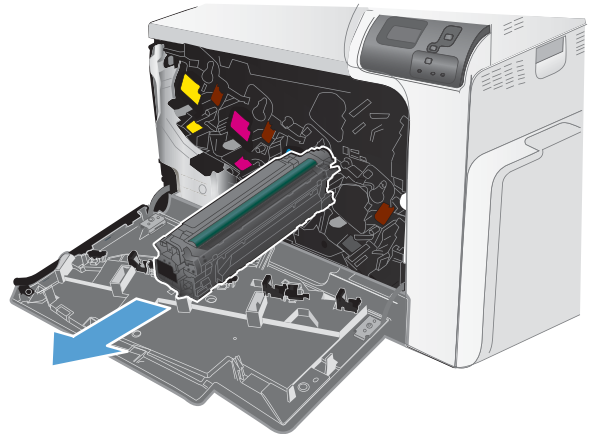
△ **CAUTION:** If toner gets on clothing, wipe it off with a dry cloth and wash the clothes in cold water. Hot water sets toner into fabric.

📄 **NOTE:** Information about recycling used print cartridges is on the print-cartridge box.

1. Open the front door. Make sure that the door is completely open.



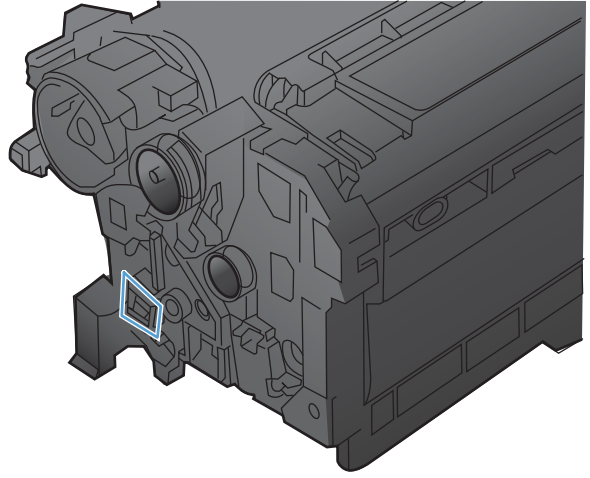
2. Grasp the handle of the used print cartridge and pull out to remove.



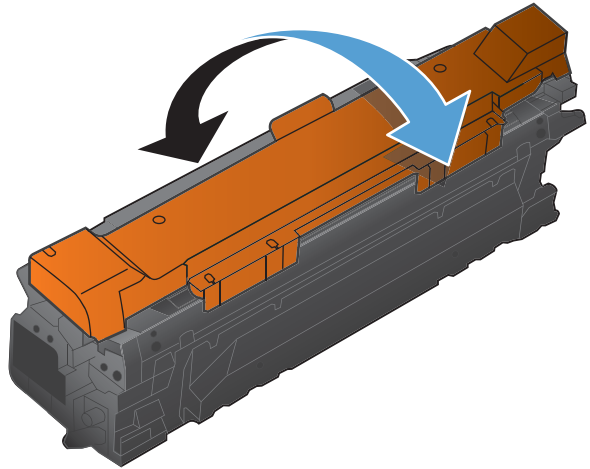
3. Store the used print cartridge in a protective bag. Information about recycling used print cartridges is on the print-cartridge box.

4. Remove the new print cartridge from its protective bag.

NOTE: Be careful not to damage the memory tag on the print cartridge.



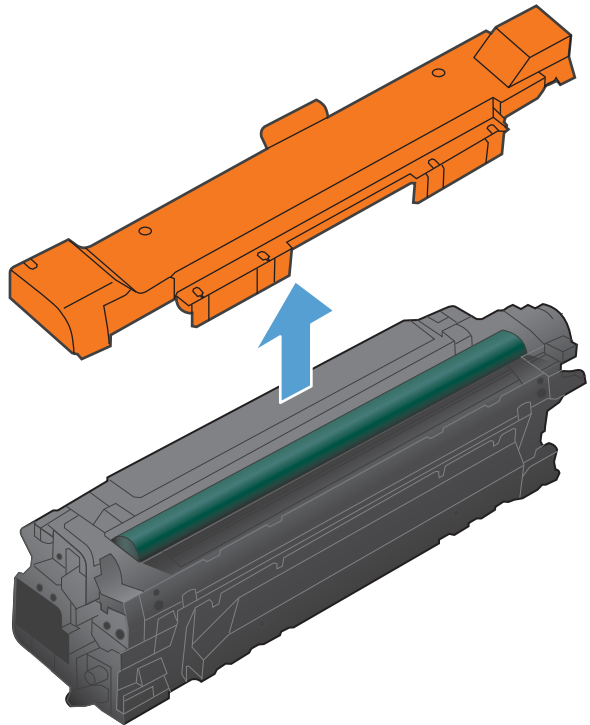
5. Grasp both sides of the print cartridge and distribute the toner by gently rocking the print cartridge.



6. Remove the orange protective cover from the print cartridge.

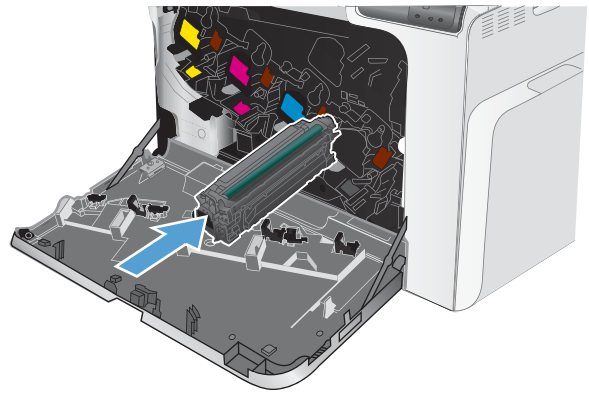
CAUTION: Avoid prolonged exposure to light.

CAUTION: Do not touch the green roller. Doing so can damage the cartridge.



7. Align the print cartridge with its slot and insert the print cartridge until it clicks into place.

NOTE: The print cartridges go in at a slight angle.



8. Close the front door.

