

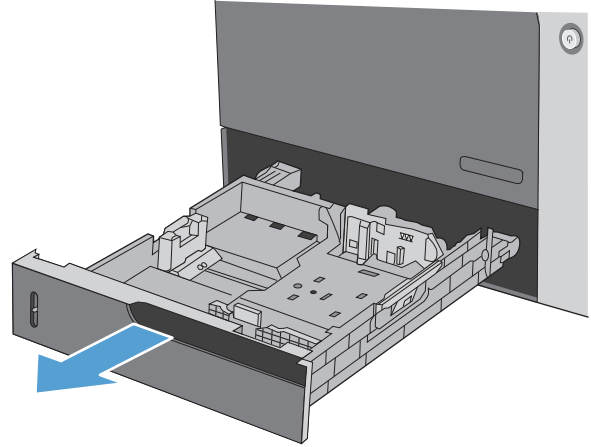


HP Color LaserJet Enterprise CP4020-CP4520 Series Printer

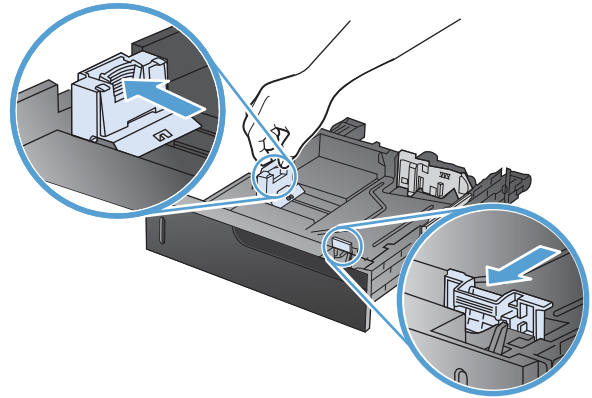


Load Tray 2 with 10 x 15 cm (4 x 6 in) size paper

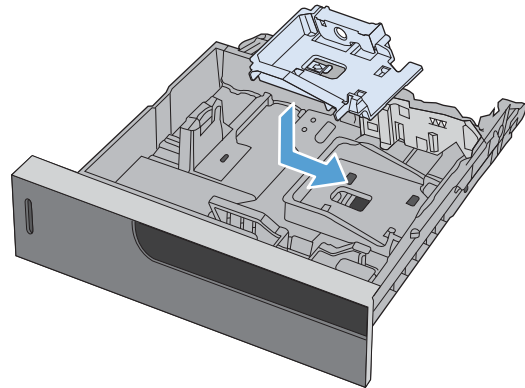
1. Open the tray.



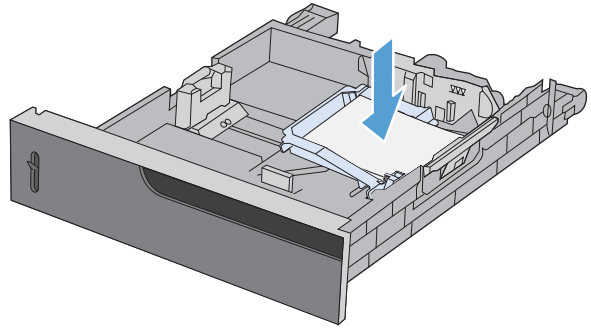
2. Adjust the paper-length and paper-width guides by squeezing the adjustment latches and adjusting the guides to the fully opened position.



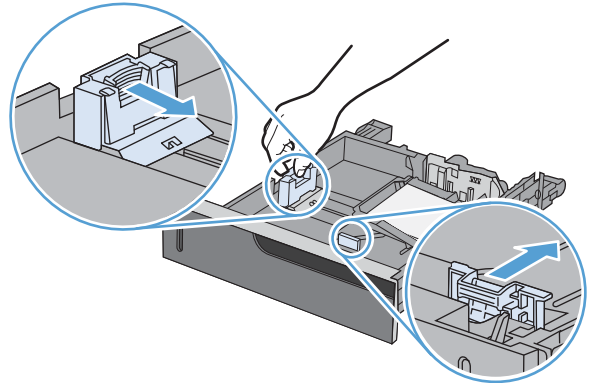
3. Fit the HP postcard media insert into Tray 2 and then slide the insert to the right until it snaps into place.



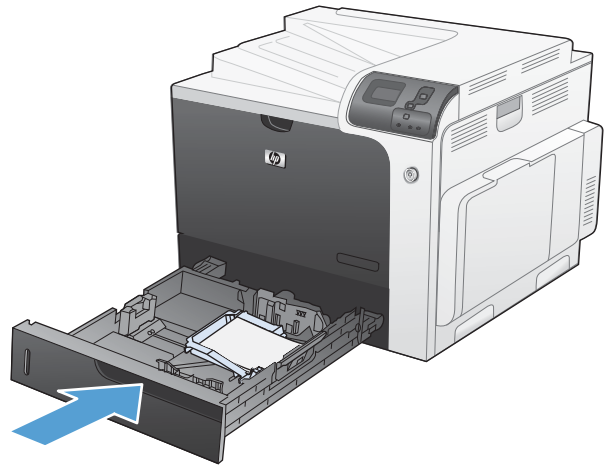
4. Load 10 x 15 cm (4 x 6 in) paper into the tray.



5. Adjust the paper-length and paper-width guides by squeezing the adjustment latches and adjusting the guides to the fully closed position.



6. Close the tray.



7. The control panel prompts you to set the paper size and type. Select 10 x 15 cm (4 x 6 in) size paper.

