

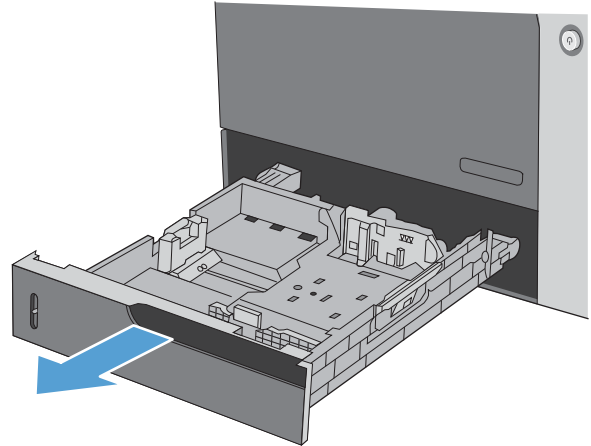


HP Color LaserJet Enterprise CP4020-CP4520 Series Printer

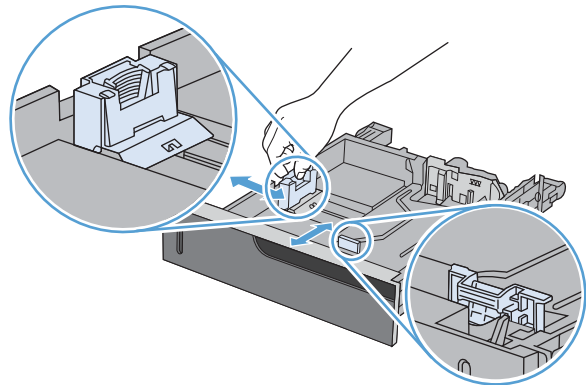


Load Tray 2 and optional Trays 3, 4, and 5 with custom-size paper

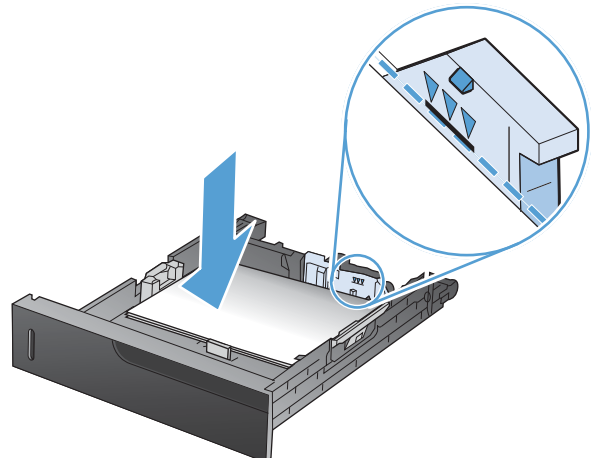
1. Open the tray.



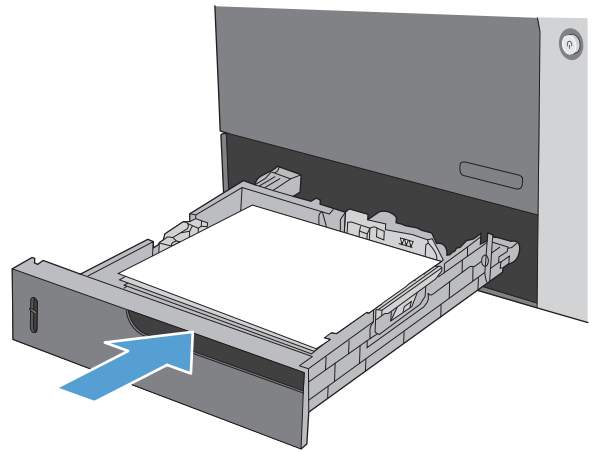
2. Adjust the paper-length and paper-width guides by squeezing the adjustment latches and sliding the guides to the size of the paper being used.



3. Load paper into the tray. Check the paper to verify the guides lightly touch the stack, but do not bend it.



4. Close the tray.



5. The control panel prompts you to set the paper size and type. Select the **CUSTOM** setting, and then configure the X and Y dimensions of the custom paper size.

NOTE: See the label in the paper tray, or the following illustration, to determine the X and Y dimensions.

