

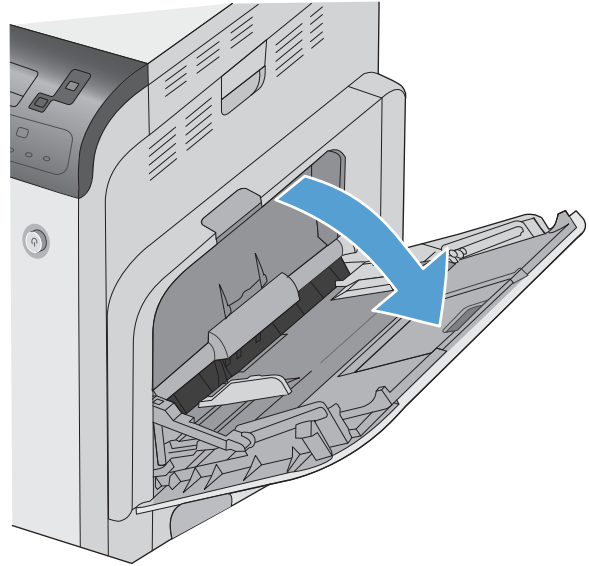


HP Color LaserJet Enterprise CP4020-CP4520 Series Printer

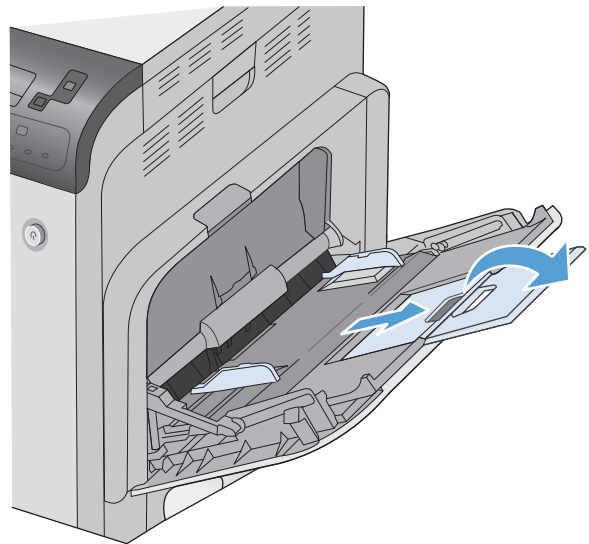


Load Tray 1

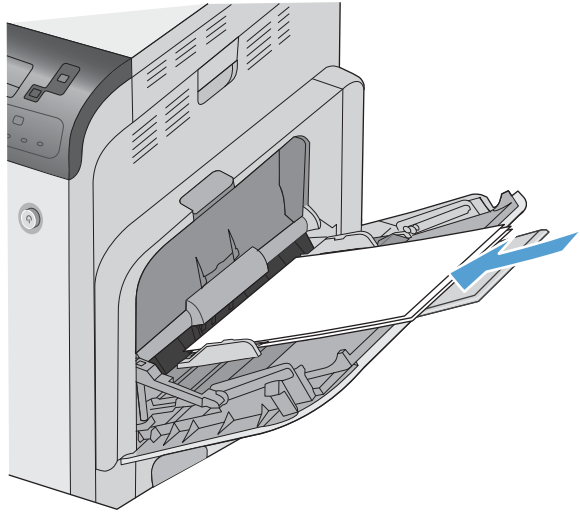
1. Open Tray 1.



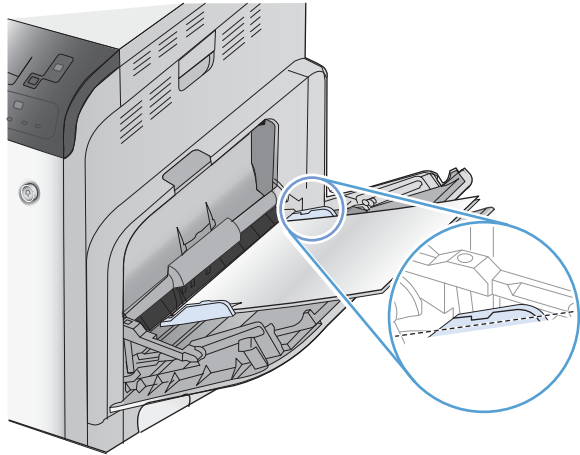
2. Fold out the tray extension to support the paper and set the side guides to the correct width.



3. Load paper in the tray.



4. Make sure the stack fits under the tabs on the guides and does not exceed the load-level indicators.



5. Adjust the side guides so that they lightly touch the paper stack but do not bend it.

