

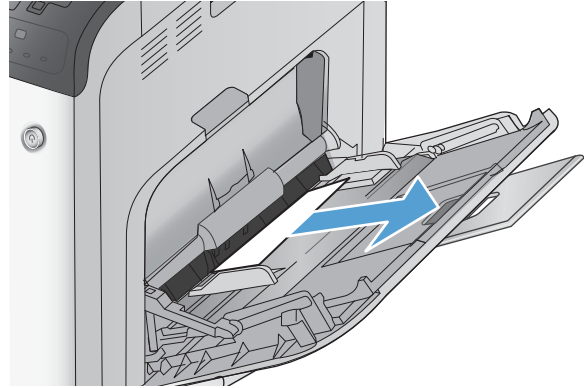


HP Color LaserJet Enterprise CP4020-CP4520 Series Printer

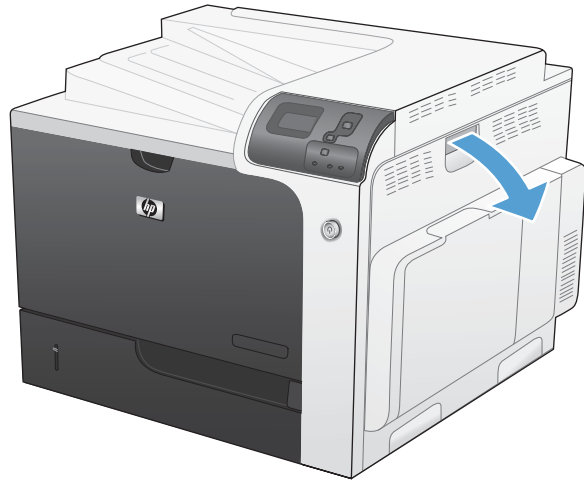


Clear jams in Tray 1

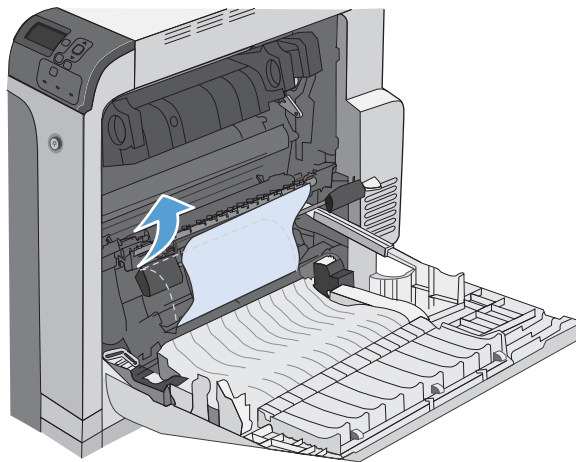
1. If jammed paper is visible in Tray 1, clear the jam by gently pulling the paper straight out. Press the **OK** button to clear the message.



2. If you cannot remove the paper, or if no jammed paper is visible in Tray 1, close Tray 1 and open the right door.



3. Gently pull the paper out of the pick up area.



4. Close the right door.

