

HP Color LaserJet Enterprise X57945, X654, X677 - Replace the toner collection unit (TCU)

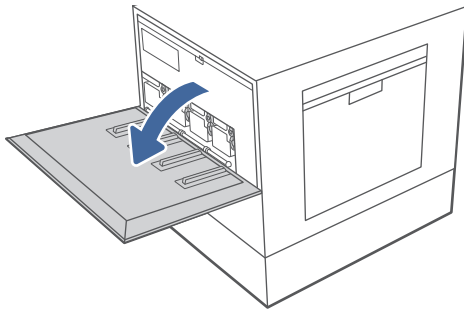
Replace the toner collection unit if you receive a message on the printer, or if you have print quality problems.

Replace the toner collection unit (TCU)

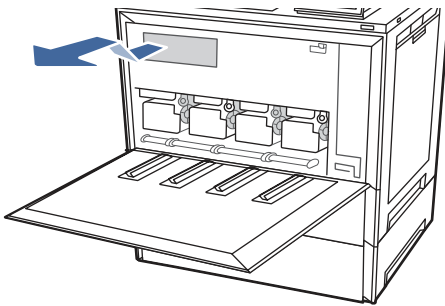
Follow these steps to replace the toner collection unit (TCU).


 [View a video of how to replace the toner collection unit \(TCU\)](#)

1. Open the front door.

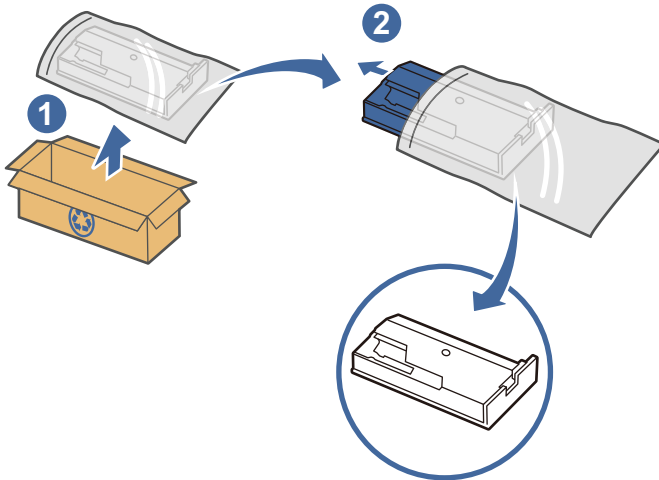


2. Lift the TCU slightly and then pull it out of the printer.

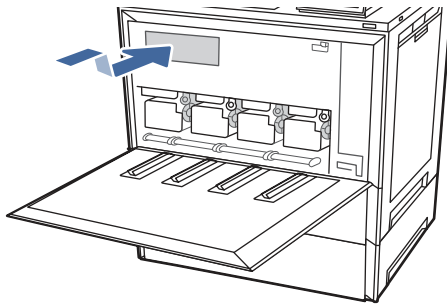


 **NOTE:** Maintain the position of the TCU as you pull it out from the printer. This will ensure that you do not spill any waste toner in the printer. Place the unit into the clear plastic bag the new TCU was packaged in.

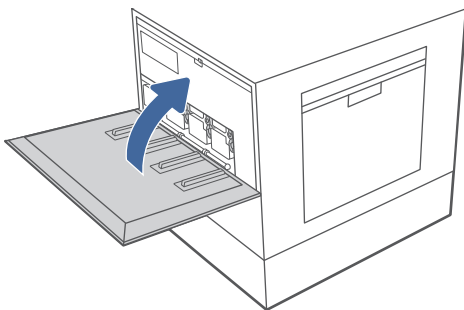
3. Remove the new TCU from its package. Save all packaging for recycling the used TCU.



4. Install the new TCU by inserting it into the printer, and then lifting slightly to make sure it pushes all the way in.



5. Close the front door.



6. Pack the used TCU into the box that the new TCU came in. See the enclosed recycling guide for information about recycling.

In the U.S. and Canada, a pre-paid shipping label is included in the box. In other countries/regions, go to www.hp.com/recycle to print a pre-paid shipping label.

Adhere the pre-paid shipping label to the box, and return the used TCU to HP for recycling.

