



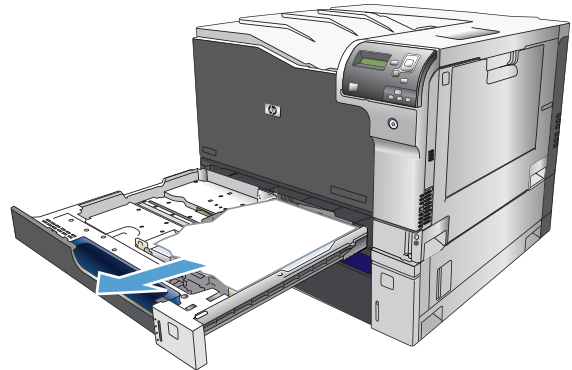
# HP LaserJet Enterprise CP5520 Series Printer



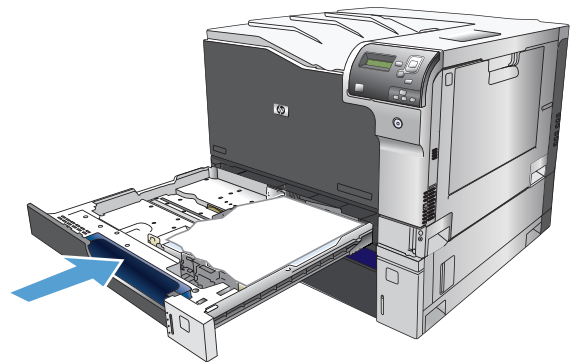
## Clear jams from Tray 2, Tray 3, or an optional tray

△ **CAUTION:** Opening a tray when paper is jammed can cause the paper to tear and leave pieces of paper in the tray, which might cause another jam. Be sure to clear jams from the upper and lower right door before opening a tray.

1. Open the tray and make sure that the paper is stacked correctly. Remove any jammed or damaged sheets of paper. To access jammed paper from the tray cavity, remove the tray from the product.



2. Close the tray.



3. If the jam is in Tray 3, you also can open the door on the right side of the tray, remove the jammed paper, and then close the door.

